

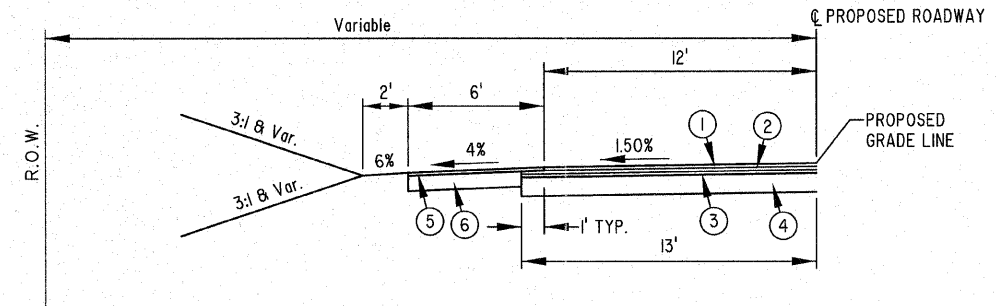
ROUTE NO.	SECTION	COUNTY	TOTAL SHEETS	SHEET NO.
FAU 8390	04-00084-01-PV	EFFINGHAM	139	8
FED. ROAD DIST. NO. 7	ILLINOIS			

CONTRACT #95639

PAVING LEGEND

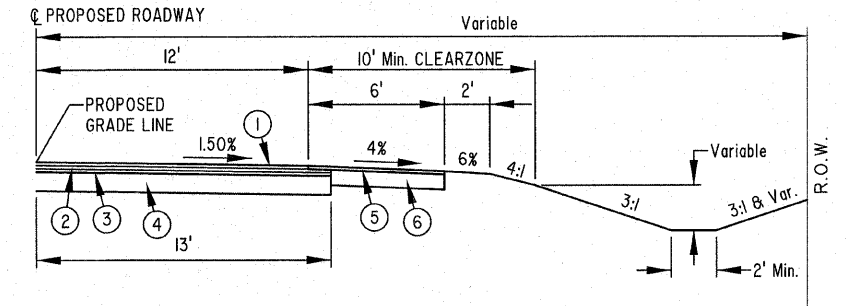
- ① HOT-MIX ASPHALT SURFACE COURSE, MIX "C", N70, 1 3/4"
- ② HOT-MIX ASPHALT BINDER COURSE, IL-19.0, N70, 1 3/4"
- ③ HOT-MIX ASPHALT BINDER COURSE, IL-19.0, N70, 1 3/4"
- ④ 10" SOIL CEMENT BASE COURSE, CONSIST OF 5" AGGREGATE BASE COURSE, TYPE A AND 5" OF SOIL ALL MIXED WITH 12% CEMENT (BY VOLUME)
- ⑤ HOT-MIX ASPHALT SURFACE COURSE, MIX "C", N70, 1 3/4"
- ⑥ AGGREGATE BASE COURSE, TYPE A, 8"

Revised 5-31-2011



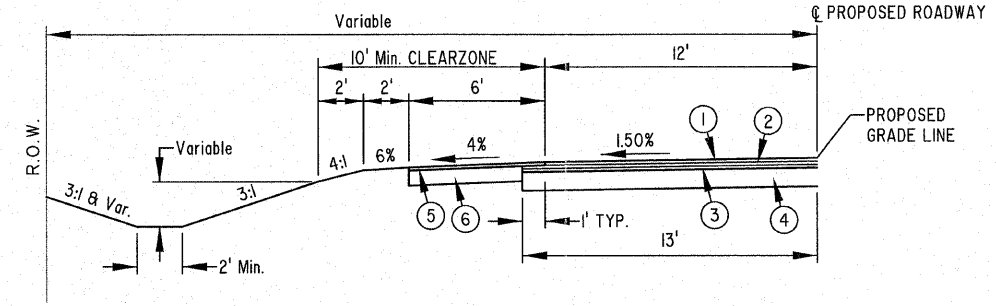
TYPICAL SECTION - EVERGREEN AVENUE

LT STA. 41+12.40 TO STA. 49+75.00
LT STA. 50+50.00 TO STA. 52+50.00



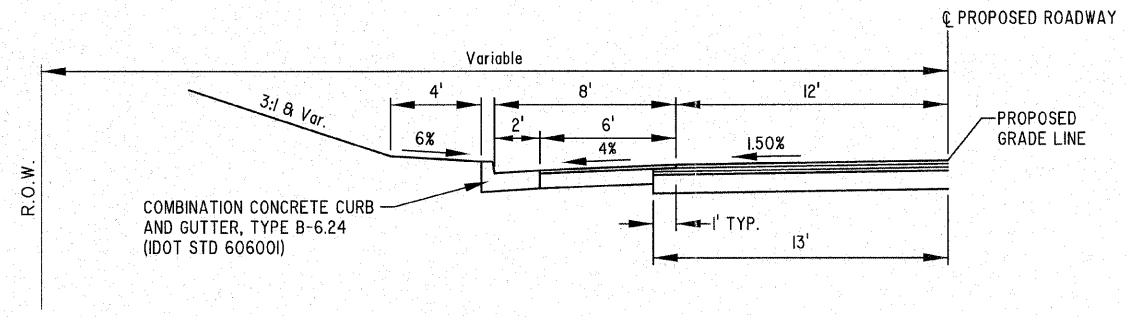
TYPICAL SECTION - EVERGREEN AVENUE

RT STA. 41+12.40 TO STA. 54+61.75



TYPICAL SECTION - EVERGREEN AVENUE

LT STA. 49+75.00 TO STA. 50+50.00



TYPICAL SECTION - EVERGREEN AVENUE

LT STA. 52+50.00 TO STA. 54+61.75

STA. 41+12.40 TO STA. 54+61.75

MILANO & GRUNLOH ENGINEERS, LLC
 84 WEST WASHINGTON
 P.O. BOX 897
 EFFINGHAM, ILLINOIS 62401
 PHONE: (217) 547-7262
 (630) 677-2314
 FAX #: (217) 542-3433

TYPICAL SECTIONS
EVERGREEN AVENUE
COUNTY OF EFFINGHAM, ILLINOIS

File name: S:\DWG\05\05227\dwg\Typical.dwg
Plot date: 02/08/11 at 16:00