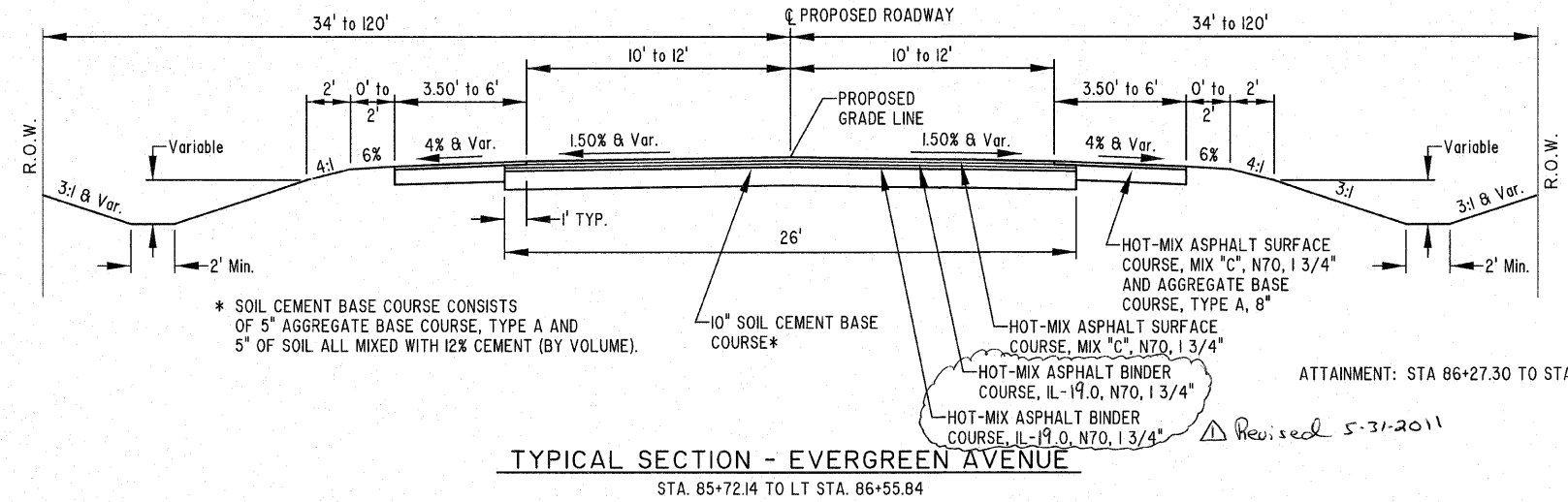
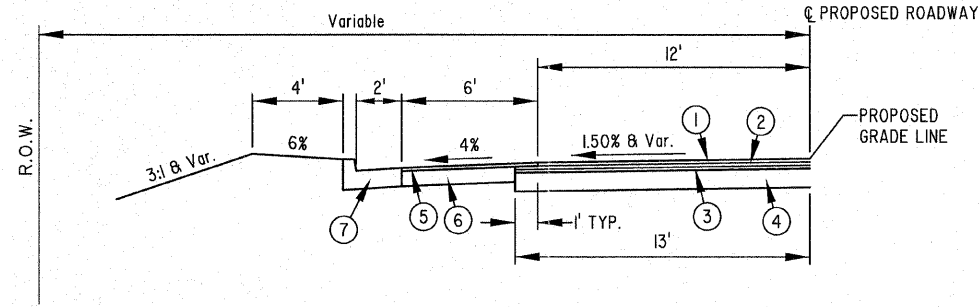


|                          |                               |                     |                     |                 |
|--------------------------|-------------------------------|---------------------|---------------------|-----------------|
| ROUTE NO.<br>FAU<br>8390 | SECTION<br>04-00084-<br>01-PV | COUNTY<br>EFFINGHAM | TOTAL SHEETS<br>139 | SHEET NO.<br>11 |
| FED. ROAD DIST. NO. 7    |                               | ILLINOIS            | CONTRACT #95639     |                 |

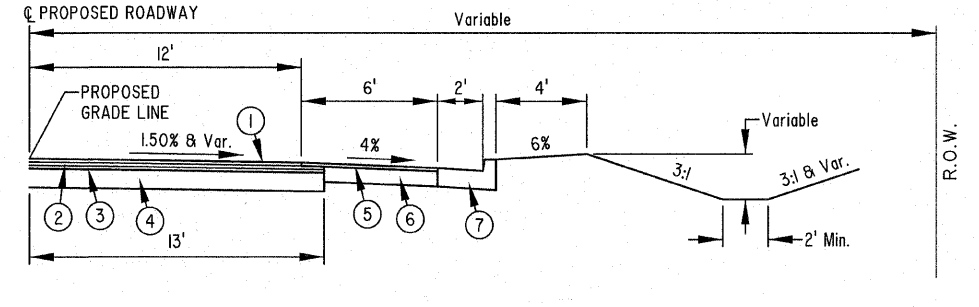


TYPICAL SECTION - EVERGREEN AVENUE  
STA. 85+72.14 TO LT STA. 86+55.84



ATTAINMENT: STA 86+27.30 TO STA 87+41.30

TYPICAL SECTION - EVERGREEN AVENUE  
LT STA. 86+55.84 TO STA. 87+12.80



ATTAINMENT: STA 86+27.30 TO STA 87+41.30

TYPICAL SECTION - EVERGREEN AVENUE  
RT STA. 86+55.84 TO STA. 87+12.80

- PAVING LEGEND**
- ① HOT-MIX ASPHALT SURFACE COURSE, MIX "C", N70, 1 3/4"
  - ② HOT-MIX ASPHALT BINDER COURSE, IL-19.0, N70, 1 3/4"
  - ③ HOT-MIX ASPHALT BINDER COURSE, IL-19.0, N70, 1 3/4"
  - ④ 10" SOIL CEMENT BASE COURSE, CONSIST OF 5" AGGREGATE BASE COURSE, TYPE A AND 5" OF SOIL ALL MIXED WITH 12% CEMENT (BY VOLUME)
  - ⑤ HOT-MIX ASPHALT SURFACE COURSE, MIX "C", N70, 1 3/4"
  - ⑥ AGGREGATE BASE COURSE, TYPE A, 8"
  - ⑦ COMBINATION CONCRETE CURB AND GUTTER, TYPE B-6.24
- Revised 5-31-2011

STA. 85+72.14 TO STA. 87+12.80

|  |   |                               |
|--|---|-------------------------------|
|  | MILANO & GRUNLOH ENGINEERS, LLC                                 | TYPICAL SECTIONS              |
|  | 84 WEST WASHINGTON<br>P.O. BOX 897<br>EFFINGHAM, ILLINOIS 62401 | EVERGREEN AVENUE              |
|  | PHONE: (217) 347-7262<br>(800) 677-2714                         | COUNTY OF EFFINGHAM, ILLINOIS |
|  | FAX #: (217) 342-3453   |                               |
| <small>File name: S:\DWG\05\05227.dwg\Typical.dwg<br/>Plot date: 02/08/11 at 16:00</small> |   |                               |