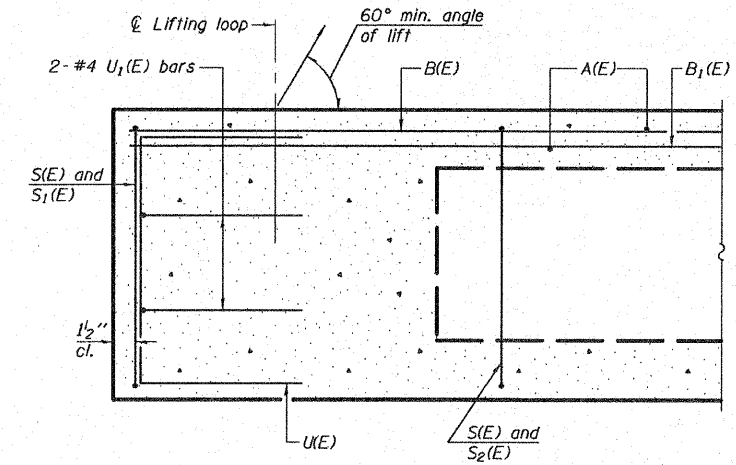
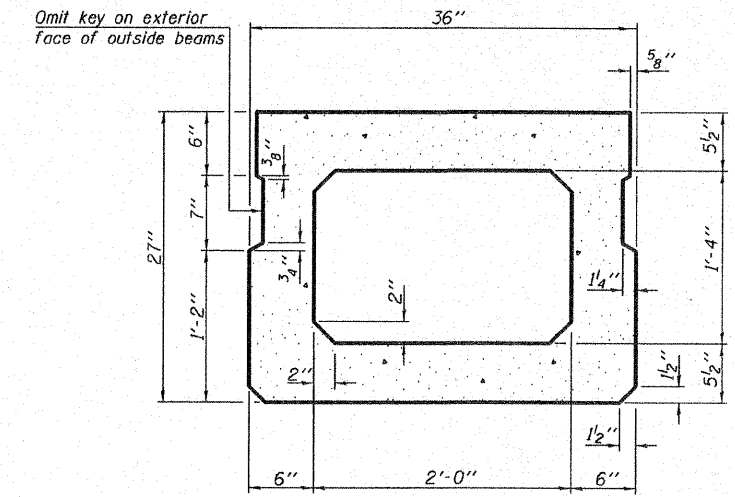


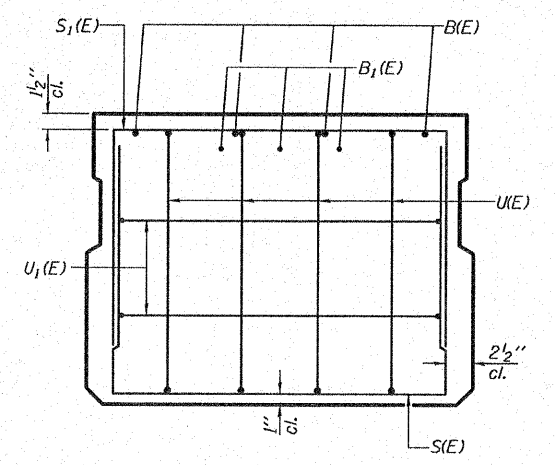
**RAIL POST SPACING ON OUTSIDE BEAMS - ELEVATION VIEW**  
See sheet 2 of 7 for Railing Details



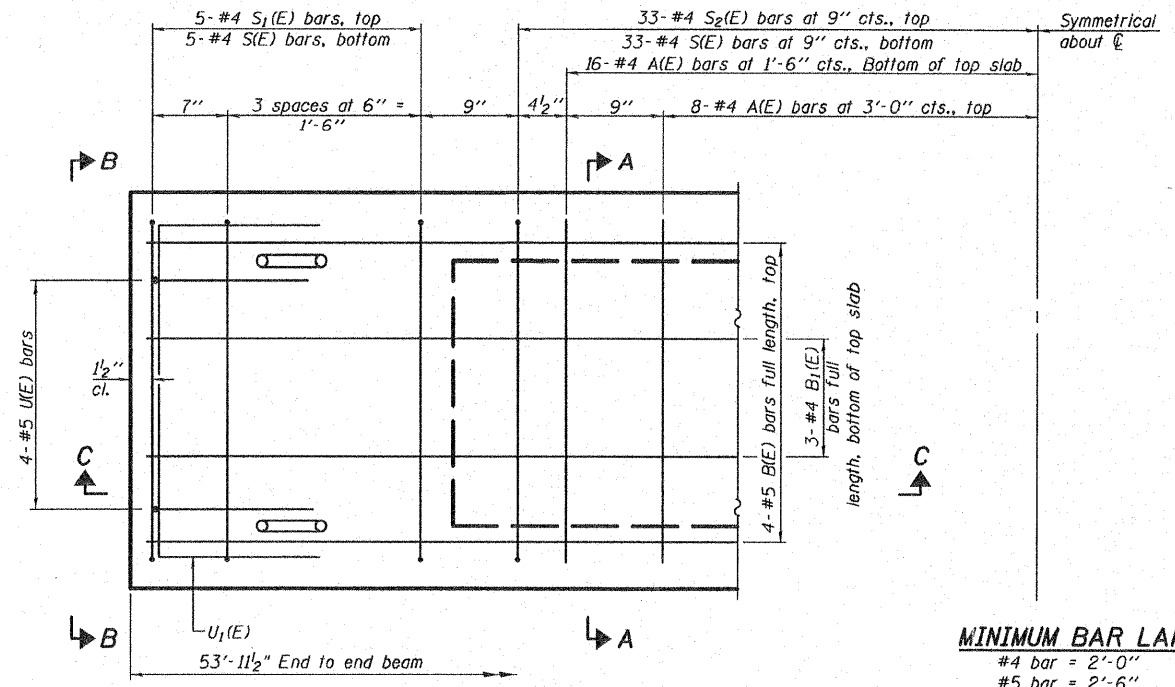
**SECTION C-C**



**SECTION A-A**  
(Showing dimensions)



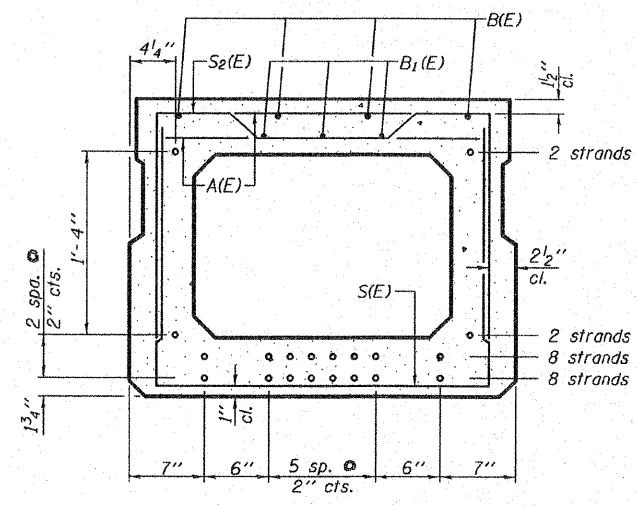
**VIEW B-B**



**PLAN VIEW**

**MINIMUM BAR LAP**  
#4 bar = 2'-0"  
#5 bar = 2'-6"

Note: Spacing of S(E) and S2(E) bars may be adjusted up to 4" in the immediate area of the transverse tie diaphragms to miss the block outs for the transverse ties.



**SECTION A-A**

(Showing reinforcement and permissible strand locations)  
Note: Place the number of strands specified in each row symmetrically about the centerline of beam in the permissible strand locations shown.

**BAR LIST**  
**ONE BEAM ONLY**  
(For information only)

Bar	No.	Size	Length	Shape
A(E)	48	#4	2'-7"	—
B(E)	4	#5	53'-9"	—
B1(E)	3	#4	53'-9"	—
S(E)	76	#4	6'-5"	⌊
S1(E)	10	#4	5'-11"	⌊
S2(E)	66	#4	6'-2"	⌊
U(E)	8	#5	4'-6"	⌊
U1(E)	4	#4	5'-0"	⌊

Note: See sheet 4 of 7 for additional details and Bill of Material.

**27" X 36" PPC DECK BEAMS**  
**STRUCTURE NO. 025-3223**

DESIGNED	SCD
CHECKED	DRB
DRAWN	THW
CHECKED	DRB

SHEET NO. 3 of 7 SHEETS	RTE.	SECTION	COUNTY	TOTAL SHEETS	SHEET NO.
	CH 10	04-00084-01-PV	EFFINGHAM	139	58
	FED. ROAD DIST. NO.			ILLINOIS FED. AID PROJECT	
			CONTRACT NO. 95639		