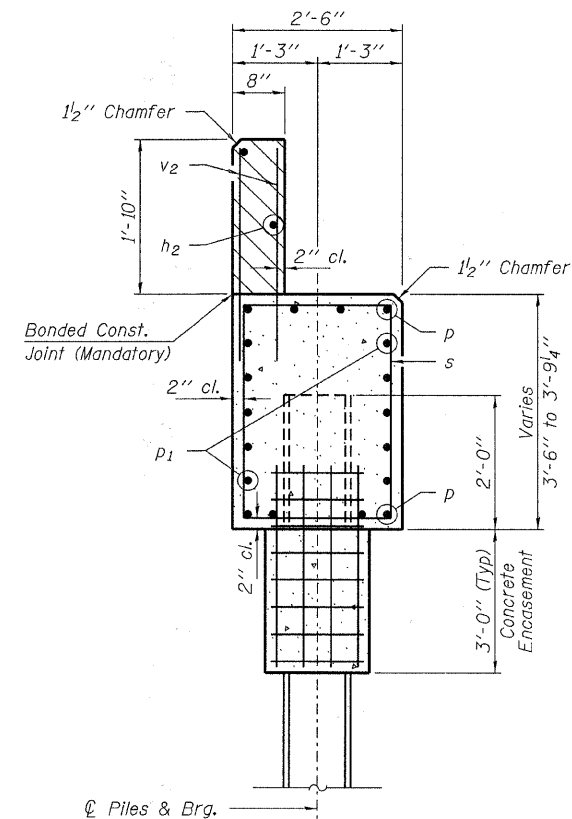
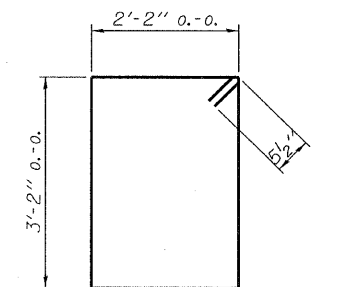


PLAN

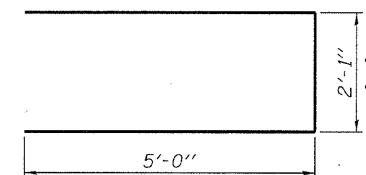


SECTION A-A

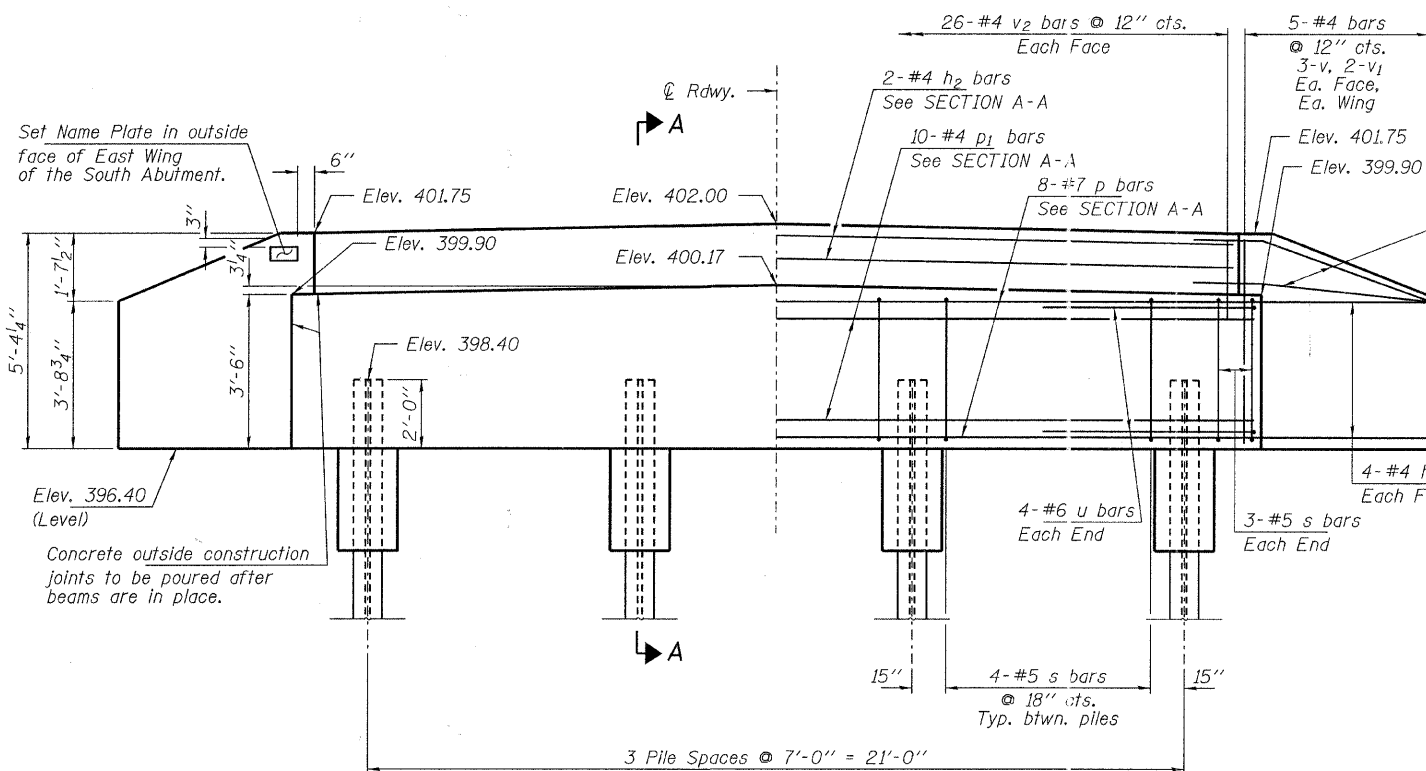
Hatched area to be poured after beams are in place.



BAR s



BAR u



ELEVATION

Note: Extend h bars into abutment cap.

Fan 2-#4 h bars (B.F.)
Fan 2-#4 h1 bars (F.F.)
Each Wing Bend in field.

PILE DATA

Type ----- Steel HPI0x42
No. Req'd. (2 Abutments) ----- 8
Factored Resistance Available (Rf) ----- 157 Kips/Pile (S. Abut.)
184 Kips/Pile (N. Abut.)
Nominal Required Bearing (Rn) ----- 285 Kips/Pile (S. Abut.)
335 Kips/Pile (N. Abut.)
Est. Length ----- 55 Ft/Pile

Notes: * Includes one test pile to be driven in permanent location at the South Abutment.

The Steel H-Piles shall be according to AASHTO M270 Grade 50.

The test piles shall be driven to 110 percent of the Nominal Required Bearing indicated in the pile data information.

BILL OF MATERIAL - 2 ABUTS.

BAR	NO.	SIZE	LENGTH	SHAPE
h	40	#4	5'-6"	—
h1	8	#4	4'-0"	—
h2	4	#4	25'-2"	—
p	16	#7	25'-2"	—
p1	20	#4	25'-2"	—
s	36	#5	11'-7"	□
u	16	#6	12'-1"	—
v	24	#4	4'-6"	—
v1	16	#4	3'-6"	—
v2	104	#4	2'-8"	—
Concrete Structures			Cu. Yd.	22.0
Concrete Encasement			Cu. Yd.	2.8
Reinforcement Bars			Pound	2,420
Steel Piles HPI0x42			Foot	385
Test Pile HPI0x42			Each	1
Name Plates			Each	1

FILE NAME = 100258-shr-bridge.dgn
 USER NAME =
 DESIGNED - V.J.H.
 CHECKED - S.W.M.
 DRAWN - D.A.B.
 CHECKED - S.W.M.
 PLOT SCALE =
 PLOT DATE = 4/12/2011

DESIGNED - V.J.H.
 CHECKED - S.W.M.
 DRAWN - D.A.B.
 CHECKED - S.W.M.
 REVISED -
 REVISED -
 REVISED -
 REVISED -

STATE OF ILLINOIS
 WABASH COUNTY HIGHWAY DEPARTMENT

ABUTMENTS
 STRUCTURE NO. 093-3134

SHEET NO. 6 OF 9 SHEETS

T.R.	SECTION	COUNTY	TOTAL SHEETS	SHEET NO.
52	06-04114-00-BR	WABASH	13	10
ROAD DISTRICT #4			CONTRACT NO. 95653	
ILLINOIS FED. AID PROJECT				