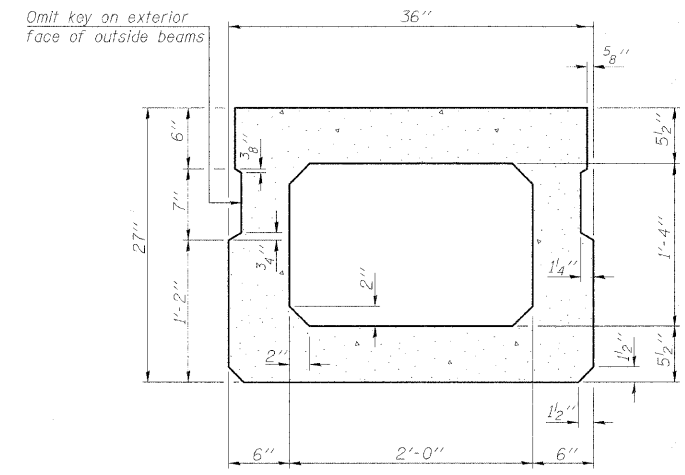
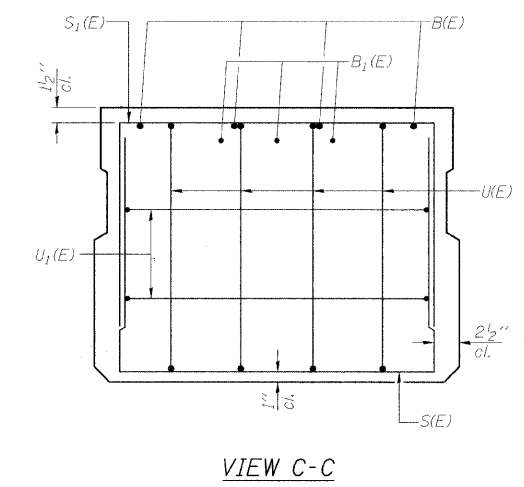


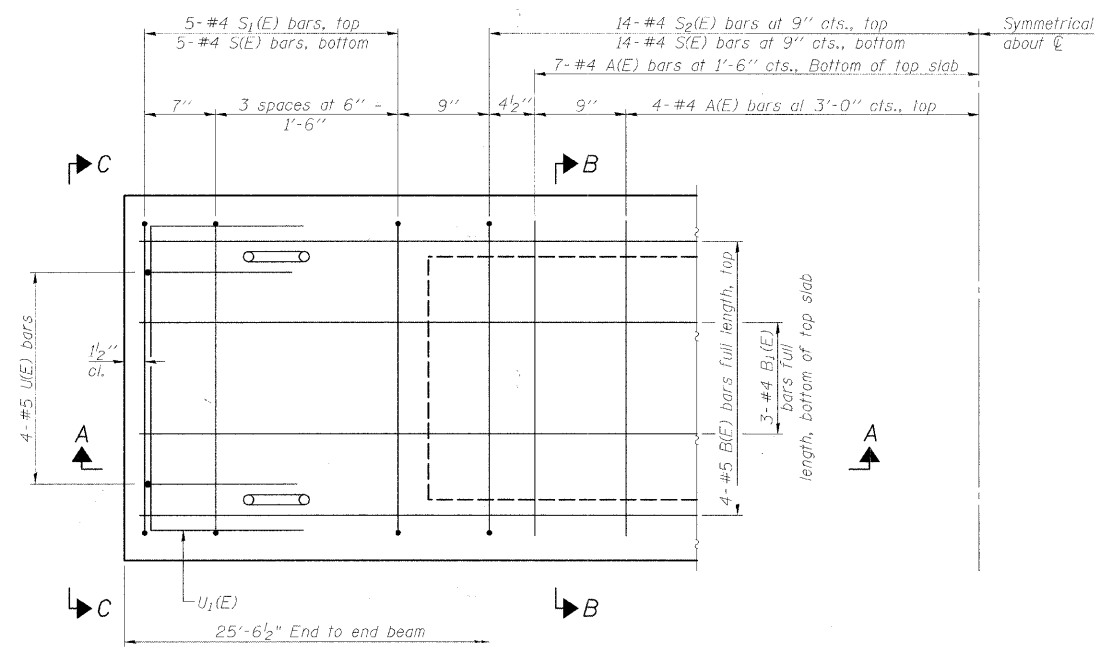
SECTION A-A



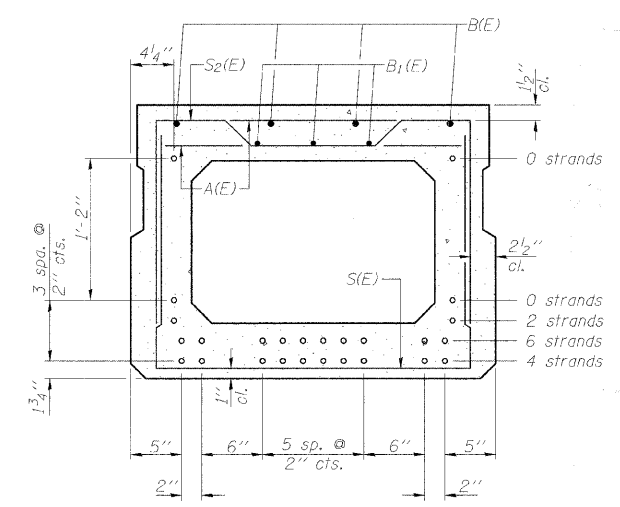
SECTION B-B  
(Showing dimensions)



VIEW C-C



PLAN VIEW



SECTION B-B

(Showing reinforcement and permissible strand locations)  
Note: Place the number of strands specified in each row symmetrically about the centerline of beam in the permissible strand locations shown.

**BAR LIST**  
**ONE BEAM ONLY**  
(For information only)

Bar	No.	Size	Length	Shape
A(E)	21	#4	2'-7"	—
B(E)	4	#5	25'-3"	—
B1(E)	3	#4	25'-3"	—
S(E)	37	#4	6'-5"	└┘
S1(E)	10	#4	5'-11"	└┘
S2(E)	27	#4	6'-2"	└┘
U(E)	8	#5	4'-6"	└┘
U1(E)	4	#4	5'-0"	└┘

Note: See sheet 3 of 13 for additional details and Bill of Material.

Note: Spacing of S(E) and S2(E) bars may be adjusted up to 4" in the immediate area of the transverse tie diaphragms to miss the block outs for the transverse ties.

**MINIMUM BAR LAP**  
#4 bar = 2'-0"  
#5 bar = 2'-6"

**27" x 36" PPC DECK BEAM**  
**STRUCTURE NO. 058-9201**

PPC DECK BEAM (SPANS 1 AND 3)			
Date	Designed DCS	TR-939 (PARK DRIVE) OVER STEVENS CREEK SECTION 10-P4000-00-BR DECATUR PARK DISTRICT STA. 14+97.71 PROP. STR. NO. 058-9201	Sheet No.
Revisions	Drawn BKN		2
	Checked KWB		of 13
	Approved KWB		URS Job No. 36432943
Prepared by:	<b>URS</b> 345 East Ash Avenue Decatur, IL 62526		