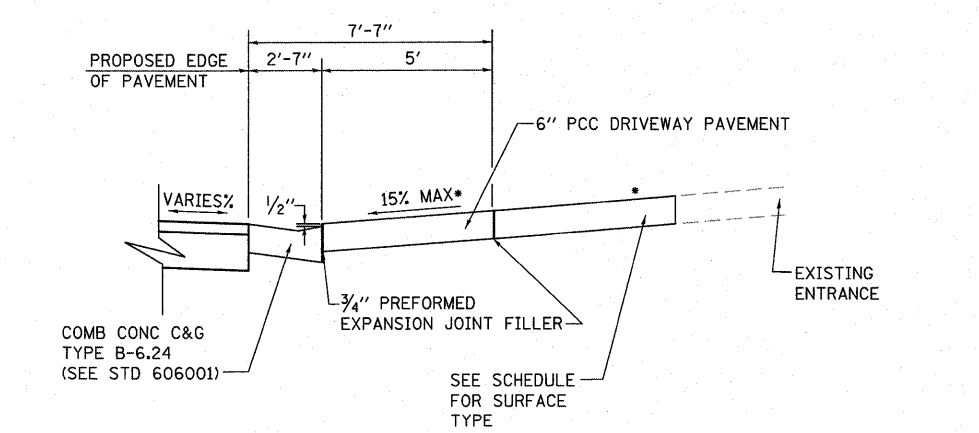
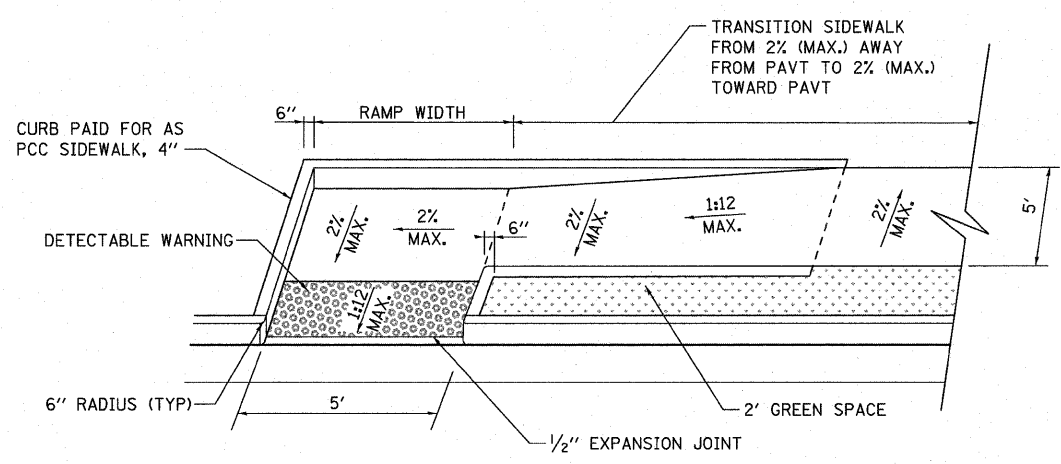


PRIVATE ENTRANCE (P.E.)
(NOT TO SCALE)

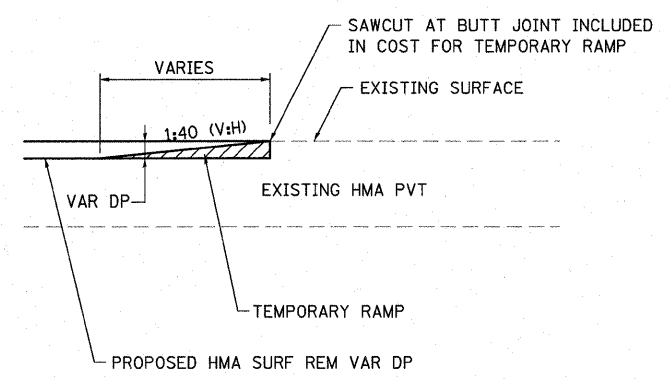


SECTION A-A
(NOT TO SCALE)

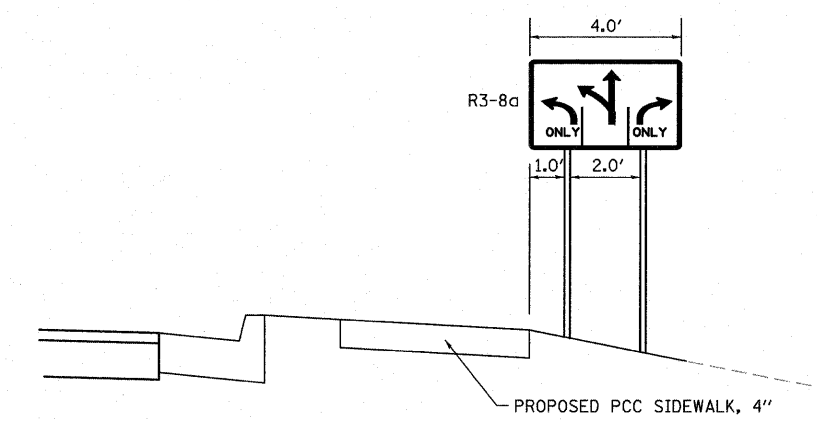
• SEE CROSS SECTIONS FOR SLOPE



SIDEWALK RAMP DETAIL
(NOT TO SCALE)

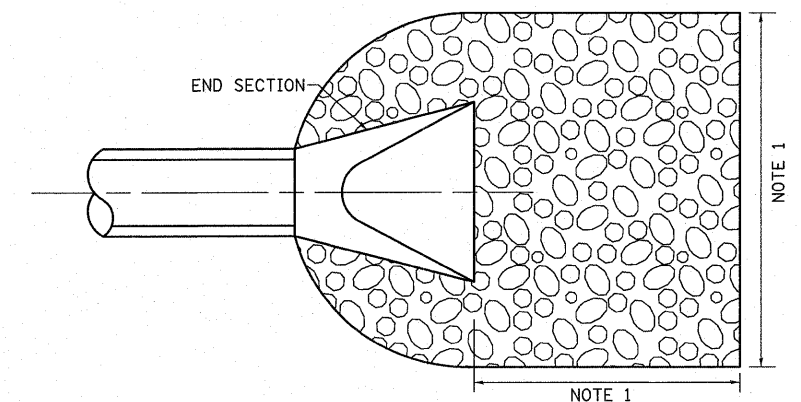
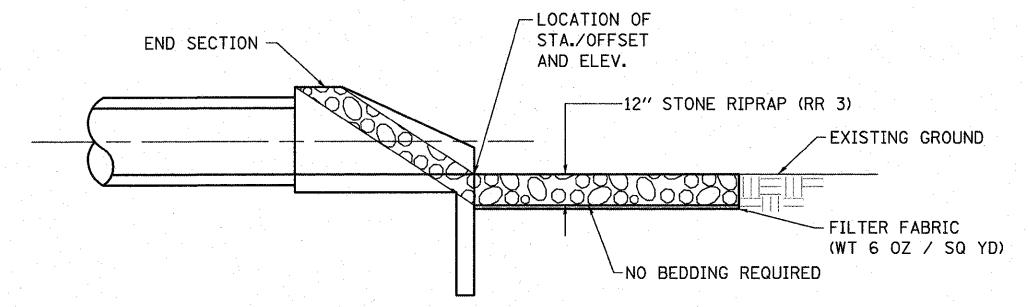


BUTT JOINT DETAIL
(NOT TO SCALE)



SIGN PLACEMENT DETAIL
(NOT TO SCALE)

- NOTES**
- SEE HIGHWAY STANDARD 720006 & STANDARD 729001 FOR SIGN PLACEMENT DETAILS



TYPICAL RIPRAP DETAIL
(NOT TO SCALE)

NOTE 1: SEE EROSION & SEDIMENT CONTROL SHEET FOR DIMENSIONS

| | | | | | | | | | | |
|--|-------------------|----------------|-----------|---|-----------------------------|---------------------------|---------------|-------------------------|--------------|--------------|
| FILE NAME = | USER NAME = randj | DESIGNED - TLC | REVISED - | STATE OF ILLINOIS DEPARTMENT OF TRANSPORTATION | CONSTRUCTION DETAILS | F.A.U. RTE. | SECTION | COUNTY | TOTAL SHEETS | SHEET NO. |
| hi:\p\28013\mcorstation\cadd sheets\082613-shr-details.dgn | | DRAWN - RGV | REVISED - | | | 9302 | 08-0047-00-PV | MADISON | 27 | 20 |
| PLOT SCALE = 20.0000' / IN. | | CHECKED - | REVISED - | | | S MAIN ST RECONSTRUCTION | | CONTRACT NO. 97467 | | |
| PLOT DATE = 4/21/2011 | | DATE - | REVISED - | | | SCALE: NTS | | SHEET NO. 1 OF 2 SHEETS | | STA. TO STA. |
| | | | | | | ILLINOIS FED. AID PROJECT | | | | |