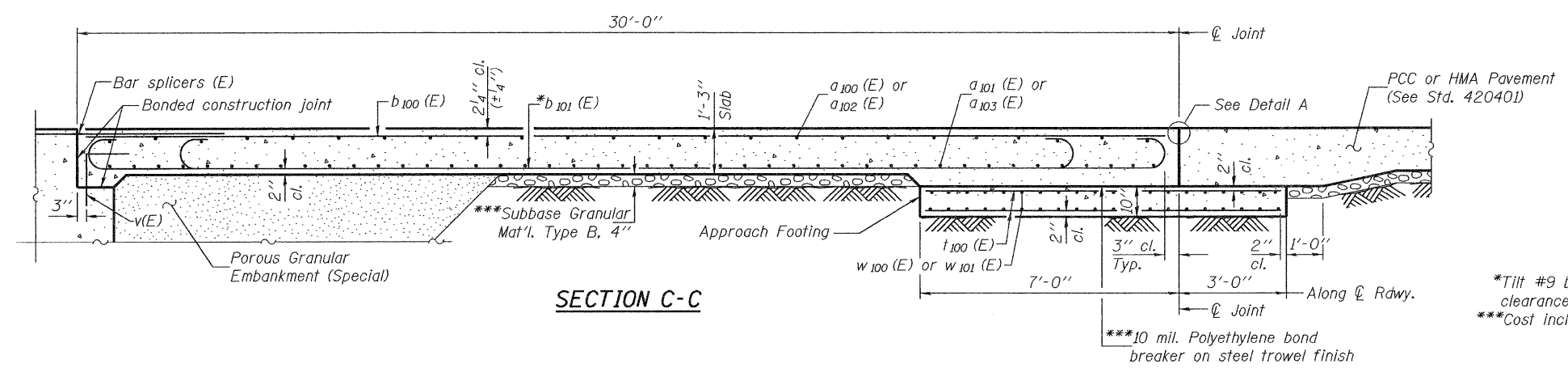
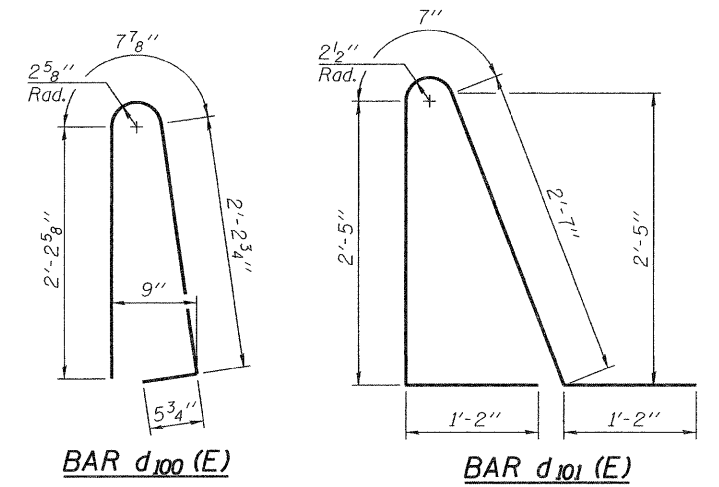
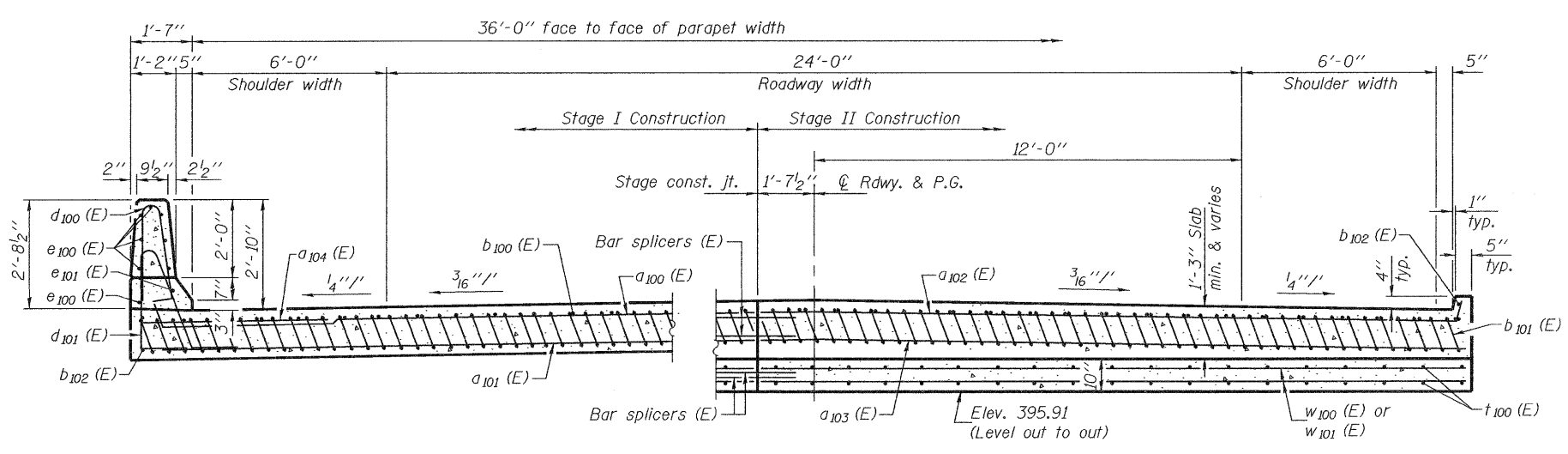


Notes:  
 See sheet 14 of 24 for Detail A and View B-B.  
 Approach slab and parapet concrete shall be paid for as Concrete Superstructure.  
 Approach footing concrete shall be paid for as Concrete Structures.  
 Reinforcement shall be paid for as Reinforcement Bars, Epoxy Coated.  
 For v(E) bar details, see sheet 12 of 24.  
 The approach footing maximum applied service bearing pressure (Qmax) = 2.0 ksf.  
 For bar splicer details, see sheet 21 of 24.  
 Cost of excavation for approach footing included with Concrete Structures.  
 For Porous Granular Embankment (Special) and drainage treatment details, see sheet 2 of 24.  
 For additional parapet details, see sheet 12 of 24.



\*Tilt #9 b<sub>101</sub> (E) bars as required to maintain clearance.  
 \*\*\*Cost included with Concrete Superstructure.



NEAR ABUTMENT

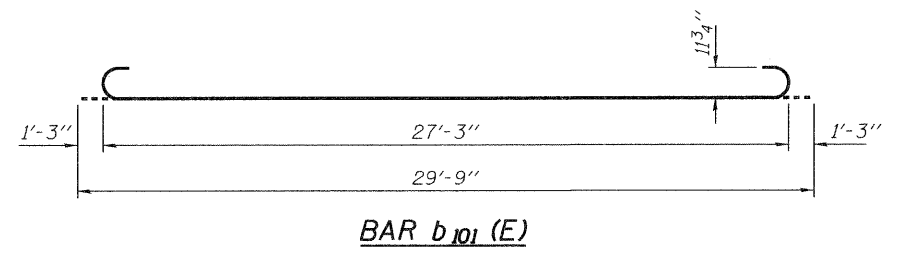
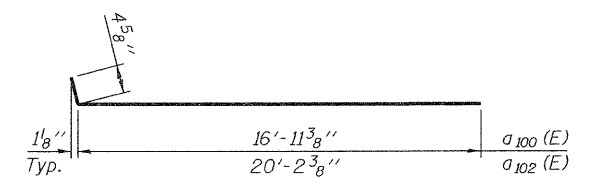
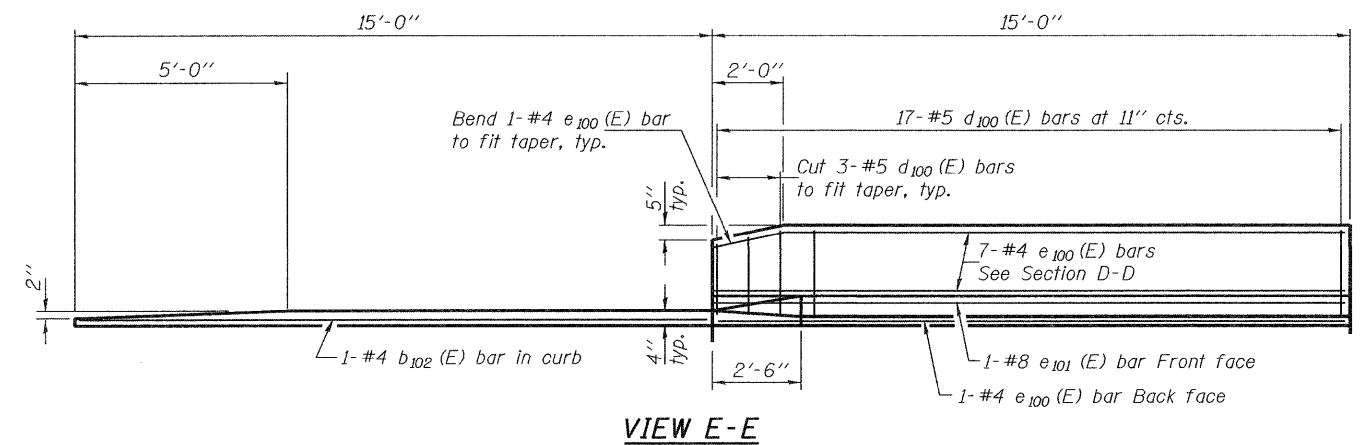
AT APPROACH FOOTING

**SECTION D-D**

(See Plan for dimensions not shown)

**TWO APPROACHES  
 BILL OF MATERIAL**

Bar	No.	Size	Length	Shape
a <sub>100</sub> (E)	50	#4	17'-4"	┌───┐
a <sub>101</sub> (E)	92	#5	17'-0"	┌───┐
a <sub>102</sub> (E)	50	#4	20'-7"	┌───┐
a <sub>103</sub> (E)	92	#5	20'-3"	┌───┐
a <sub>104</sub> (E)	48	#6	6'-6"	┌───┐
b <sub>100</sub> (E)	64	#4	29'-8"	┌───┐
b <sub>101</sub> (E)	184	#9	29'-9"	┌───┐
b <sub>102</sub> (E)	8	#4	14'-8"	┌───┐
d <sub>100</sub> (E)	68	#5	5'-7"	┌───┐
d <sub>101</sub> (E)	68	#5	7'-11"	┌───┐
e <sub>100</sub> (E)	32	#4	14'-8"	┌───┐
e <sub>101</sub> (E)	4	#8	14'-8"	┌───┐
t <sub>100</sub> (E)	164	#4	9'-8"	┌───┐
w <sub>100</sub> (E)	80	#5	17'-0"	┌───┐
w <sub>101</sub> (E)	80	#5	20'-3"	┌───┐
Concrete Superstructure			Cu. Yd.	121.3
Concrete Structures			Cu. Yd.	23.4
Reinforcement Bars, Epoxy Coated			Pound	30860



BA-0

7-1-10

DESIGNED - Michael D. Rolape  
 CHECKED - Jessica C. Forrest  
 DRAWN - h.t. duong  
 CHECKED - MDR/JCF

EXAMINED - *Thomas Damagala*  
 ENGINEER OF BRIDGE DESIGN  
 PASSED - *Carl*  
 ENGINEER OF BRIDGES AND STRUCTURES  
 DATE - 5/10/2011

STATE OF ILLINOIS  
 DEPARTMENT OF TRANSPORTATION

BRIDGE APPROACH SLAB DETAILS  
 STRUCTURE NO. 073-0036

SHEET NO. 15 OF 24 SHEETS

F.A.P. RTE.	SECTION	COUNTY	TOTAL SHEETS	SHEET NO.
869	1B-2	PERRY	27	119
				CONTRACT NO. 98797
ILLINOIS FED. AID PROJECT				