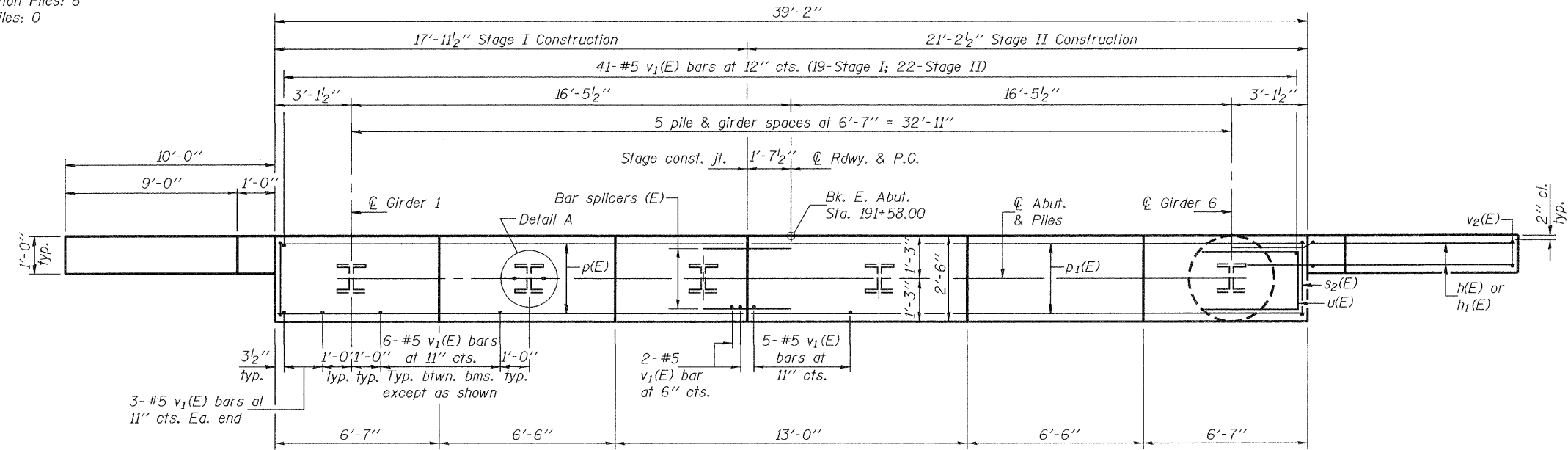


SEC. THRU ABUT.

**PILE DATA**

Type: Steel HP 14x73  
 Nominal Required Bearing: 578 Kips  
 Factored Resistance Available: 289 Kips  
 Est. Length: 91'  
 No. Production Piles: 6  
 No. Test Piles: 0

**ELEVATION**  
 (Looking east)

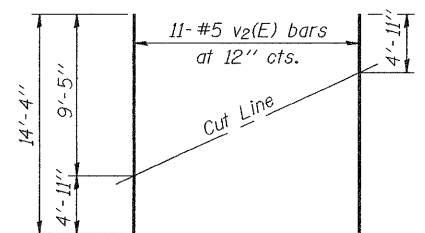


**PLAN**

**BILL OF MATERIAL**

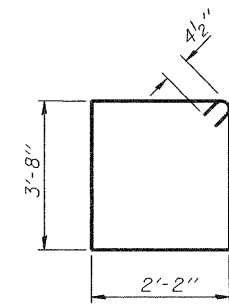
Bar	No.	Size	Length	Shape
h(E)	60	#7	12'-3"	—
h1(E)	4	#7	13'-4"	—
p(E)	11	#7	17'-7"	—
p1(E)	11	#7	20'-10"	—
s2(E)	37	#4	12'-5"	□
u(E)	10	#6	9'-9"	□
v1(E)	78	#5	4'-4"	—
v2(E)	22	#5	14'-4"	—
Structure Excavation		Cu. Yd.	113	
Concrete Structures		Cu. Yd.	20.7	
Reinforcement Bars, Epoxy Coated		Pound	3610	
Furnishing Steel Piles HP14x73		Foot	546	
Driving Piles		Foot	546	
Concrete Encasement		Cu. Yd.	3.3	
Anchor Bolts, 1" φ		Each	12	

Notes: Four steps monolithically with cap.  
 For details of piles and concrete encasement, see sheet 20 of 24.  
 For bar splicer details, see sheet 21 of 24.

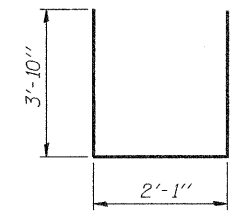


**FIELD CUTTING DIAGRAM**

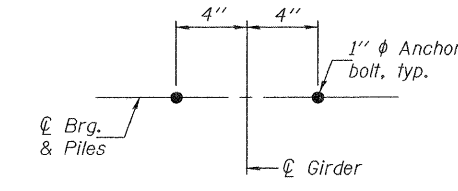
Order v2(E) full length. Cut as shown and use remainder of bars in opposite face.



**BAR s2(E)**



**BAR u(E)**



**DETAIL A**

DESIGNED - Michael D. Rolape  
 CHECKED - Jessica C. Forrest  
 DRAWN - h.t. duong  
 CHECKED - MDR/JCF

EXAMINED - *Thomas J. Donagale*  
 ENGINEER OF BRIDGE DESIGN  
 PASSED - *Paul [Signature]*  
 ENGINEER OF BRIDGES AND STRUCTURES  
 DATE - 5/10/2011

STATE OF ILLINOIS  
 DEPARTMENT OF TRANSPORTATION

EAST ABUTMENT  
 STRUCTURE NO. 073-0036

SHEET NO. 19 OF 24 SHEETS

F.A.P. RTE.	SECTION	COUNTY	TOTAL SHEETS	SHEET NO.
869	1B-2	PERRY	299	123
				CONTRACT NO. 98797
ILLINOIS FED. AID PROJECT				