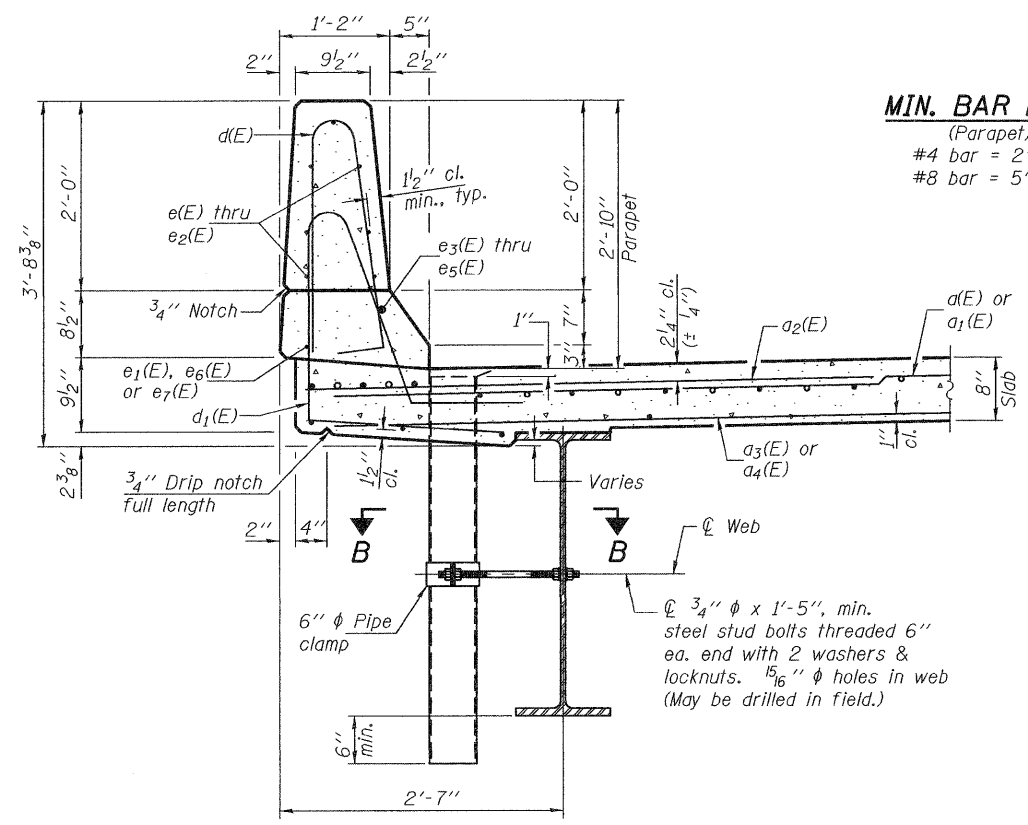
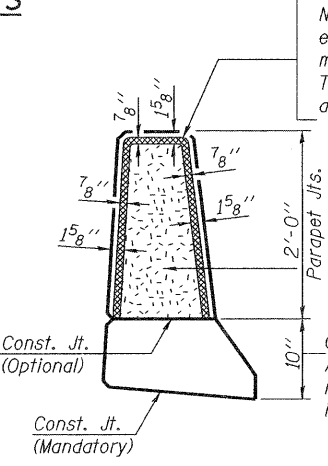


PARAPET ELEVATION
(Measured along inside face)



SECTION THRU PARAPET

MIN. BAR LAPS
(Parapet)
#4 bar = 2'-0"
#8 bar = 5'-2"



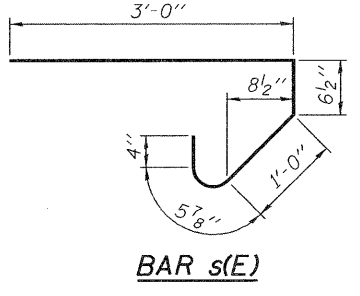
PARAPET JOINT DETAILS

Notes:
Fiberglass pipe shall conform to ASTM D 2996, with short-time rupture strength hoop tensile stress of 30,000 p.s.i. minimum.
Galvanize clamping device according to AASHTO M232. Cost of clamping device and inserts is included with Floor Drains.
Floor drains need not be painted.

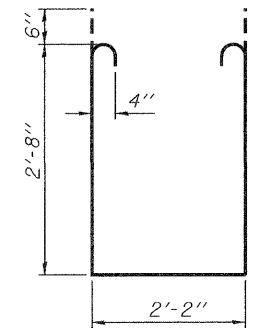
Non-staining gray one component non-sag elastomeric gun grade polyurethane sealant meeting the requirements of ASTM C-920, Type S, Grade NS, Class 25. Use T with a 5/8" backer rod.

1/2" Preformed Self-Expanding Cork Joint Filler according to Art. 1051.07 of the Std. Spec. Cost included with Concrete Superstructure.

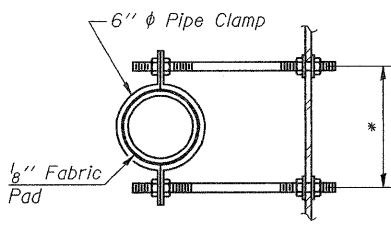
Construction joints 1/8" Aluminum sheet ASTM B 209 alloy 3003-H14 coated to minimize reaction with wet concrete. Cost included with Concrete Superstructure



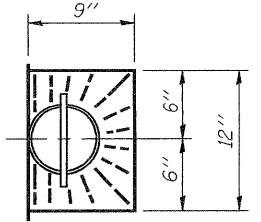
BAR s(E)



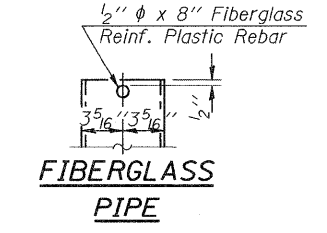
BAR s1(E)



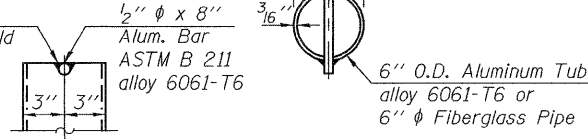
SECTION B-B
*Dimension as required by Pipe Clamp



TOP PLAN

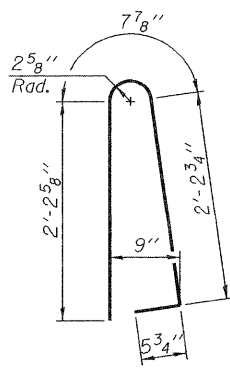


FIBERGLASS PIPE

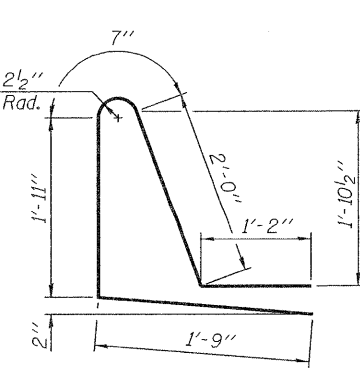


ALUMINUM TUBE

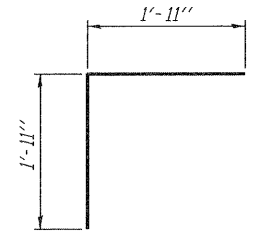
TOP PLAN
(Showing Aluminum Tube)



BAR d(E)



BAR d1(E)



BAR v(E)

SUPERSTRUCTURE BILL OF MATERIAL

Bar	No.	Size	Length	Shape
a(E)	225	#5	16'-7"	—
a1(E)	225	#5	21'-7"	—
a2(E)	450	#6	6'-6"	—
a3(E)	158	#5	20'-9"	—
a4(E)	158	#5	15'-9"	—
b(E)	215	#5	28'-10"	—
b1(E)	78	#6	27'-9"	—
b2(E)	228	#5	24'-7"	—
d(E)	286	#5	5'-7"	—
d1(E)	286	#5	7'-5"	—
e(E)	56	#4	15'-1"	—
e1(E)	64	#4	6'-4"	—
e2(E)	42	#4	14'-0"	—
e3(E)	4	#8	30'-5"	—
e4(E)	8	#8	6'-4"	—
e5(E)	4	#8	23'-11"	—
e6(E)	4	#4	30'-5"	—
e7(E)	4	#4	22'-6"	—
m(E)	10	#6	16'-10"	—
m1(E)	10	#6	21'-10"	—
m2(E)	4	#6	2'-3"	—
m3(E)	12	#6	5'-4"	—
m4(E)	16	#6	7'-6"	—
m5(E)	12	#6	9'-0"	—
s(E)	86	#5	5'-5"	—
s1(E)	76	#4	8'-6"	—
v(E)	82	#5	3'-10"	—
Reinforcement Bars, Epoxy Coated Concrete Superstructure		Pound	43170	
		Cu. Yds.	181.0	

Bars indicated thus 1 x 2-#5 etc. indicates 1 line of bars with 2 lengths per line.

*PERRY/FRANKLIN