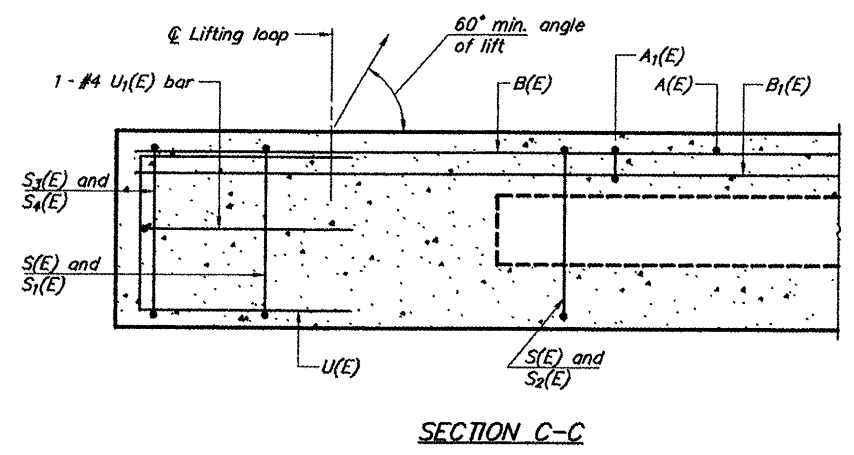
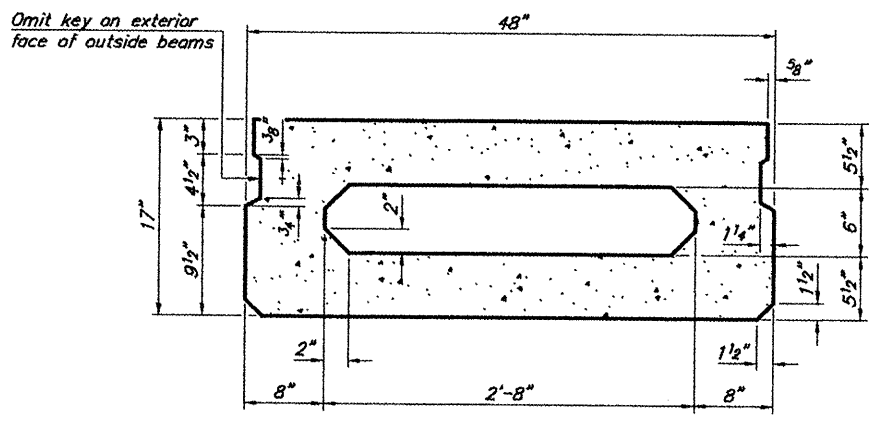


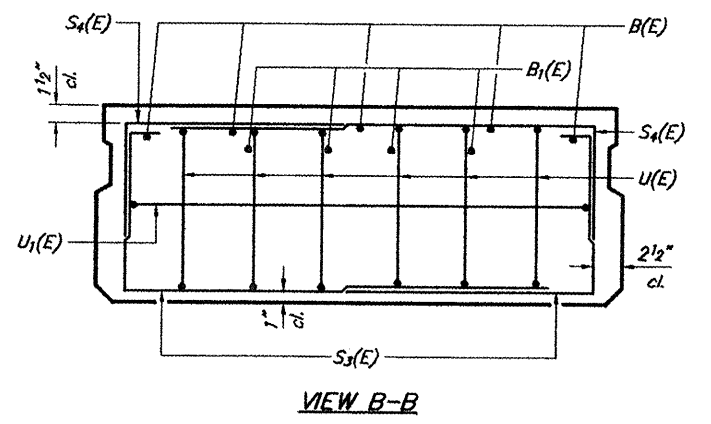
ROUTE	SECTION	COUNTY	TOTAL SHEETS	SHEET NO
TR 151A	08-08106-00-BR	JACKSON	12	5
PROJECT NO. BROS-077(54)		CONTRACT NO. 99357		



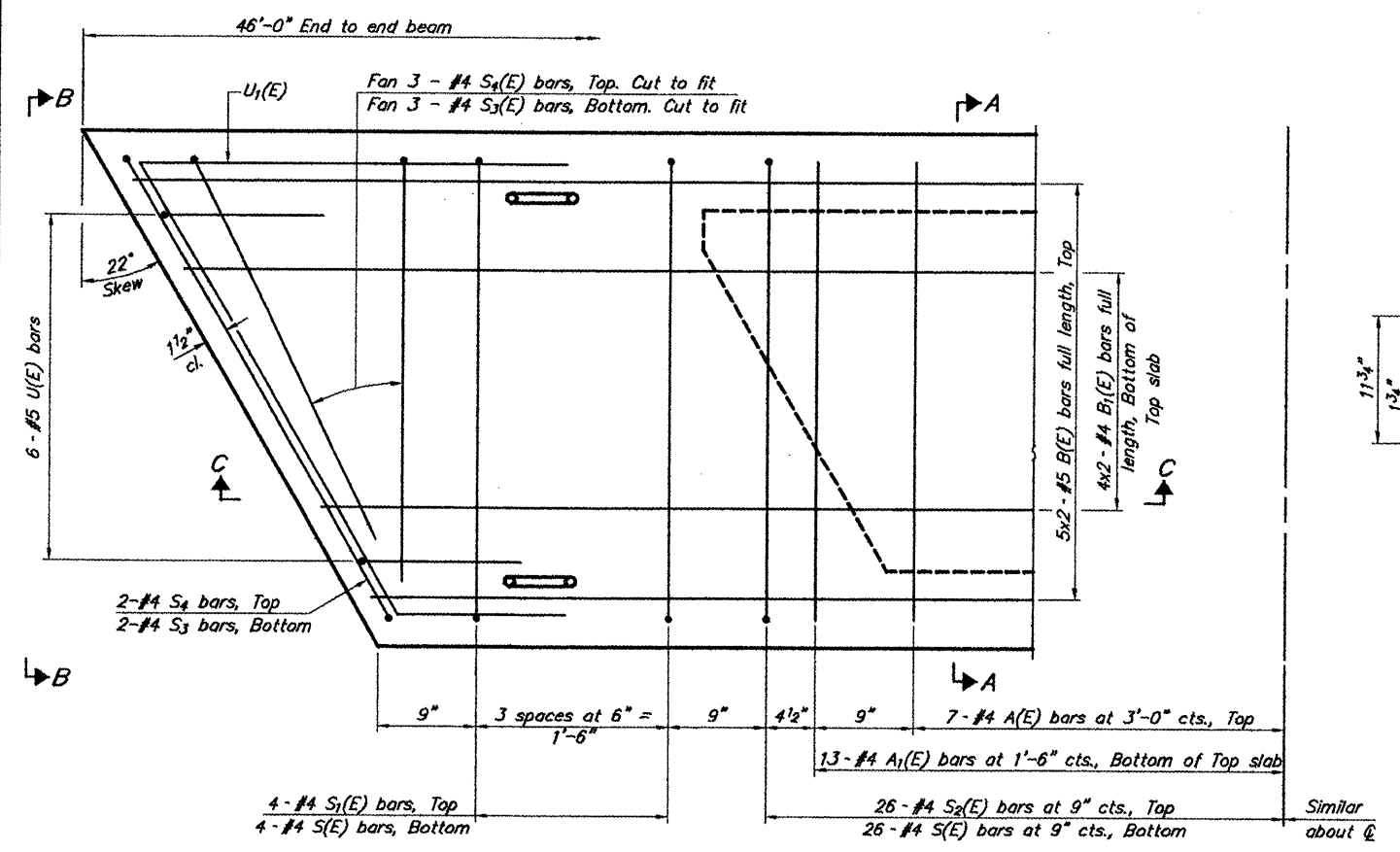
SECTION C-C



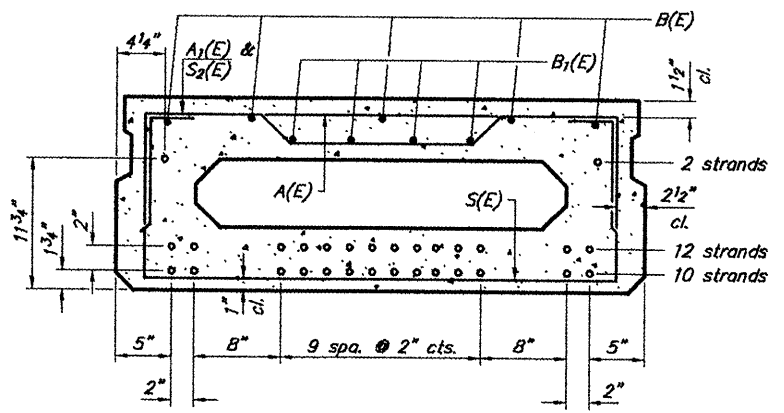
SECTION A-A
(Showing dimensions)



VIEW B-B



PLAN VIEW



SECTION A-A
(Showing reinforcement and permissible strand locations)
Note: Place the number of strands specified in each row symmetrically about the centerline of beam in the permissible strand locations shown.

BAR LIST
ONE BEAM ONLY
(For information only)

Bar	No.	Size	Length	Shape
A(E)	14	#4	3'-7"	—
A1(E)	26	#4	3'-10"	—
B(E)	10	#5	23'-11"	—
B1(E)	8	#4	23'-8"	—
S(E)	60	#4	6'-9"	□
S1(E)	8	#4	5'-3"	□
S2(E)	52	#4	5'-6"	□
S3(E)	10	#4	4'-5"	□
S4(E)	10	#4	3'-8"	□
U(E)	12	#5	3'-8"	□
U1(E)	2	#4	7'-9"	□

17" X 48" PPC DECK BEAM
TOWNSHIP ROUTE 151A (MORBER ROAD)
JOHNSON CREEK
SECTION 08-08106-00-BR
JACKSON COUNTY
STRUCTURE NO. 039-3269