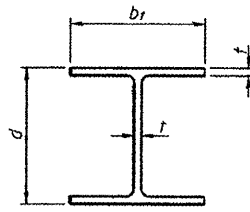


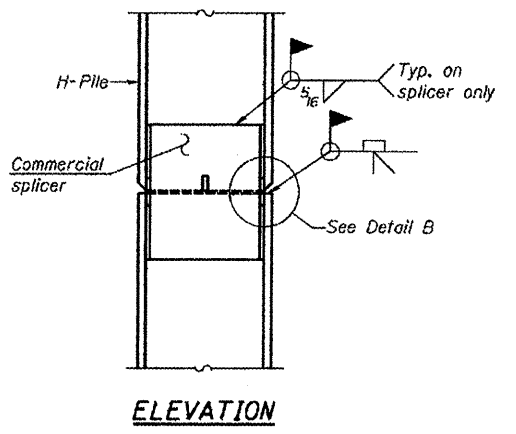
| ROUTE | SECTION | COUNTY | TOTAL SHEETS | SHEET NO. |
|--------------------------|----------------|---------|--------------------|-----------|
| TR 151A | 08-08106-00-BR | JACKSON | 12 | 10 |
| PROJECT NO. BROS-077(54) | | | CONTRACT NO. 99357 | |



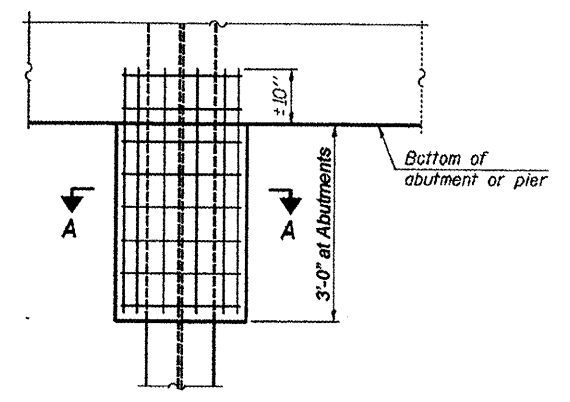
STEEL PILE TABLE

| Designation | Depth d | Flange width bf | Web and Flange thickness t | Encasement diameter A | Encasement Quantity/Ft. C.Y. |
|-------------|---------|-----------------|----------------------------|-----------------------|------------------------------|
| HP 14x117 | 14 1/4" | 14 7/8" | 1 5/16" | 30" | 0.173 |
| x102 | 14" | 14 3/4" | 1 1/16" | 30" | 0.174 |
| x89 | 13 7/8" | 14 3/4" | 5/8" | 30" | 0.175 |
| x73 | 13 5/8" | 14 5/8" | 1/2" | 30" | 0.176 |
| HP 12x84 | 12 1/4" | 12 1/4" | 1 1/16" | 24" | 0.110 |
| x74 | 12 1/8" | 12 1/4" | 5/8" | 24" | 0.111 |
| x63 | 12" | 12 1/8" | 1/2" | 24" | 0.112 |
| x53 | 11 3/4" | 12" | 7/16" | 24" | 0.112 |
| HP 10x57 | 10" | 10 1/4" | 9/16" | 24" | 0.112 |
| x42 | 9 3/4" | 10 1/8" | 7/16" | 24" | 0.113 |
| HP 8x35 | 8" | 8 1/8" | 7/16" | 18" | 0.063 |

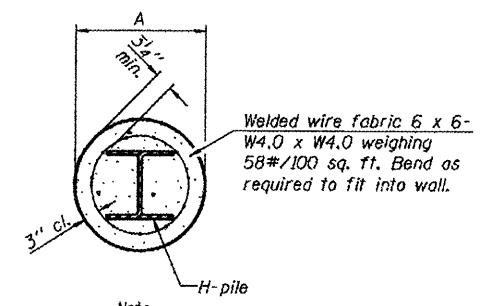
Note: The steel H-piles shall be according to AASHTO M270 Grade 50.



ELEVATION



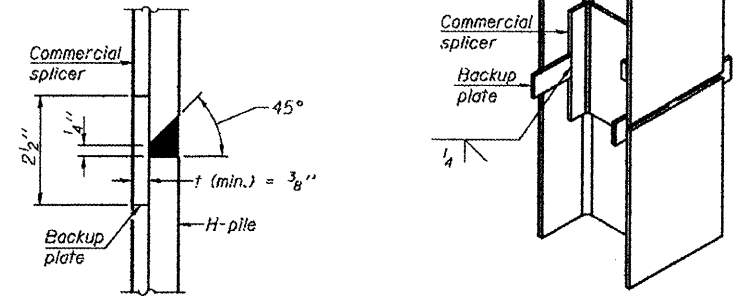
ELEVATION



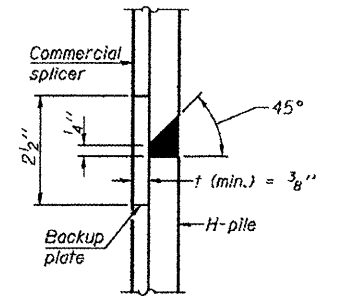
SECTION A-A

Note: Forms for encasement may be omitted when soil conditions permit.

PILE ENCASEMENT

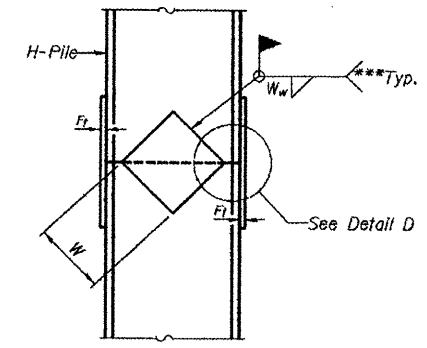


ISOMETRIC VIEW

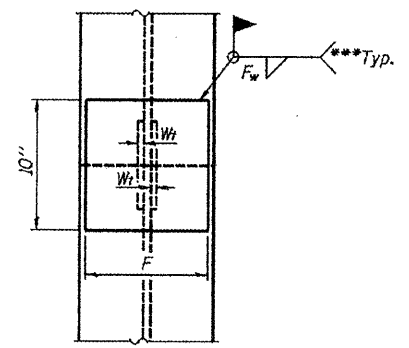


DETAIL "B"

WELDED COMMERCIAL SPLICE

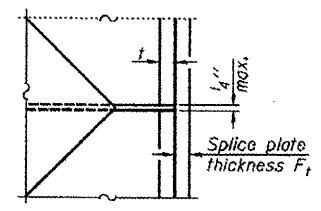


ELEVATION



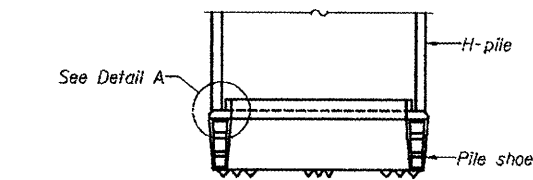
END VIEW

| Designation | F | F _t | F _w | W | W _t | W _w |
|-------------|---------|----------------|----------------|--------|----------------|----------------|
| HP 14x117 | 12 1/2" | 1" | 7/8" | 7 3/4" | 5 1/8" | 1 1/2" |
| x102 | 12 1/2" | 7/8" | 3/4" | 7 3/4" | 5 1/8" | 1 1/2" |
| x89 | 12 1/2" | 3/4" | 1/2" | 7 3/4" | 5 1/8" | 1 1/2" |
| x73 | 12 1/2" | 5/8" | 9/16" | 7 3/4" | 5 1/8" | 1 1/2" |
| HP 12x84 | 10" | 7/8" | 1/2" | 6 1/2" | 5 1/8" | 1 1/2" |
| x74 | 10" | 7/8" | 1/2" | 6 1/2" | 5 1/8" | 1 1/2" |
| x63 | 10" | 5/8" | 1/2" | 6 1/2" | 1 1/2" | 3/8" |
| x53 | 10" | 5/8" | 1/2" | 6 1/2" | 1 1/2" | 3/8" |
| HP 10x57 | 8" | 3/4" | 9/16" | 5 1/4" | 1 1/2" | 3/8" |
| x42 | 8" | 5/8" | 9/16" | 5 1/4" | 1 1/2" | 3/8" |
| HP 8x35 | 7" | 5/8" | 7/16" | 4 1/4" | 1 1/2" | 3/8" |

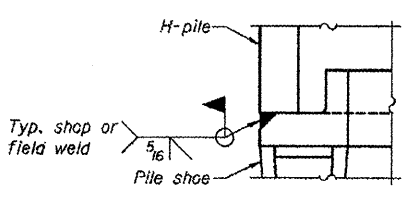


DETAIL D

WELDED PLATE FIELD SPLICE

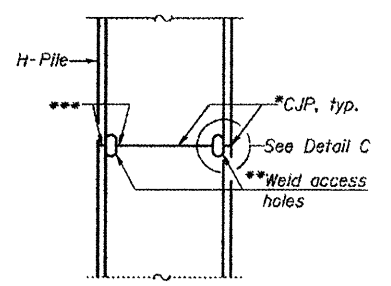


ELEVATION

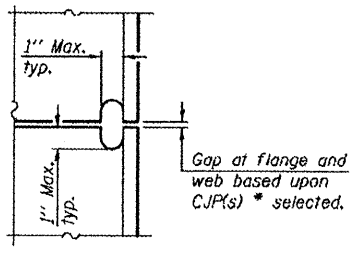


DETAIL A

H-PILE SHOE ATTACHMENT



ELEVATION



DETAIL C

COMPLETE PENETRATION WELD SPLICE

*Use joint conforming to Figure 3.4 in AWS D1.1. Structure Welding Code - Steel.
 **Preparation per Fig. 5.2 in AWS D1.1. Structure Welding Code - Steel.
 ***Interrupt welds 1/4" from end of each pile.

PILING DETAILS
 TOWNSHIP ROUTE 151A (MORBER ROAD)
 JOHNSON CREEK
 SECTION 08-08106-00-BR
 JACKSON COUNTY
 STRUCTURE NO. 039-3269