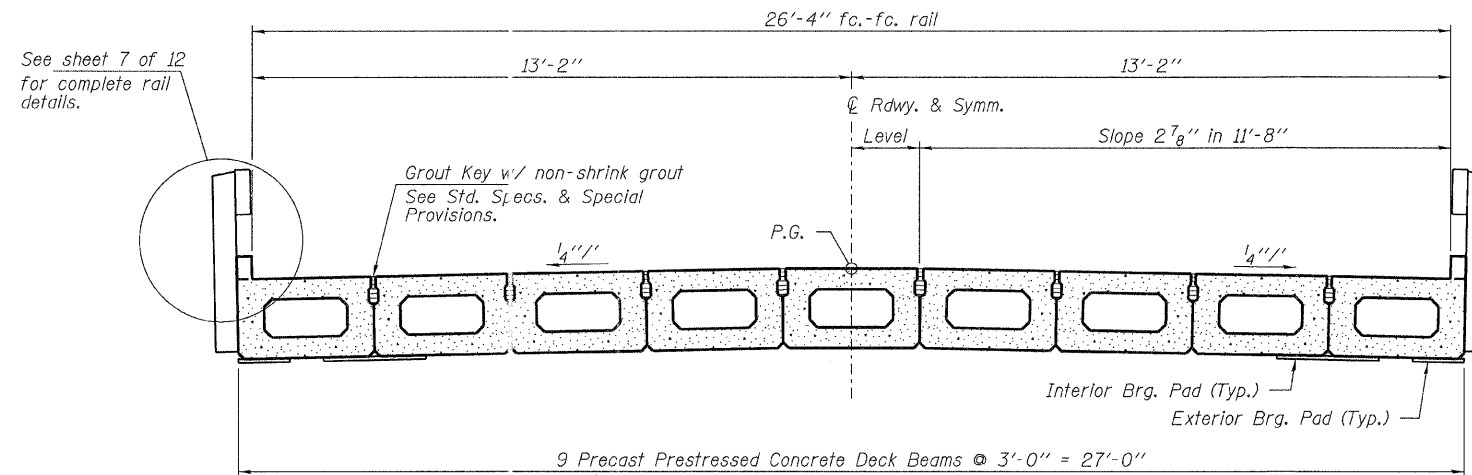


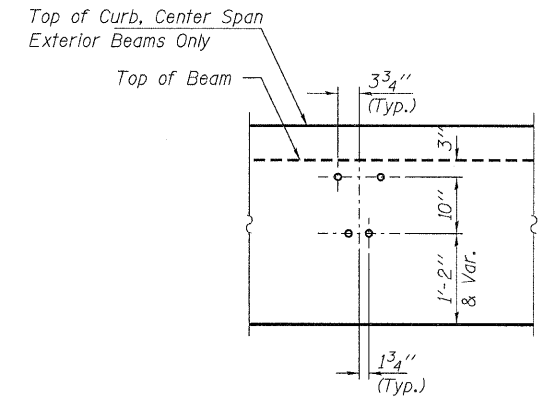
ELEVATION

Showing Rail Post Spaces
See sheet 7 of 12 for Railing Details.

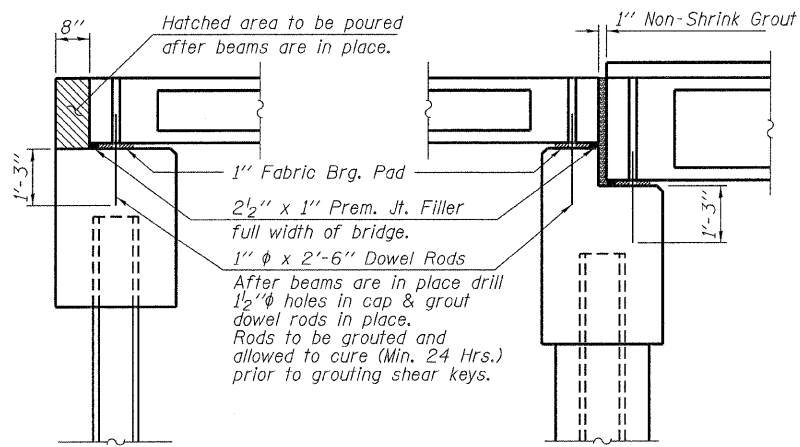


CROSS SECTION

See sheets 2 thru 5 of 12 for Superstructure.



DETAIL A



SECTION AT ABUTMENTS

© Rt. L's

SECTION AT PIERS

© Rt. L's

FILE NAME = 090172-shr-bridge.dgn	USER NAME =	DESIGNED - A.S.L.	REVISED - 05/26/10	STATE OF ILLINOIS JEFFERSON COUNTY HIGHWAY DEPARTMENT	SUPERSTRUCTURE DETAILS STRUCTURE NO. 041-9932	T.R.	SECTION	COUNTY	TOTAL SHEETS	SHEET NO.	
HAMPTON, LENZINI AND RENWICK, INC. 3008 STEVENSON DRIVE, SUITE 201 SPRINGFIELD, ILLINOIS 62703	PLOT SCALE =	CHECKED - S.W.M.	REVISED - 07/13/10			165B	05-16113-00-BR	JEFFERSON	34	28	
HLR ILLINOIS PROFESSIONAL DESIGN FIRM LS / PE / SE CORP. 184.000259	PLOT DATE =	DRAWN - D.A.B.	REVISED -			WEBBER ROAD DISTRICT		CONTRACT NO. 99440			
		CHECKED - S.W.M.	REVISED -			SHEET NO. 6 OF 12 SHEETS		ILLINOIS FED. AID PROJECT			