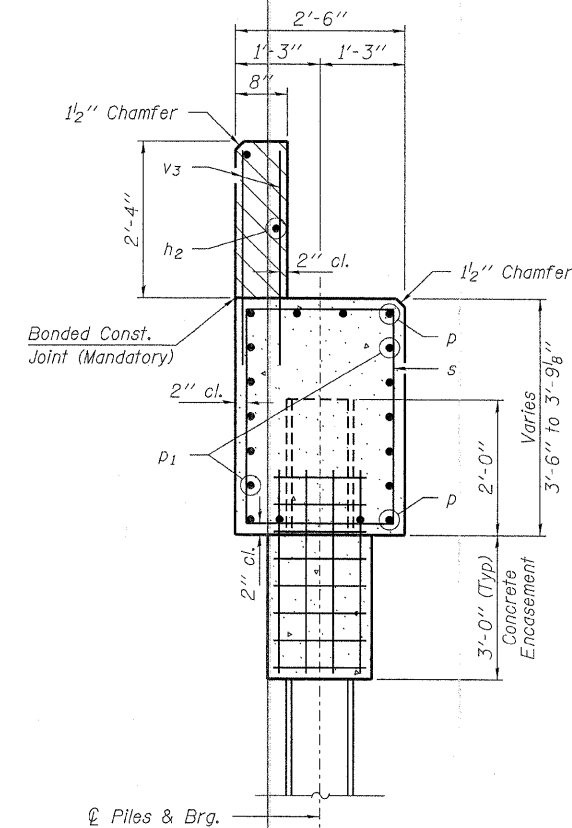
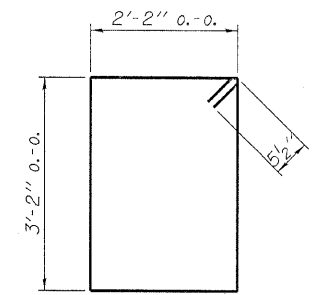


PLAN

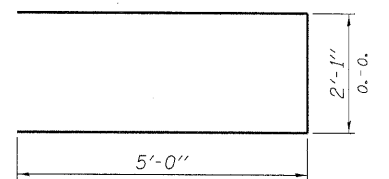


SECTION A-A

Hatched area to be poured after beams are in place.



BAR s

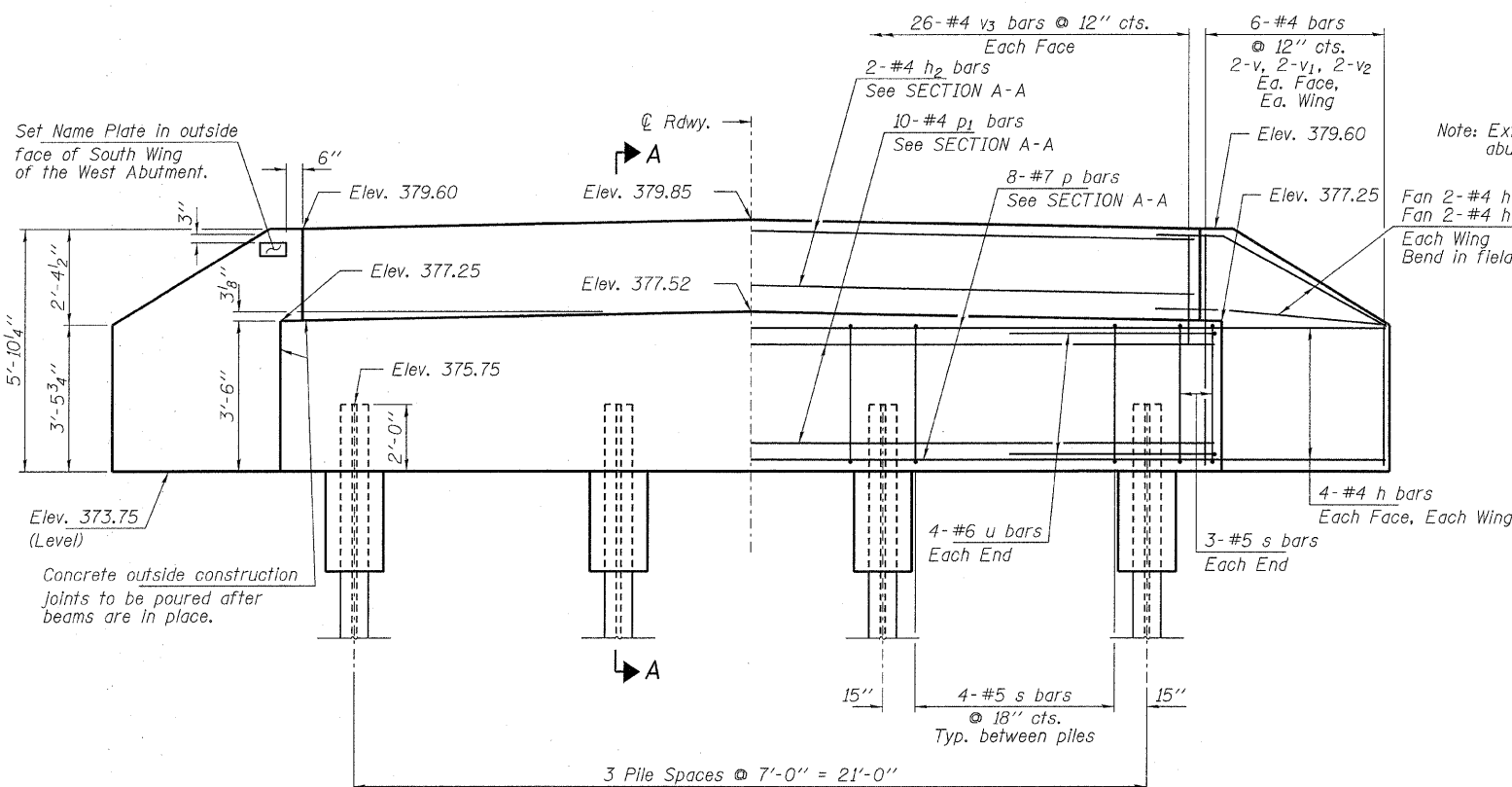


BAR u

BILL OF MATERIAL - 2 ABUTS.

BAR	NO.	SIZE	LENGTH	SHAPE
h	40	#4	7'-0"	—
h ₁	8	#4	5'-6"	—
h ₂	4	#4	25'-2"	—
p	16	#7	25'-2"	—
p ₁	20	#4	25'-2"	—
s	36	#5	11'-7"	□
u	16	#6	12'-1"	—
v	16	#4	5'-5"	—
v ₁	16	#4	4'-5"	—
v ₂	16	#4	3'-5"	—
v ₃	104	#4	3'-2"	—
Concrete Structures			Cu. Yd.	23.8
Concrete Encasement			Cu. Yd.	2.6
Reinforcement Bars			Pound	2,530
Steel Piles HP12x53			Foot	400
Name Plates			Each	1

ABUTMENTS
STRUCTURE NO. 033-3313



ELEVATION

PILE DATA

Type: Steel HP12x53
 No. Req'd. (2 Abutments): 8
 Factored Resistance Available (Rf): 209 Kips/Pile
 Nominal Required Bearing (Rn): 419 Kips/Pile
 Est. Length: 50 Ft/Pile

Notes: The Steel H-Piles shall be according to AASHTO M270 Grade 50.

DESIGNED - S.W.M.
CHECKED - V.J.H.
DRAWN - D.T.M.
CHECKED - S.W.M.

HAMPTON, LENZINI AND RENWICK, INC.
 CIVIL ENGINEERS - STRUCTURAL ENGINEERS - LAND SURVEYORS
 3085 STEVENSON DRIVE, SUITE 201
 SPRINGFIELD, ILLINOIS 62703
 217.546.3400 www.hlrenwicking.com

184.000699
 ILLINOIS PROFESSIONAL DESIGN FIRM LS / PE / SE CORPORATION

PROJECT NUMBER: 09.0069.130 DATE: 04/27/10

SHEET NO. 6
9 SHEETS

T.R.	SECTION	COUNTY	TOTAL SHEETS	SHEET NO.
454	08-01116-00-BR	HAMILTON	13	10
BEAVER CREEK ROAD DISTRICT		CONTRACT NO. 99442		
FED. ROAD DIST. NO.	ILLINOIS	FED. AID PROJECT BROS-065(045)		