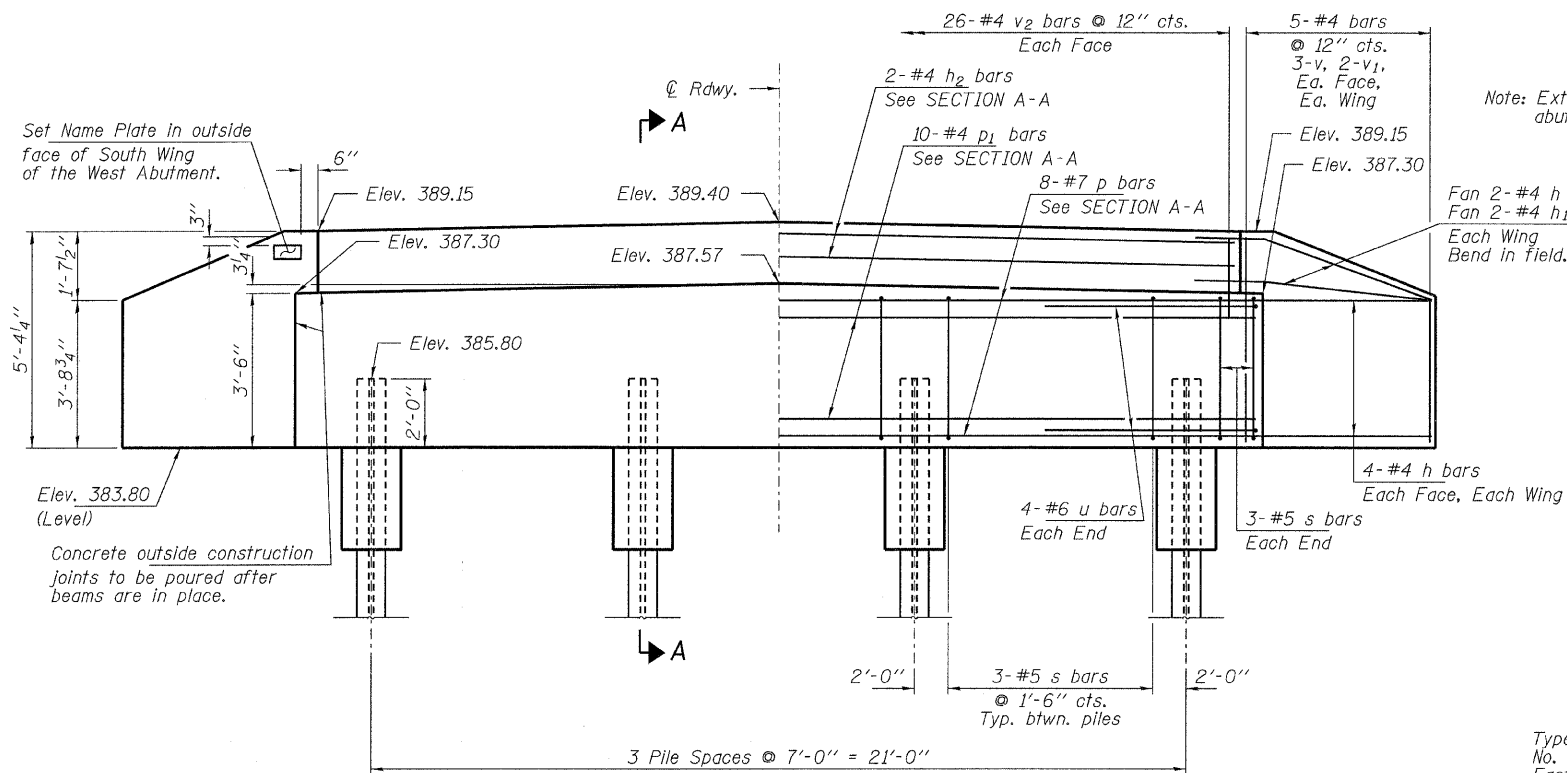
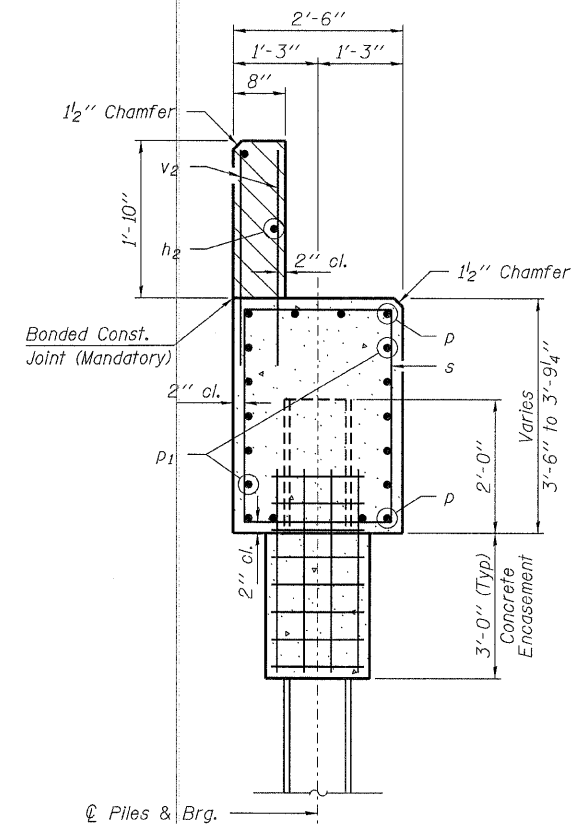


PLAN

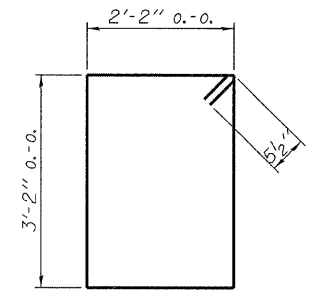


ELEVATION

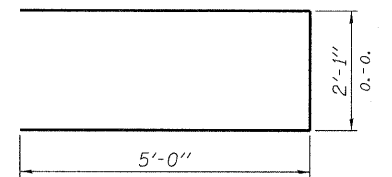


SECTION A-A

Hatched area to be poured after beams are in place.



BAR s



BAR u

Note: Extend h bars into abutment cap.

Fan 2-#4 h bars (B.F.)
Fan 2-#4 h1 bars (F.F.)
Each Wing Bend in field.

PILE DATA

Type	Steel HP10x42
No. Req'd. (2 Abuts.)	8
Factored Resistance Available (Rf)	184 Kips/Pile
Nominal Required Bearing (Rn)	335 Kips/Pile
Est. Length	30 Ft/Pile

Notes: The Steel H-Piles shall be according to AASHTO M270 Grade 50.

BILL OF MATERIAL - 2 ABUTS.

BAR	NO.	SIZE	LENGTH	SHAPE
h	40	#4	5'-6"	—
h1	8	#4	4'-0"	—
h2	4	#4	25'-2"	—
p	16	#7	25'-2"	—
p1	20	#4	25'-2"	—
s	30	#5	11'-7"	□
u	16	#6	12'-1"	—
v	24	#4	4'-5"	—
v1	16	#4	3'-5"	—
v2	104	#4	2'-8"	—
Concrete Structures			Cu. Yd.	22.0
Concrete Encasement			Cu. Yd.	2.8
Reinforcement Bars			Pound	2,340
Steel Piles HP10x42			Foot	240
Name Plates			Each	1