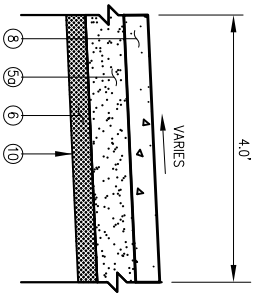


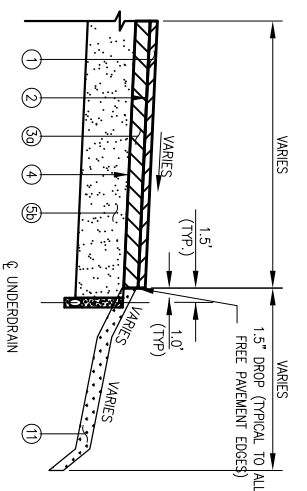
TYPICAL SECTION - NEW PAVEMENT NORTH AND REMOVE/REPLACE SECTION

- ① PROPOSED 1 1/2 INCH BITUMINOUS SURFACE COURSE, ITEM AR401613
- ② PROPOSED BITUMINOUS TACK COAT, ITEM AR603510
- ③ PROPOSED 2 1/4 INCH BITUMINOUS BASE COURSE, ITEM AR403613
- ④ PROPOSED BITUMINOUS PRIME COAT, ITEM AR602510
- ⑤ PROPOSED 8 INCH CRUSHED AGGREGATE BASE COURSE, ITEM AR209608
- ⑥ PROPOSED 4 INCH DRAINAGE LAYER, ITEM AR800928
- ⑩ PROPOSED SEPARATION FABRIC, ITEM AR156513
- ⑪ PROPOSED 3 INCH TOPSOIL, ITEM 905510



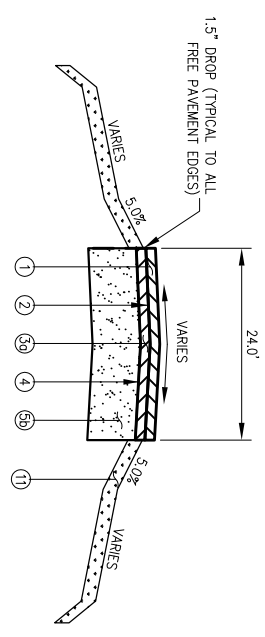
TYPICAL SECTION - SIDEWALK

- ⑤a PROPOSED 8 INCH CRUSHED AGGREGATE BASE COURSE, ITEM AR209608
- ⑥ PROPOSED 4 INCH DRAINAGE LAYER, ITEM AR800928
- ⑧ PROPOSED 5 INCH PCC SIDEWALK, ITEM AR501605
- ⑩ PROPOSED SEPARATION FABRIC, ITEM AR156513



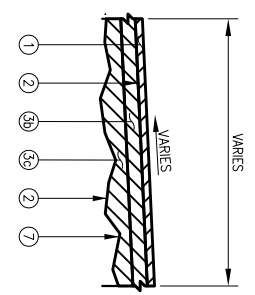
TYPICAL SECTION - NEW PAVEMENT SOUTH

- ① PROPOSED 1 1/2 INCH BITUMINOUS SURFACE COURSE, ITEM AR401613
- ② PROPOSED BITUMINOUS TACK COAT, ITEM AR603510
- ③ PROPOSED 2 1/4 INCH BITUMINOUS BASE COURSE, ITEM AR403613
- ④ PROPOSED BITUMINOUS PRIME COAT, ITEM AR602510
- ⑤a PROPOSED 10 INCH CRUSHED AGGREGATE BASE COURSE, ITEM AR209610
- ⑪ PROPOSED 3 INCH TOPSOIL, ITEM AR905510



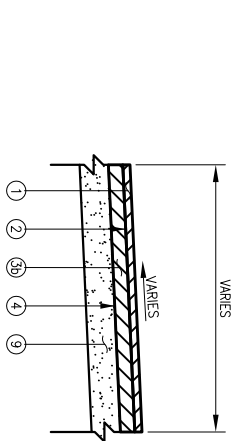
TYPICAL SECTION - HAUL ROAD

- ① PROPOSED 1 1/2 INCH BITUMINOUS SURFACE COURSE, ITEM AR401613
- ② PROPOSED BITUMINOUS TACK COAT, ITEM AR603510
- ③a PROPOSED 2 1/4 INCH BITUMINOUS BASE COURSE, ITEM AR403613
- ④ PROPOSED BITUMINOUS PRIME COAT, ITEM AR602510
- ⑤a PROPOSED 10 INCH CRUSHED AGGREGATE BASE COURSE, ITEM AR209610
- ⑪ PROPOSED 3 INCH TOPSOIL, ITEM AR905510



TYPICAL SECTION - OVERLAY

- ① PROPOSED 1 1/2 INCH BITUMINOUS SURFACE COURSE, ITEM AR401613
- ② PROPOSED BITUMINOUS TACK COAT, ITEM AR603510
- ③a PROPOSED 1 1/2 INCH BITUMINOUS BASE COURSE, ITEM AR403613
- ⑤a PROPOSED BITUMINOUS BASE COURSE, LEVELING, AR403620
- ⑦ PROPOSED BITUMINOUS TACK COAT, ITEM AR603510
- ⑦ PROPOSED PROPOSED CRACK CONTROL MATERIAL, ITEM AR800967



TYPICAL SECTION - BITUMINOUS REMOVAL AND REPLACE

- ① PROPOSED 1 1/2 INCH BITUMINOUS SURFACE COURSE, ITEM AR401613
- ② PROPOSED BITUMINOUS TACK COAT, ITEM AR603510
- ③a PROPOSED 1 1/2 INCH BITUMINOUS BASE COURSE, ITEM AR403613
- ④ PROPOSED BITUMINOUS PRIME COAT, ITEM AR602510
- ⑨ PROPOSED CRUSHED AGGREGATE BASE COURSE, DEPTH VARIES, ITEM AR209510

DATE	REVISION