

STATE OF ILLINOIS
DEPARTMENT OF TRANSPORTATION

F.A.S. RTE.	SECTION	COUNTY	TOTAL SHEETS	SHEET NO.
221	(2-15D)PP	MERCER	6	1
ILLINOIS			CONTRACT NO. 68G99	

INDEX OF SHEETS

- 1 COVER SHEET
- 2 COMMITMENTS, GENERAL NOTES, AND PROJECT SPECIFIC NOTES
- 3 SUMMARY OF QUANTITIES
- 4 SCHEDULE OF QUANTITIES
- 5 TYPICAL SECTIONS
- 6 LINE DIAGRAM

HIGHWAY STANDARDS

- 000001-08
- 701201-05
- 701336-07
- 701901-08

DESIGN DESIGNATION

FAS ROUTE 221: MAJOR COLLECTOR
ADT: 650 (2019)

PROPOSED
HIGHWAY PLANS

FAS ROUTE 221 (170th AVE)
SECTION (2-15D)PP
CONTRACT MAINTENANCE
MERCER COUNTY

C-94-033-22



PROJECT DESCRIPTION:

PARTIAL DEPTH PATCHING ON FAS 221 FROM
US 67 TO 5TH AVENUE IN SHERRARD

STATE OF ILLINOIS
DEPARTMENT OF TRANSPORTATION

SUBMITTED *March 30, 2022*

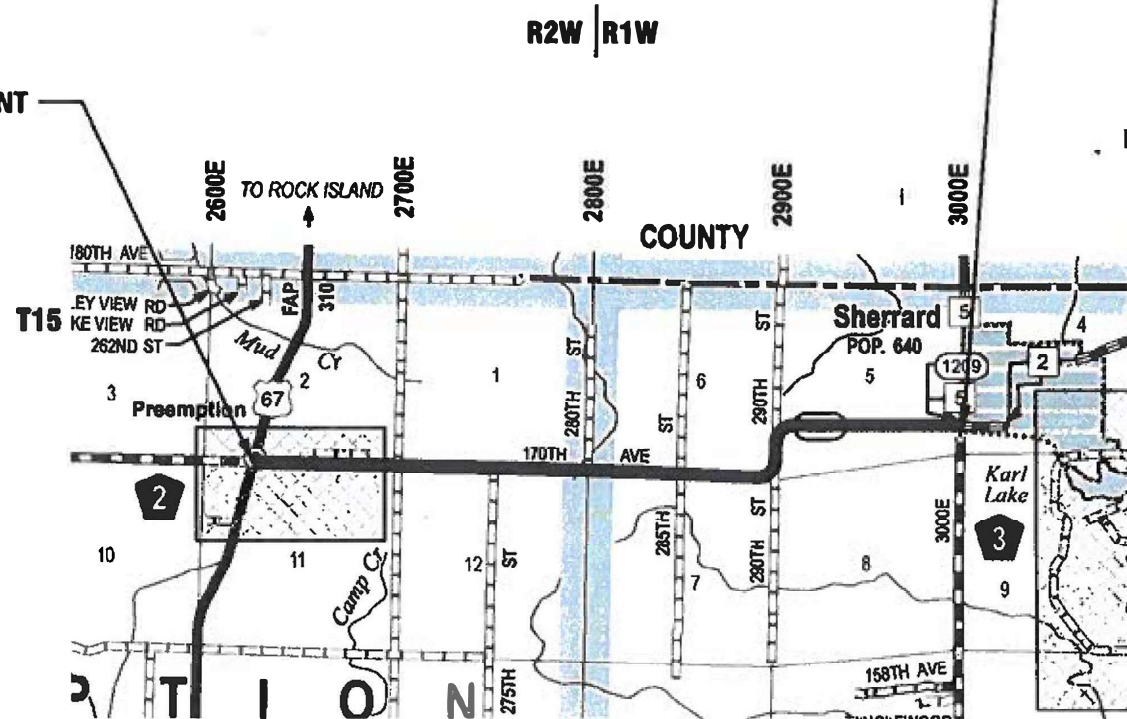
[Signature] REGIONAL ENGINEER
May 13, 2022

[Signature] ENGINEER OF DESIGN AND ENVIRONMENT
May 13, 2022

[Signature] DIRECTOR OF HIGHWAYS PROJECT IMPLEMENTATION

BEGIN IMPROVEMENT
US 67

END IMPROVEMENT
5TH AVE. IN SHERRARD



FULL SIZE PLANS HAVE BEEN PREPARED USING STANDARD
ENGINEERING SCALES. REDUCED SIZED PLANS WILL NOT
CONFORM TO STANDARD SCALES. IN MAKING MEASUREMENTS
ON REDUCED PLANS, THE ABOVE SCALES MAY BE USED.

J.U.L.I.E.
JOINT UTILITY LOCATION INFORMATION FOR EXCAVATORS
1-800-392-0123
OR 811

PROJECT ENGINEER: BEN TELLEFSON (309) 671-3333
PROJECT MANAGER: WILL MOSER (309) 671-3333
CATALOG NO. 036307-00D
CONTRACT NO. 68G99

[Signature] DATE
MARK C. LEE
REGISTERED PROFESSIONAL ENGINEER
STATE OF ILLINOIS NO. 062-060864
LICENSE EXPIRES NOVEMBER 30, 2023

GROSS LENGTH = 21,230.00 FT. = 4.02 MILE
NET LENGTH = 21,230.00 FT. = 4.02 MILE

KLINGNER
& ASSOCIATES, P.C.
Engineers • Architects • Surveyors
www.klingner.com
Galesburg, Illinois
49 North Prairie Street
309.342.4042
Quincy, IL, Hannibal, MO
Burlington, IA, Peoria, IA, Columbia, MO
Davenport, IA, Carbondale, IL
DESIGN FIRM NO. 184-2738

PRINTED BY THE AUTHORITY
OF THE STATE OF ILLINOIS

COMMITMENTS

COMMITMENTS ARE NOT TO BE ALTERED WITHOUT THE WRITTEN APPROVAL OF ALL PARTIES TO WHICH THE COMMITMENT WAS MADE.

NO COMMITMENTS HAVE BEEN MADE ON THIS PROJECT.

ENVIRONMENTAL REVIEWS

PRIOR TO THE USE OF ANY PROPOSED BORROW AREAS, USE AREAS (TEMPORARY ACCESS ROADS, DETOURS, RUN-AROUNDS, ETC.) AND /OR WASTE AREAS, THE CONTRACTOR SHALL FILE THE REQUIRED ENVIRONMENTAL RESOURCE REQUEST SURVEYS ACCORDING TO SECTION 107.22 OF THE STANDARD SPECIFICATIONS. THESE SURVEYS ARE REQUIRED IN ORDER FOR THE DEPARTMENT TO CONDUCT CULTURAL AND BIOLOGICAL RESOURCE SURVEYS FOR THE PROPOSED SITE.

THE REQUIRED ENVIRONMENTAL RESOURCE DOCUMENTATION SHALL INCLUDE THE FOLLOWING:

- BDE FORM 2289 (CULTURAL AND NATURAL RESOURCE REVIEW OF BORROW AREAS)
- BDE FORM 2290 (WASTE/USE AREA REVIEW)
- A LOCATION MAP SHOWING THE SIZE LIMITS AND LOCATION OF THE USE AREA
- COLOR PHOTOGRAPHS DEPICTING THE USE AREA
- BORROW AREA ENTRY AGREEMENT FORM-D4 PI0101

PRIOR TO ANY WASTE MATERIALS BEING REMOVED FROM THE CONSTRUCTION SITE THE REQUIRED ENVIRONMENTAL RESOURCE SURVEYS SHALL BE OBTAINED AND FILED BY THE CONTRACTOR. EXCESS WASTE PRODUCTS REMOVED FROM THE CONSTRUCTION SITE SHALL BE DISPOSED OF AS REQUIRED IN SECTION 202.03 OF THE STANDARD SPECIFICATIONS.

ANY PROTRUDING METAL BARS SHALL BE REMOVED PRIOR TO THE DISPOSAL OF BROKEN CONCRETE AT APPROVED DISPOSAL SITES.

PLEASE NOTE THAT A MINIMUM OF FOUR WEEKS SHALL BE ALLOWED FOR THE DISTRICT TO OBTAIN THE REQUIRED WASTE SITE ENVIRONMENTAL CLEARANCES AND SIX WEEKS FOR THE REQUIRED BORROW SITE ENVIRONMENTAL CLEARANCES.

JOB SPECIFICATIONS

1. FLAGGERS, WHEN SHOWN, SHALL BE INCLUDED IN THE COST OF TRAFFIC CONTROL STANDARD PAY ITEMS.
2. TWO CHANGEABLE MESSAGE SIGNS SHALL BE PLACED IN ADVANCE OF THE PROJECT. ONE PER EACH DIRECTION OF TRAVEL ON FAS 221 ONE WEEK PRIOR TO CONSTRUCTION.

HOT-MIX ASPHALT MIXTURE REQUIREMENTS

THE FOLLOWING MIXTURE REQUIREMENTS ARE APPLICABLE FOR THIS PROJECT

LOCATION(S)	MAINLINE
MIXTURE USE(S):	PATCHING
PG:	PG 58-28
DESIGN AIR VOIDS:	4% N=50
MIXTURE COMPOSITION:	IL 9.5
FRICTION AGGREGATE:	MIX C
MIXTURE WEIGHT:	112.0 LB/SY/IN
QUALITY MANAGEMENT PROGRAM:	QC/QA
SUBLOT SIZE:	N/A
MATERIAL TRANSFER DEVICE:	NO

NOTES:

1) INDIVIDUAL LIFT THICKNESS OF EACH MIX TYPE WILL BE NO LESS THAN 3 TIMES NOMINAL MAXIMUM AGGREGATE SIZE AND NO MORE THAN 6 TIMES NOMINAL MAXIMUM.

2) FOR DESIGN PURPOSES, MIXTURE WEIGHT FOR ALL MIXES IS DETERMINED TO BE 112.0 LB./S.Y./IN., UNLESS OTHERWISE NOTED.

MODEL: D:\p\h\... FILE NAME: 03_11\res\21081_IDOT - DST - 4 - PTP_201_023\Work_Order_03 - Western DA118_Transportation\FAS 221_Sherard ROW\US 67 to CH 5\ICAD_Sheets\Notes.dgn

KLINGNER & ASSOCIATES, P.C.
 Engineers • Architects • Surveyors
 www.klingnerus.com
 Galesburg, Illinois Quincy, IL, Marshall, MO
 40 North Prairie Street Burlington, MA 01803, Columbia, MD
 206A West 4th Street Des Moines, IA, Columbus, GA

USER NAME = mirch	DESIGNED - MCR	REVISED -
	DRAWN - MCR	REVISED -
PLOT SCALE = 100.0000 ' / in.	CHECKED - MCL	REVISED -
PLOT DATE = 3/25/2022	DATE -	REVISED -

**STATE OF ILLINOIS
DEPARTMENT OF TRANSPORTATION**

**COMMITMENTS, GENERAL NOTES,
AND PROJECT SPECIFIC NOTES**

SCALE: NONE SHEET 2 OF 6 SHEETS STA. N/A TO STA. N/A

F.A.S RTE.	SECTION	COUNTY	TOTAL SHEETS	SHEET NO.
221	(2-15D)PP	MERCER	6	2
CONTRACT NO. 68G99				
ILLINOIS FED. AID PROJECT				

MODEL: Default
 FILE NAME: C:\311081\DOT - DIST - 4 - P1B 201023\Work\Outdr_03 - Western DA18_Transportation\FAS 221_Sherard P0105 67 to CH 5\CAD_Sheets\Summary of Quantities.dwg

CODE NO.	ITEM	UNIT	TOTAL QUANTITY	CONSTRUCTION CODE								
				MERCER COUNTY	100% STATE	0006	RURAL					
67100100	MOBILIZATION	L SUM	1		1							
70100450	TRAFFIC CONTROL AND PROTECTION, STANDARD 701201	L SUM	1		1							
70100600	TRAFFIC CONTROL AND PROTECTION, STANDARD 701336	L SUM	1		1							
70107025	CHANGEABLE MESSAGE SIGN	CAL DA	14		14							
X0556100	PARTIAL DEPTH PATCHING (SPECIAL)	SQ YD	3103		3103							
X4421000	PARTIAL DEPTH PATCHING	TON	354		354							

KLINGNER & ASSOCIATES, P.C.
 Engineers • Architects • Surveyors
 Galesburg, Illinois
 40 North Prairie Street
 Galesburg, IL 61601
 Phone: 309.343.4444
 Fax: 309.343.4444
 Website: www.klingner.com
 Quincy, IL, Marshall, MO
 Burlington, IA, Peoria, IL, Columbus, MO
 Evansville, IN, Charleston, IL

USER NAME = mirch	DESIGNED - MCR	REVISED -
PLOT SCALE = 100.0000 ' / in.	DRAWN - MCR	REVISED -
PLOT DATE = 3/25/2022	CHECKED - MCL	REVISED -
	DATE -	REVISED -

**STATE OF ILLINOIS
DEPARTMENT OF TRANSPORTATION**

SUMMARY OF QUANTITIES			
SCALE: NONE	SHEET 3	OF 6 SHEETS	STA. N/A TO STA. N/A

F.A.S RTE.	SECTION	COUNTY	TOTAL SHEETS	SHEET NO.
221	(2-15D)PP	MERCER	6	3
CONTRACT NO. 68G99				
ILLINOIS FED. AID PROJECT				

MOBILIZATION	
LOCATION	L SUM
FAS 221	1
TOTAL	1

PARTIAL DEPTH PATCHING (SPECIAL)	
LOCATION	SQ YD
FAS 221	3103

WIDTH	LENGTH	DIRECTION	QUANTITY	AREA
FT	FT			SQ YD
4	9	EB	57	228.0
4	9	WB	52	208.0
3	100	EB-EDGE	40	1333.3
3	100	WB-EDGE	40	1333.3
TOTALS				3103

TRAFFIC CONTROL & PROTECTION STANDARD 701201	
LOCATION	L SUM
FAS 221	1
TOTAL	1

PARTIAL DEPTH PATCHING	
LOCATION	TON
FAS 221	354

TRAFFIC CONTROL & PROTECTION STANDARD 701336	
LOCATION	L SUM
FAS 221	1
TOTAL	1

CHANGEABLE MESSAGE SIGN	
LOCATION	CAL DAY
FAS 221	14
TOTAL	14

MODEL: Default
 FILE NAME: C:\3\files\21081.IDOT - DIST 4 - PTP 201603\Work Order 03 - Western DA118 Transportation\FAS 221 (Sherard PD)US 67 to CH 5\ICAD Sheets\Schedule of Quantities.dwg



USER NAME = mirch	DESIGNED - MCR	REVISED -
PLOT SCALE = 100:0.0000 "" / in.	DRAWN - MCR	REVISED -
PLOT DATE = 3/21/2022	CHECKED - MCL	REVISED -
	DATE -	REVISED -

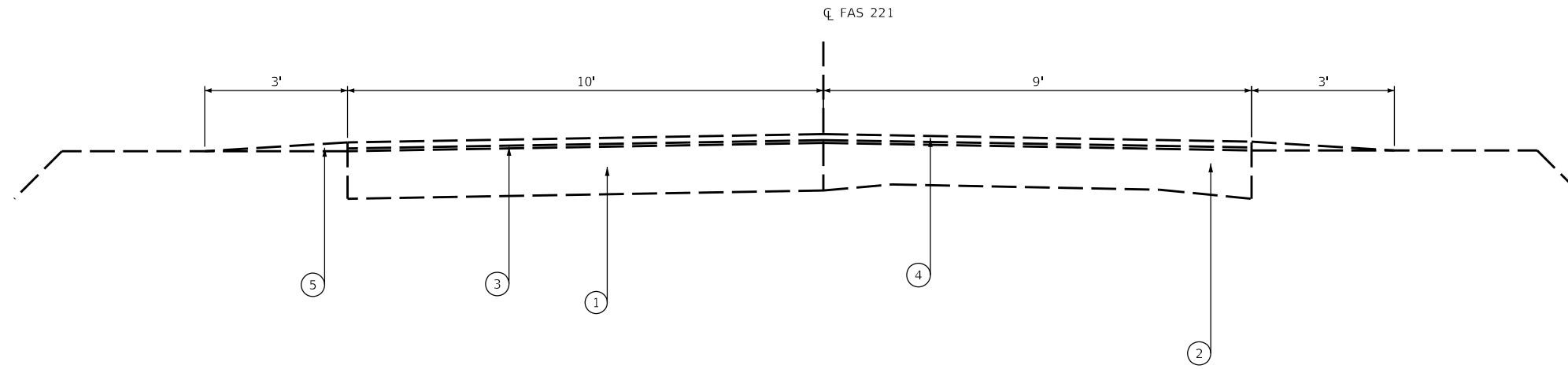
DESIGNED - MCR	REVISED -
DRAWN - MCR	REVISED -
CHECKED - MCL	REVISED -
DATE -	REVISED -

**STATE OF ILLINOIS
 DEPARTMENT OF TRANSPORTATION**

SCHEDULE OF QUANTITIES

SCALE: NONE SHEET 4 OF 6 SHEETS STA. N/A TO STA. N/A

F.A.S RTE.	SECTION	COUNTY	TOTAL SHEETS	SHEET NO.
221	(2-15D)PP	MERCER	6	4
CONTRACT NO. 68G99				
ILLINOIS FED. AID PROJECT				



EXISTING TYPICAL FAS 221 SECTION
(US 67 TO 5TH AVENUE IN SHERRARD, IL)

LEGEND

- ① EXISTING AGGREGATE BASE COURSE WITH OVERLAY & SEAL COAT
- ② EXISTING P.C.C. SUB-BASE WITH OVERLAY AND SEAL COAT
- ③ EXISTING BITUMINOUS LEVEL BINDER, TYPE 2, 3/4"
- ④ EXISTING HMA SURFACE COURSE, "C", CLASS 1, TYPE 2, 1 1/2"
- ⑤ EXISTING AGGREGATE SHOULDER, TYPE B

MODEL: D:\p\h\...
 FILE NAME: C:\Users\j13081\DOT - DIST 4 - PTP 201603\Work Order 03 - Western DA\18 Transportation\FAS 221 (Sherrard) FAS 221 Typical Section.dwg

KLINGNER & ASSOCIATES, P.C.
 Engineers • Architects • Surveyors
 Galesburg, Illinois
 40 North Payne Street
 Galesburg, IL 62541

USER NAME = mirch	DESIGNED - MCR	REVISIED -
PLOT SCALE = 100.0:0.0000 " = 1" / in.	DRAWN - MCR	REVISIED -
PLOT DATE = 3/18/2022	CHECKED - MCL	REVISIED -
	DATE -	REVISIED -

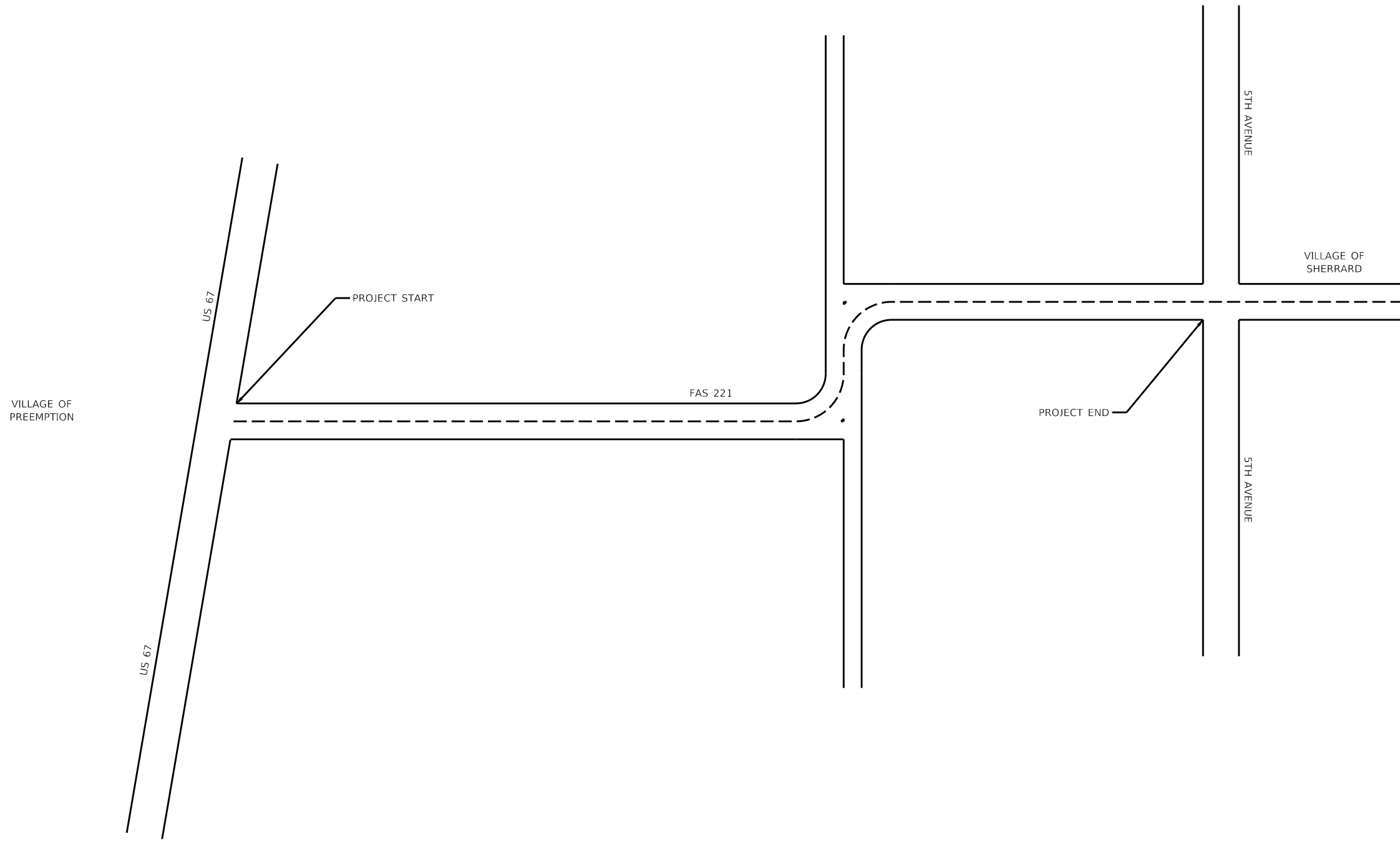
DESIGNED - MCR	REVISIED -
DRAWN - MCR	REVISIED -
CHECKED - MCL	REVISIED -
DATE -	REVISIED -

**STATE OF ILLINOIS
DEPARTMENT OF TRANSPORTATION**

TYPICAL SECTIONS

SCALE: NONE SHEET 5 OF 6 SHEETS STA. N/A TO STA. N/A

F.A.S RTE.	SECTION	COUNTY	TOTAL SHEETS	SHEET NO.
221	(2-15D)PP	MERCER	6	5
CONTRACT NO. 68G99			ILLINOIS FED. AID PROJECT	



MODEL: Default
 FILE NAME: C:\1\files\21081_IDOT - DIST 4 - PTP 201623\Work_03 - Western DA\18_Transportation\FAS 221_Sherard_P01\US 67 to CH 5\CAD_Sheets\Line_Diagram.dgn

KLINGNER & ASSOCIATES, P.C.
 Engineers • Architects • Surveyors
 www.klingner.com
 Galesburg, Illinois Quincy, IL, Macomb, MO
 40 North Prairie Street Burlington, MA, Peoria, IL, Columbia, MO
 562-343-4433 Danvers, IL, Charleston, IL

USER NAME = mirch
PLOT SCALE = 100,0000 ' / in.
PLOT DATE = 3/18/2022

DESIGNED - MCR
DRAWN - MCR
CHECKED - MCL
DATE -

REVISED -
REVISED -
REVISED -
REVISED -

STATE OF ILLINOIS
DEPARTMENT OF TRANSPORTATION

LINE DIAGRAM				
SCALE: NONE	SHEET 6	OF 6	SHEETS	STA. N/A TO STA. N/A

F.A.S. RTE. 221	SECTION (2-15D)PP	COUNTY MERCER	TOTAL SHEETS 6	SHEET NO. 6
CONTRACT NO. 68G99				
ILLINOIS FED. AID PROJECT				