

STATE OF ILLINOIS  
DEPARTMENT OF TRANSPORTATION

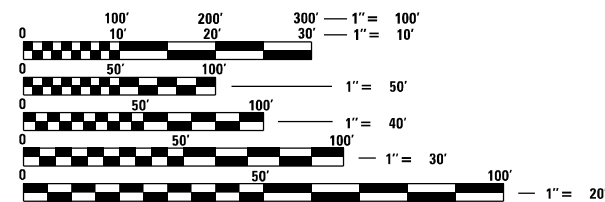
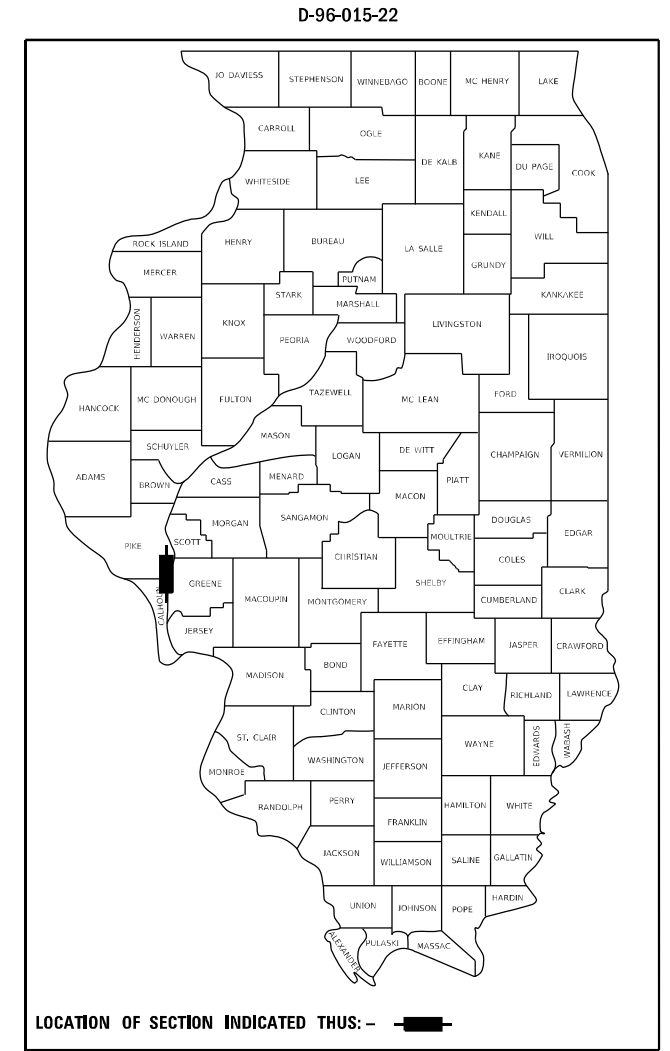
F.A.P. RTE.	SECTION	COUNTY	TOTAL SHEETS	SHEET NO.
558	(123B-1)BDR	PIKE	9	1
		ILLINOIS	CONTRACT NO. 72N38	

FOR INDEX OF SHEETS, SEE SHEET NO. 2

# PROPOSED CONTRACT MAINTENANCE

FAP ROUTE 558 (IL 100)  
SECTION (123B-1)BDR  
PROJECT (STATE)  
BRIDGE DECK REPAIRS  
PIKE COUNTY

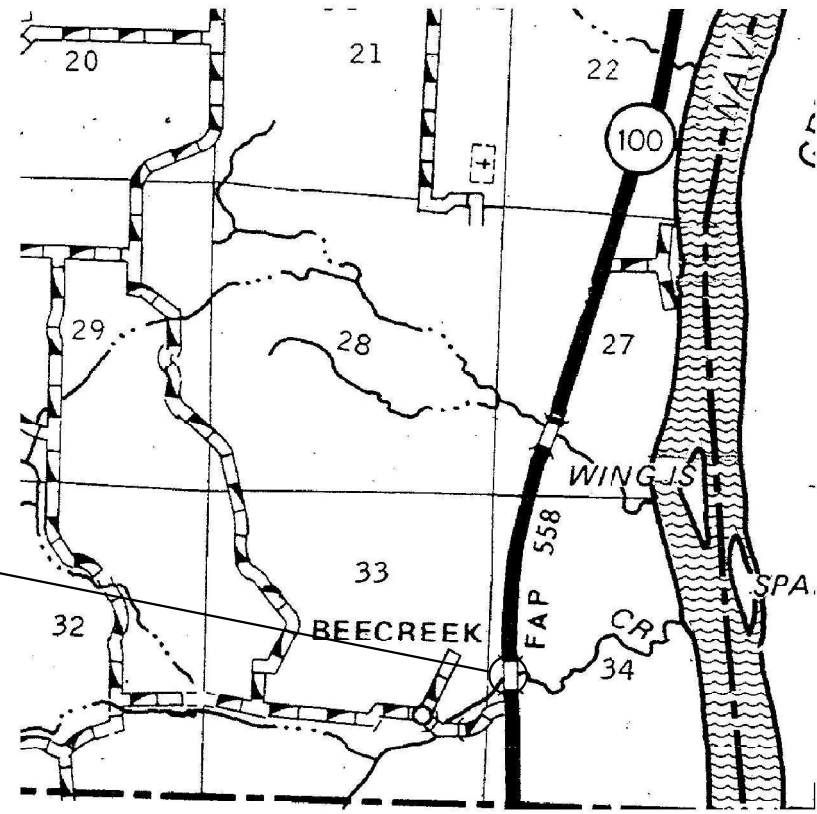
C-96-019-22



FULL SIZE PLANS HAVE BEEN PREPARED USING STANDARD ENGINEERING SCALES, REDUCED SIZED PLANS WILL NOT CONFORM TO STANDARD SCALES. IN MAKING MEASUREMENTS ON REDUCED PLANS, THE ABOVE SCALES MAY BE USED.

J.U.L.I.E.  
JOINT UTILITY LOCATION INFORMATION FOR EXCAVATORS  
1-800-892-0123  
OR 811

PROJECT LOCATION  
SN 075-0135  
IL 100 OVER  
BEE CREEK  
0.4 MI N CALHOUN CO LINE



GROSS LENGTH = 166 FT. = 0.03 MILE  
NET LENGTH = 166 FT. = 0.03 MILE

BRIDGE MAINTENANCE ENGINEER: BRANDON DUDLEY - (217) 785-9290  
DESIGNER: ZACHARY SABLAY - (217) 785-5836

CONTRACT NO. 72N38

STATE OF ILLINOIS  
DEPARTMENT OF TRANSPORTATION

SUBMITTED March 24, 2022

*John P. Meyer*  
REGIONAL ENGINEER

May 13, 2022 *Scott A. Etk*  
ENGINEER OF DESIGN AND ENVIRONMENT

May 13, 2022 *Stephen M. Smith*  
DIRECTOR OF HIGHWAYS PROJECT IMPLEMENTATION

PRINTED BY THE AUTHORITY  
OF THE STATE OF ILLINOIS

INDEX OF SHEETS

- 1 COVER SHEET
- 2 INDEX, STANDARDS, SIGNATURES, & GENERAL NOTES
- 3 SUMMARY OF QUANTITIES
- 4 STAGING PLAN
- 5-6 TRAFFIC CONTROL PLAN
- 7-9 SN 075-0135 BRIDGE PLANS

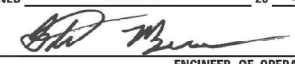
STANDARDS

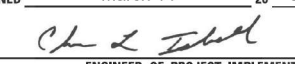
- 000001-08
- 001001-02
- 001006
- 701001-02
- 701006-05
- 701201-05
- 701301-04
- 701316-13
- 701901-08

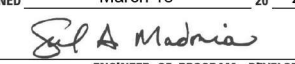
GENERAL NOTES:

AREAS OF DECK REPAIRS SHOWN ARE ESTIMATED. THE ENGINEER SHALL SHOW ACTUAL LOCATIONS ON AS-BUILT PLANS.

**STATE OF ILLINOIS  
DEPARTMENT OF TRANSPORTATION  
DIVISION OF HIGHWAYS  
DISTRICT 6**

EXAMINED March 21 20 22  
  
ENGINEER OF OPERATIONS

EXAMINED March 14 20 22  
  
ENGINEER OF PROJECT IMPLEMENTATION

EXAMINED March 18 20 22  
  
ENGINEER OF PROGRAM DEVELOPMENT

MODEL: Default  
FILE NAME: S:\Addresses\Bridges\plans\_CAD\72N38 - 0750135 deck restriping\plan sheet.dgn

USER NAME = sablayzn	DESIGNED -	REVISED -
	DRAWN -	REVISED -
PLOT SCALE = 100,0000 ' / in.	CHECKED -	REVISED -
PLOT DATE = 3/24/2022	DATE -	REVISED -

**STATE OF ILLINOIS  
DEPARTMENT OF TRANSPORTATION**

**INDEX OF SHEETS, GENERAL NOTES,  
HIGHWAY STANDARDS, & SIGNATURES**

SCALE: SHEET OF SHEETS STA. TO STA.

F.A.P. RTE.	SECTION	COUNTY	TOTAL SHEETS	SHEET NO.
558	(123B-1)BDR	PIKE	9	2
CONTRACT NO. 72N38				
ILLINOIS FED. AID PROJECT				

0-02176-6035  
 SN 075-0135  
 100% STATE

CODE NO.	ITEM	UNIT	TOTAL QUANTITY	BRIDGE/RURAL
				0047 PIKE
50300300	PROTECTIVE COAT	SQ YD	52	52
67100100	MOBILIZATION	L SUM	1	1
70100100	TRAFFIC CONTROL AND PROTECTION, STANDARD 701316	EACH	1	1
70100450	TRAFFIC CONTROL AND PROTECTION, STANDARD 701201	L SUM	1	1
70106500	TEMPORARY BRIDGE TRAFFIC SIGNALS	EACH	1	1
70106700	TEMPORARY RUMBLE STRIPS	EACH	6	6
70107025	CHANGEABLE MESSAGE SIGNS	CAL DAY	60	60
X7200201	WIDTH RESTRICTION SIGNING	L SUM	1	1
Z0001800	APPROACH SLAB REPAIR (PARTIAL DEPTH)	SQ YD	34	34
Z0016002	DECK SLAB REPAIR (FULL DEPTH, TYPE II)	SQ YD	5	5
Z0016200	DECK SLAB REPAIR (PARTIAL)	SQ YD	13	13
Z0032500	JOINT SEALING (PATCHES)	FOOT	763	763

MODEL: Default  
 FILE NAME: S:\Addresses\Bridges\slabs\_CAD\72N38 - 0750135\_deck\_traffic\_signs\slabsheet.dgn

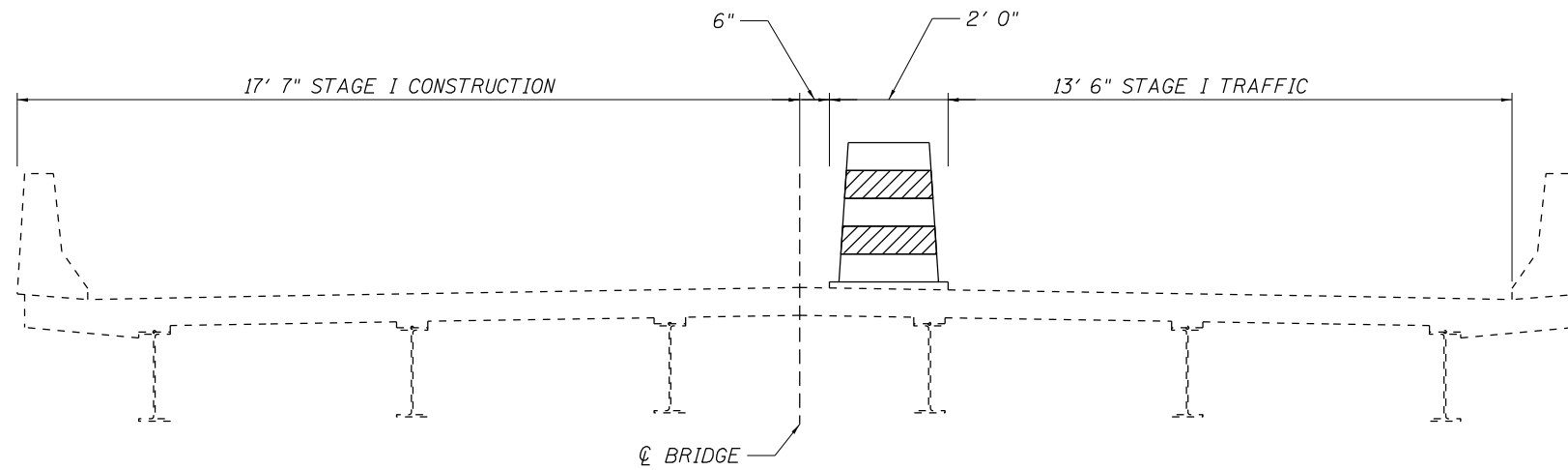
USER NAME = sablayzn	DESIGNED -	REVISED -
PLOT SCALE = 100,0000' / in.	DRAWN -	REVISED -
PLOT DATE = 3/24/2022	CHECKED -	REVISED -
	DATE -	REVISED -

**STATE OF ILLINOIS  
 DEPARTMENT OF TRANSPORTATION**

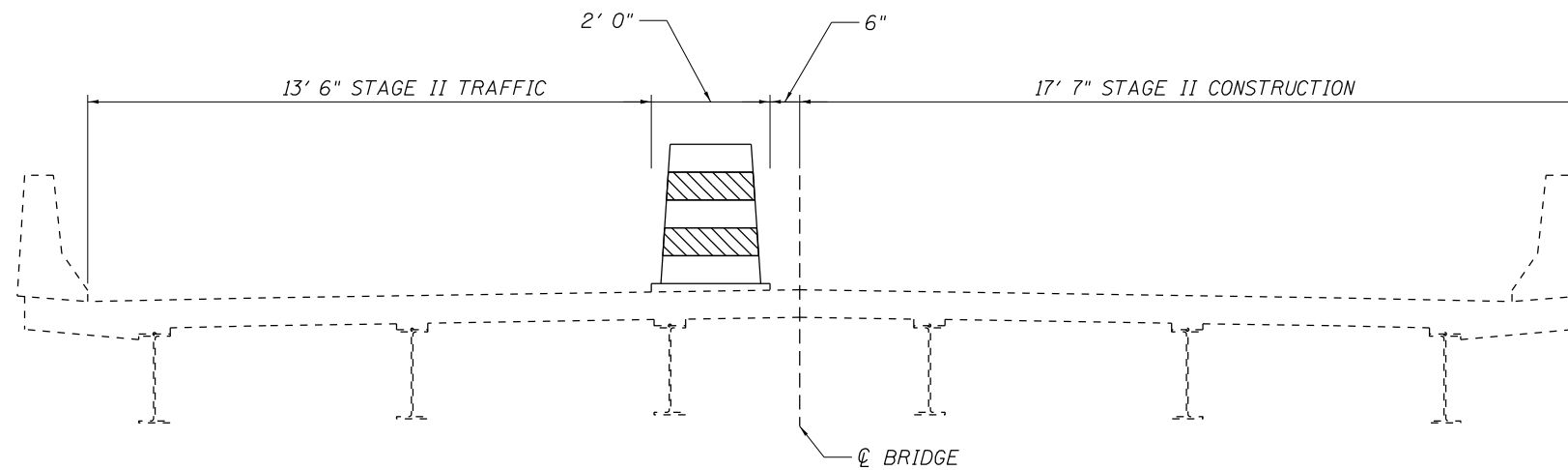
**SUMMARY OF QUANTITIES**

SCALE: SHEET OF SHEETS STA. TO STA.

F.A.P. RTE.	SECTION	COUNTY	TOTAL SHEETS	SHEET NO.
558	(123B-1)BDR	PIKE	9	3
			CONTRACT NO. 72N38	
			ILLINOIS FED. AID PROJECT	



**STAGE I TRAFFIC, LOOKING SOUTH**



**STAGE II TRAFFIC, LOOKING SOUTH**

MODEL: Default  
 FILE NAME: S:\Bids\Bids\Bids\Bids\CAD\72N38 - 0750135.dwg  
 USER: sabbayzn  
 PLOT DATE: 3/24/2022

USER NAME = sabbayzn	DESIGNED -	REVISED -
	DRAWN -	REVISED -
PLOT SCALE = 100,0000' / in.	CHECKED -	REVISED -
PLOT DATE = 3/24/2022	DATE -	REVISED -

**STATE OF ILLINOIS**  
**DEPARTMENT OF TRANSPORTATION**

**TRAFFIC STAGING PLAN**

SCALE: SHEET OF SHEETS STA. TO STA.

F.A.P. RTE.	SECTION	COUNTY	TOTAL SHEETS	SHEET NO.
558	(123B-1)BDR	PIKE	9	4
CONTRACT NO. 72N38			ILLINOIS FED. AID PROJECT	




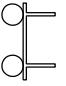

MATCH LINE - STA 393+00



MATCH LINE - STA 383+00

STAGE I TRAFFIC CONTROL PLAN

**SYMBOLS**

-  WORK AREA
-  TRAFFIC SIGNAL
-  DRUM
-  TYPE III BARRICADE WITH FLASHING LIGHTS
-  DRUM WITH STEADY BURING BI-DIRECTIONAL LIGHT

**TRAFFIC CONTROL NOTES:**

1. TRAFFIC CONTROL DEVICES NOT SHOWN IN THIS DETAIL SHALL BE PER STANDARD 701316. DEVICES AND TEMPORARY PAVEMENT MARKINGS SHOWN IN THIS DETAIL SHALL BE INCLUDED IN THE COST OF TRAFFIC CONTROL AND PROTECTION, STANDARD 701316.

MODEL: Default  
FILE NAME: S:\Addresses\Bridges\BDR\_CAD\72N38 - 0730135.dwg  
DATE: 3/24/2022 10:38:58 AM

USER NAME = sablayzn	DESIGNED -	REVISED -
	DRAWN -	REVISED -
PLOT SCALE = 100,0000 ' / in.	CHECKED -	REVISED -
PLOT DATE = 3/24/2022	DATE -	REVISED -

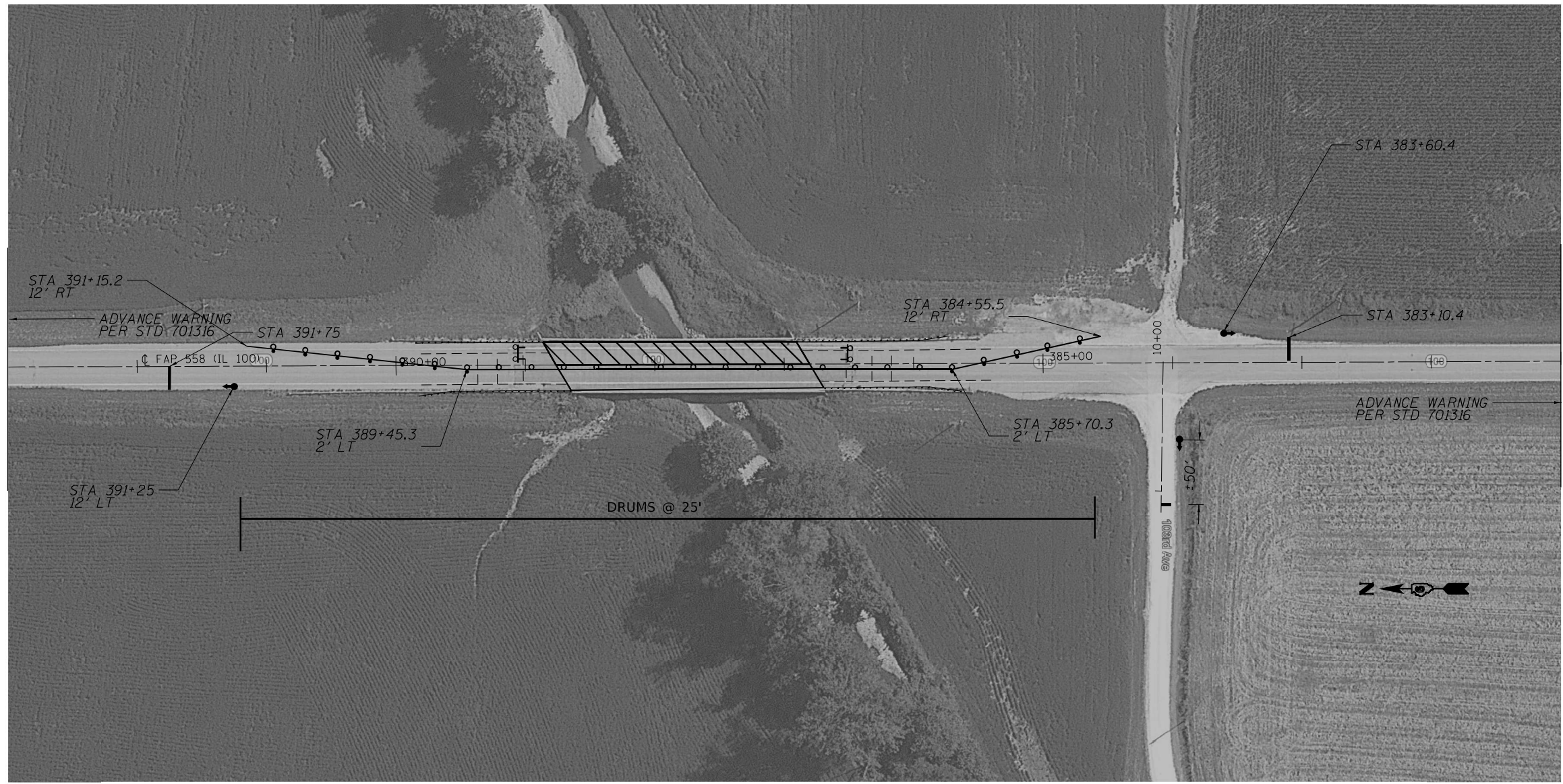
**STATE OF ILLINOIS  
DEPARTMENT OF TRANSPORTATION**

**TRAFFIC STAGING PLAN**

SCALE: SHEET OF SHEETS STA. TO STA.

F.A.P. RTE.	SECTION	COUNTY	TOTAL SHEETS	SHEET NO.
558	(123B-1)BDR	PIKE	9	5
CONTRACT NO. 72N38				
ILLINOIS FED. AID PROJECT				

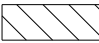


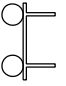

MATCH LINE - STA 393+00



MATCH LINE - STA 383+00

STAGE II TRAFFIC CONTROL PLAN

**SYMBOLS**

-  WORK AREA
-  TRAFFIC SIGNAL
-  DRUM
-  TYPE III BARRICADE WITH FLASHING LIGHTS
-  DRUM WITH STEADY BURING BI-DIRECTIONAL LIGHT

**TRAFFIC CONTROL NOTES:**

1. TRAFFIC CONTROL DEVICES NOT SHOWN IN THIS DETAIL SHALL BE PER STANDARD 701316. DEVICES AND TEMPORARY PAVEMENT MARKINGS SHOWN IN THIS DETAIL SHALL BE INCLUDED IN THE COST OF TRAFFIC CONTROL AND PROTECTION, STANDARD 701316.

MODEL: Default  
FILE NAME: S:\Addresses\Bridges\BDR\72N38 - 0750135.dwg  
DATE: 3/24/2022 10:38:38 AM

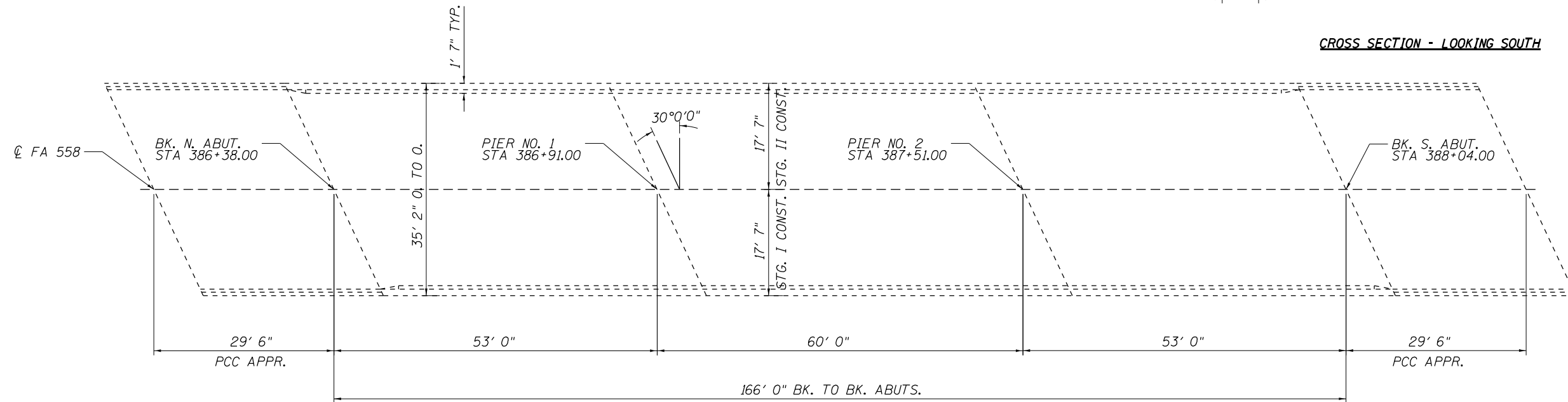
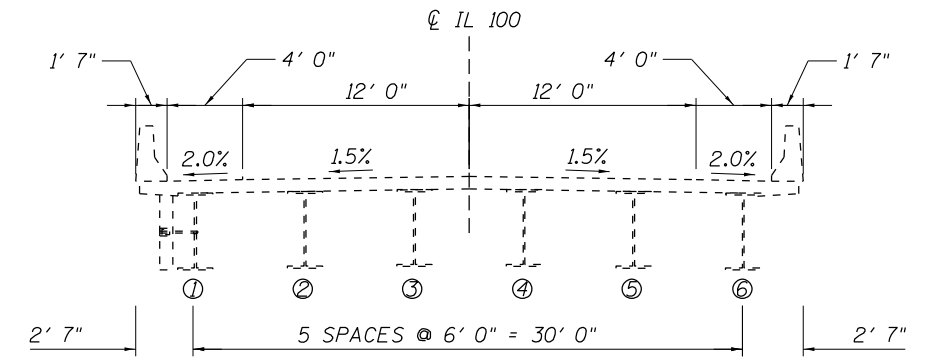
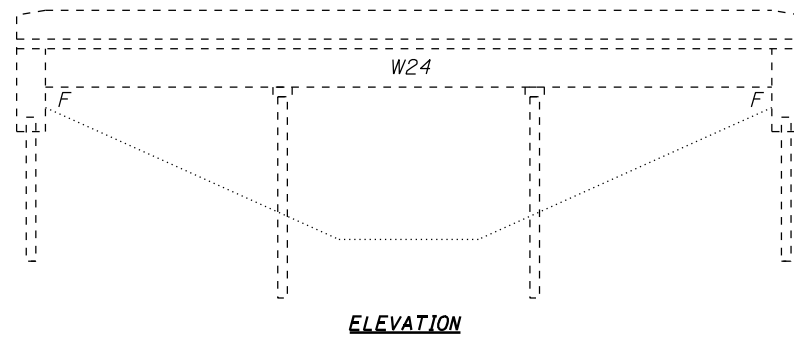
USER NAME = sablayzn	DESIGNED -	REVISED -
	DRAWN -	REVISED -
PLOT SCALE = 100,0000' / in.	CHECKED -	REVISED -
PLOT DATE = 3/24/2022	DATE -	REVISED -

**STATE OF ILLINOIS  
DEPARTMENT OF TRANSPORTATION**

**TRAFFIC STAGING PLAN**

SCALE: SHEET OF SHEETS STA. TO STA.

F.A.P. RTE. 558	SECTION (123B-1)BDR	COUNTY PIKE	TOTAL SHEETS 9	SHEET NO. 6
CONTRACT NO. 72N38			ILLINOIS FED. AID PROJECT	



Expires 11/30/2022

*Jayme F. Schiff*

**TOTAL BILL OF MATERIAL (075-0135)**

ITEM	UNIT	QUANTITY
Deck Slab Repair (Partial)	Sq. Yd.	13
Approach Slab Repair (Partial Depth)	Sq. Yd.	34
Deck Slab Repair (Full Depth, Type II) *	Sq. Yd.	5
Protective Coat	Sq. Yd.	52
Joint Sealing (Patches)	Foot	763

\* No FD patches anticipated, nominal quantity included

**STRUCTURE GENERAL NOTES:**

PRIOR TO POURING THE NEW CONCRETE PATCHES, ALL HEAVY OR LOOSE MILL SCALE AND OTHER LOOSE OR POTENTIALLY DETRIMENTAL FOREIGN MATERIAL SHALL BE REMOVED FROM THE SURFACES IN CONTACT WITH CONCRETE. TIGHTLY ADHERED PAINT MAY REMAIN UNLESS OTHERWISE NOTED. REMOVAL SHALL BE ACCOMPLISHED BY METHODS THAT WILL NOT DAMAGE THE STEEL AND THE COST WILL BE INCLUDED IN CONCRETE REMOVAL.

PLAN DIMENSIONS AND DETAILS RELATIVE TO EXISTING PLANS ARE SUBJECT TO NOMINAL CONSTRUCTION VARIATIONS. THE CONTRACTOR SHALL FIELD VERIFY EXISTING DIMENSIONS AND DETAILS AFFECTING NEW CONSTRUCTION AND MAKE NECESSARY APPROVED ADJUSTMENTS PRIOR TO CONSTRUCTION OR ORDERING OF MATERIALS. SUCH VARIATIONS SHALL NOT BE CAUSE FOR ADDITIONAL COMPENSATION FOR A CHANGE IN THE SCOPE OF WORK, HOWEVER, THE CONTRACTOR WILL BE PAID FOR THE QUANTITY ACTUALLY FURNISHED AT THE UNIT PRICE BID FOR THE WORK.

EXISTING REINFORCEMENT BARS EXTENDING INTO THE REMOVAL AREA SHALL BE CLEANED, STRAIGHTENED, AND INCORPORATED INTO THE NEW CONSTRUCTION. ANY REINFORCEMENT BARS THAT ARE DAMAGED DURING CONCRETE REMOVAL SHALL BE REPLACED WITH AN APPROVED BAR SPLICER OR ANCHORAGE SYSTEM. COST INCLUDED WITH CONCRETE REMOVAL.

MODEL: D:\p\11... FILE NAME: S:\b\11... 0750135.dwg

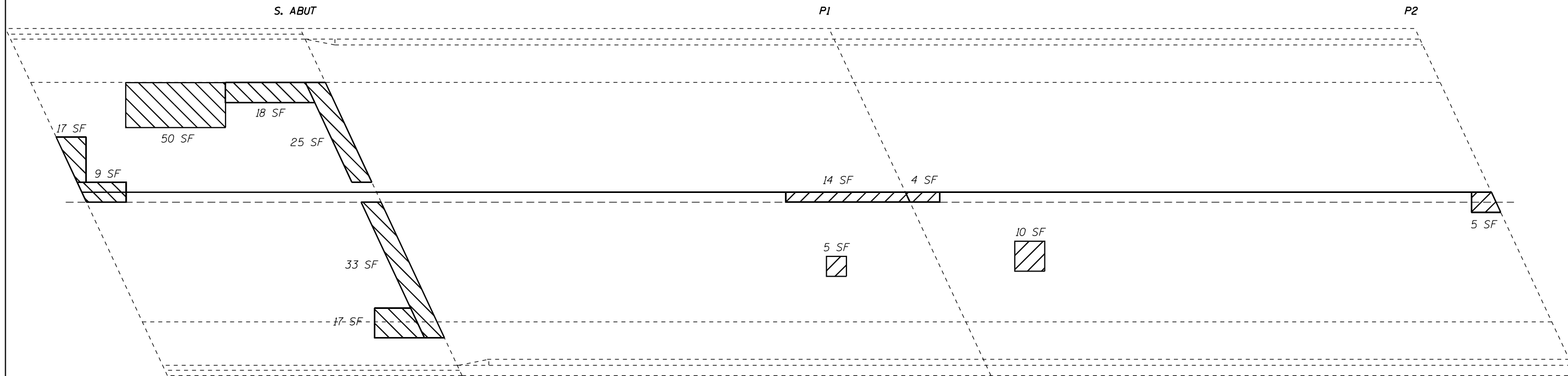
USER NAME = sablayzn	DESIGNED - BRANDON DUDLEY	REVISED -
	DRAWN - BRANDON DUDLEY	REVISED -
PLOT SCALE = 100,0000' / in.	CHECKED -	REVISED -
PLOT DATE = 3/24/2022	DATE - 6/15/21	REVISED -

**STATE OF ILLINOIS  
DEPARTMENT OF TRANSPORTATION**

**BRIDGE PLAN & ELEVATION  
SN 075-0135**

SCALE: SHEET 1 OF 3 SHEETS STA. TO STA.

F.A.P. RTE.	SECTION	COUNTY	TOTAL SHEETS	SHEET NO.
558	(123B-1)BDR	PIKE	9	7
CONTRACT NO. 72N38			ILLINOIS FED. AID PROJECT	



**PLAN**

- APPROACH SLAB REPAIR (PARTIAL DEPTH)
- DECK SLAB REPAIR (PARTIAL)

**NOTES:**

IDENTIFIED PATCHING LOCATIONS ARE ESTIMATED FROM A DECK SURVEY PERFORMED ON 9/1/2020. THE PATCHING SURVEY IS INCLUDED FOR INFORMATION ONLY. THE ENGINEER SHALL LAY OUT ACTUAL PATCH LOCATIONS IN THE FIELD.

THE ENGINEER SHALL SHOW ACTUAL LOCATIONS OF DECK REPAIRS ON AS-BUILT PLANS.

PATCHES THAT SPAN ACROSS THE DECK/ABUTMENT CONSTRUCTION JOINT SHALL RECEIVE A 3/4" DEEP SAW CUT TO RE-ESTABLISH THE JOINT.

JOINT SEALING (PATCHES) SHALL BE APPLIED IN LOCATIONS AS DIRECTED IN THE SPECIAL PROVISIONS, ALONG THE ENTIRE LENGTH OF THE EXISTING STAGE CONSTRUCTION LINE, AND ALONG THE CONSTRUCTION JOINTS BETWEEN THE DECK AND APPROACHES.

**SLAB REPAIR BILL OF MATERIAL**

ITEM	UNIT	QUANTITY
Deck Slab Repair (Partial)	Sq. Yd.	13
Approach Slab Repair (Partial Depth)	Sq. Yd.	34
Deck Slab Repair (Full Depth, Type II) *	Sq. Yd.	5
Protective Coat	Sq. Yd.	52
Joint Sealing (Patches)	Foot	763

\* No FD patches anticipated, nominal quantity included

MODEL: Default  
FILE NAME: S:\Addresses\Bridges\BDR\_0750135\_deck\_repair\plan\sheet.dgn

USER NAME = sablayzn	DESIGNED -	REVISED -
	DRAWN -	REVISED -
PLOT SCALE = 100,0000' / in.	CHECKED -	REVISED -
PLOT DATE = 3/24/2022	DATE -	REVISED -

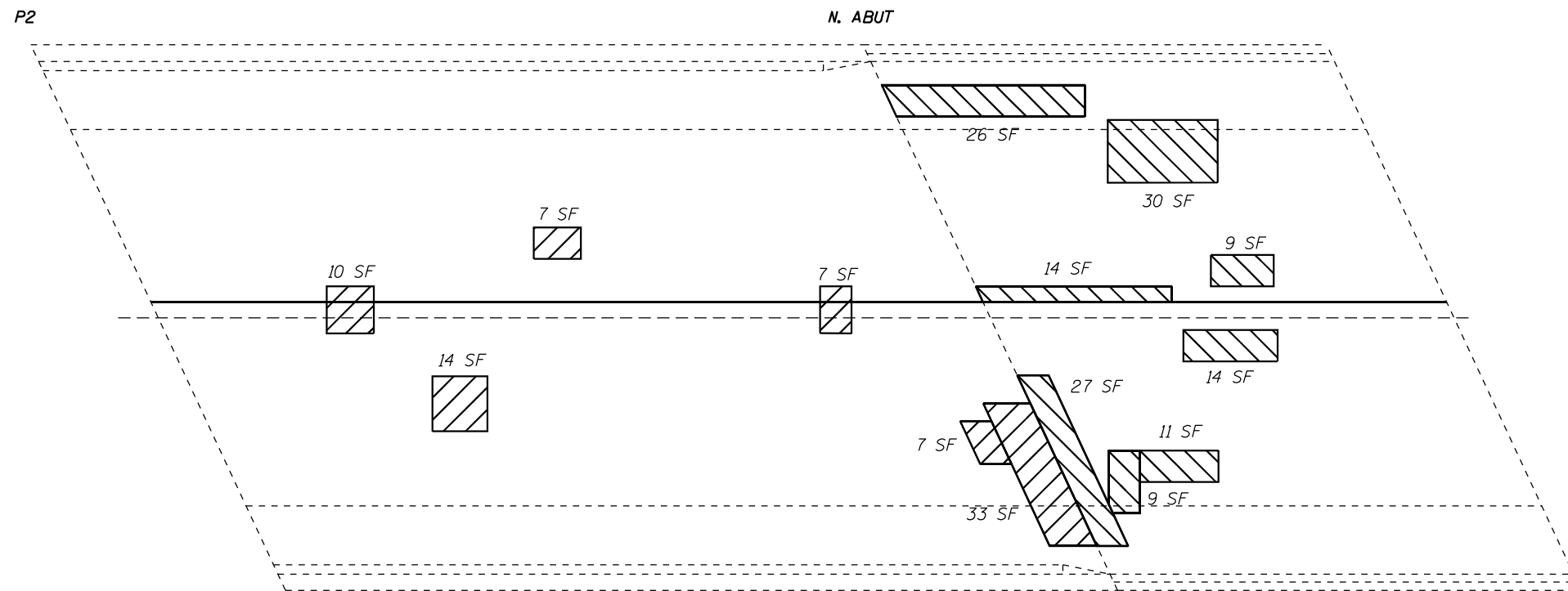
**STATE OF ILLINOIS  
DEPARTMENT OF TRANSPORTATION**

**SLAB REPAIR DETAIL  
SN 075-0135**

SCALE: SHEET 2 OF 3 SHEETS STA. TO STA.

F.A.P. RTE.	SECTION	COUNTY	TOTAL SHEETS	SHEET NO.
558	(123B-1)BDR	PIKE	9	8
CONTRACT NO. 72N38			ILLINOIS FED. AID PROJECT	





**PLAN**



APPROACH SLAB REPAIR (PARTIAL DEPTH)



DECK SLAB REPAIR (PARTIAL)

**NOTES:**

IDENTIFIED PATCHING LOCATIONS ARE ESTIMATED FROM A DECK SURVEY PERFORMED ON 9/1/2020. THE PATCHING SURVEY IS INCLUDED FOR INFORMATION ONLY. THE ENGINEER SHALL LAY OUT ACTUAL PATCH LOCATIONS IN THE FIELD.

THE ENGINEER SHALL SHOW ACTUAL LOCATIONS OF DECK REPAIRS ON AS-BUILT PLANS.

PATCHES THAT SPAN ACROSS THE DECK/ABUTMENT CONSTRUCTION JOINT SHALL RECEIVE A 3/4" DEEP SAW CUT TO RE-ESTABLISH THE JOINT.

JOINT SEALING (PATCHES) SHALL BE APPLIED IN LOCATIONS AS DIRECTED IN THE SPECIAL PROVISIONS, ALONG THE ENTIRE LENGTH OF THE EXISTING STAGE CONSTRUCTION LINE, AND ALONG THE CONSTRUCTION JOINTS BETWEEN THE DECK AND APPROACHES.

MODEL: Default  
FILE NAME: S:\Addresses\Bridges\plans\_CAD\72N38 - 0750135 deck patching\plan sheet.dgn

USER NAME = sablayzn	DESIGNED - BRANDON DUDLEY	REVISED -
	DRAWN - BRANDON DUDLEY	REVISED -
PLOT SCALE = 100,0000' / in.	CHECKED -	REVISED -
PLOT DATE = 3/24/2022	DATE - 6/15/21	REVISED -

**STATE OF ILLINOIS  
DEPARTMENT OF TRANSPORTATION**

**BRIDGE PLAN & ELEVATION  
SN 075-0135**

SCALE: SHEET 3 OF 3 SHEETS STA. TO STA.

F.A.P. RTE.	SECTION	COUNTY	TOTAL SHEETS	SHEET NO.
558	(123B-1)BDR	PIKE	9	9
			CONTRACT NO. 72N38	
ILLINOIS FED. AID PROJECT				