

STATE OF ILLINOIS
DEPARTMENT OF TRANSPORTATION

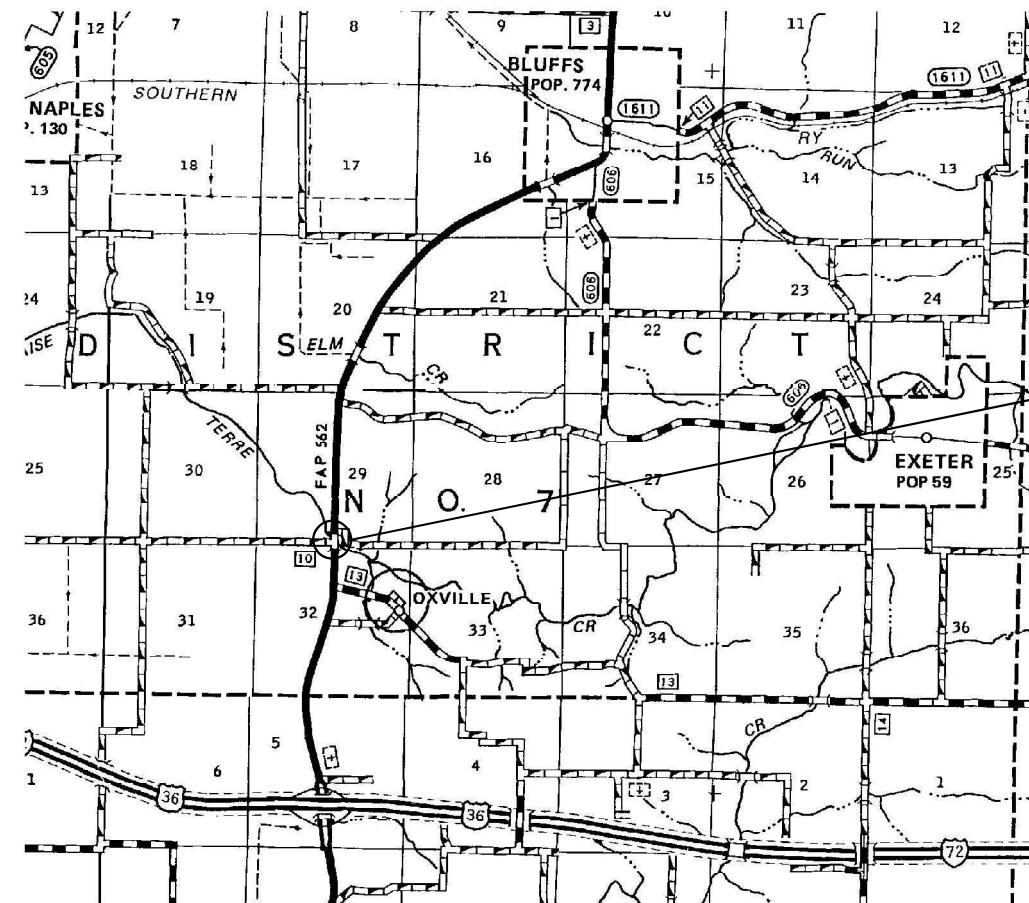
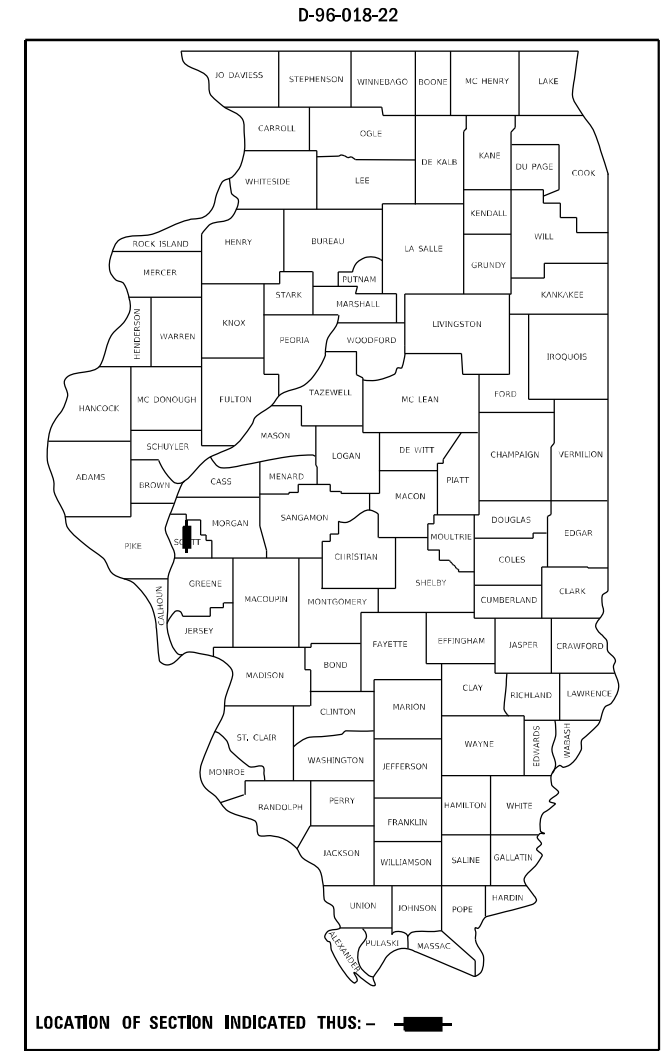
F.A.P. RTE.	SECTION	COUNTY	TOTAL SHEETS	SHEET NO.
562	(117B-3)BDR	SCOTT	9	1
		ILLINOIS	CONTRACT NO. 72N41	

FOR INDEX OF SHEETS, SEE SHEET NO. 2

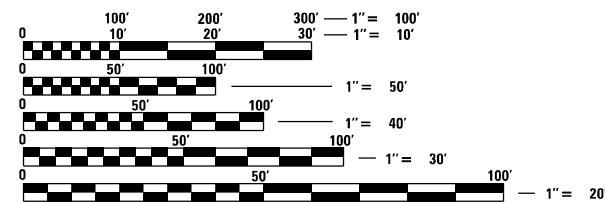
PROPOSED HIGHWAY PLANS

F.A.P. ROUTE 562 (IL 100)
SECTION (117B-3)BDR
PROJECT (STATE)
BRIDGE DECK REPAIRS
SCOTT COUNTY

C-96-022-22



PROJECT LOCATION
SN 086-0500
IL 100 OVER
MAUVAISE TERRE CREEK
1.8 MI N of I-72



FULL SIZE PLANS HAVE BEEN PREPARED USING STANDARD ENGINEERING SCALES, REDUCED SIZED PLANS WILL NOT CONFORM TO STANDARD SCALES. IN MAKING MEASUREMENTS ON REDUCED PLANS, THE ABOVE SCALES MAY BE USED.

J.U.L.I.E.
JOINT UTILITY LOCATION INFORMATION FOR EXCAVATORS
1-800-892-0123
OR 811

BRIDGE MAINTENANCE ENGINEER: BRANDON DUDLEY – (217) 785-9290
DESIGNER: MACIAH MIDDLETON
CONTRACT NO. 72N41

GROSS LENGTH = 912.07 FT. = 0.173 MILE
NET LENGTH = 912.07 FT. = 0.173 MILE

STATE OF ILLINOIS
DEPARTMENT OF TRANSPORTATION

SUBMITTED March 24, 2022

John P. May
REGIONAL ENGINEER

May 13, 2022 *Scott A. Etk*
ENGINEER OF DESIGN AND ENVIRONMENT

May 13, 2022 *Stephen M. Smith*
DIRECTOR OF HIGHWAYS PROJECT IMPLEMENTATION

PRINTED BY THE AUTHORITY
OF THE STATE OF ILLINOIS

INDEX OF SHEETS

- 1 COVER SHEET
- 2 INDEX, STANDARDS, SIGNATURES, & GENERAL NOTES
- 3 SUMMARY OF QUANTITIES
- 4 STAGING PLAN
- 5-6 TRAFFIC CONTROL PLANS
- 7-9 SN 086-0500 BRIDGE PLANS

STANDARDS

- 000001-08
- 001001-02
- 001006
- 701001-02
- 701006-05
- 701201-05
- 701301-04
- 701316-13
- 701901-08

GENERAL NOTES:

AREAS OF DECK REPAIRS SHOWN ARE ESTIMATED. THE ENGINEER SHALL SHOW ACTUAL LOCATIONS ON AS-BUILT PLANS.

**STATE OF ILLINOIS
DEPARTMENT OF TRANSPORTATION
DIVISION OF HIGHWAYS
DISTRICT 6**

EXAMINED March 21 20 22
[Signature]
ENGINEER OF OPERATIONS

EXAMINED March 14 20 22
[Signature]
ENGINEER OF PROJECT IMPLEMENTATION

EXAMINED March 18 20 22
[Signature]
ENGINEER OF PROGRAM DEVELOPMENT

MODEL Path: \\...
FILE NAME: G:\BANNEX_COMMON\Operations\Bridges\Bridges_CAD\72N41 - 0860500 deck_patching\plan-sheet.dgn

USER NAME = middletonm	DESIGNED -	REVISED -
	DRAWN -	REVISED -
PLOT SCALE = 100,0000 ' / in.	CHECKED -	REVISED -
PLOT DATE = 3/24/2022	DATE -	REVISED -

**STATE OF ILLINOIS
DEPARTMENT OF TRANSPORTATION**

**INDEX OF SHEETS, GENERAL NOTES,
HIGHWAY STANDARDS, & SIGNATURES**

SCALE: SHEET OF SHEETS STA. TO STA.

F.A.P. RTE.	SECTION	COUNTY	TOTAL SHEETS	SHEET NO.
562	(117B-3)BDR	SCOTT	9	2
CONTRACT NO. 72N41				
ILLINOIS FED. AID PROJECT				

0-02177-6002
 SN 086-0500
 100% STATE
 BRIDGE/RURAL
 0047
 SCOTT

CODE NO.	ITEM	UNIT	TOTAL QUANTITY	
50300300	PROTECTIVE COAT	SQ YD	96	96
67100100	MOBILIZATION	L SUM	1	1
70100100	TRAFFIC CONTROL AND PROTECTION, STANDARD 701316	EACH	1	1
70100450	TRAFFIC CONTROL AND PROTECTION, STANDARD 701201	L SUM	1	1
70106500	TEMPORARY BRIDGE TRAFFIC SIGNALS	EACH	1	1
70106700	TEMPORARY RUMBLE STRIPS	EACH	6	6
70107025	CHANGEABLE MESSAGE SIGNS	CAL DAY	60	60
X7200201	WIDTH RESTRICTION SIGNING	L SUM	1	1
Z0001800	APPROACH SLAB REPAIR (PARTIAL DEPTH)	SQ YD	9	9
Z0016002	DECK SLAB REPAIR (FULL DEPTH, TYPE II)	SQ YD	7	7
Z0016200	DECK SLAB REPAIR (PARTIAL)	SQ YD	80	80
Z0032500	JOINT SEALING (PATCHES)	FOOT	1365	1365

MODEL Path: \\...
 FILE NAME: G:\BANKEX_COMMON\Operations\Bridges\Bridges_CAD\72N41 - 0860500 deck patching\slabrepair.dgn

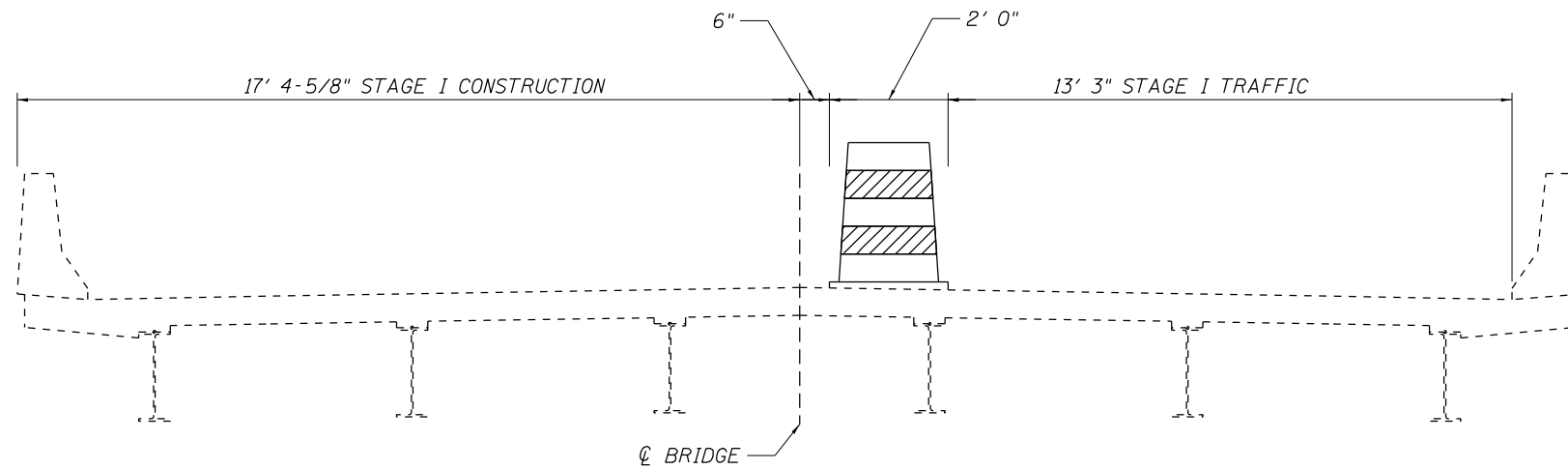
USER NAME = middletonm	DESIGNED -	REVISED -
	DRAWN -	REVISED -
PLOT SCALE = 100,0000 ' / in.	CHECKED -	REVISED -
PLOT DATE = 3/24/2022	DATE -	REVISED -

**STATE OF ILLINOIS
 DEPARTMENT OF TRANSPORTATION**

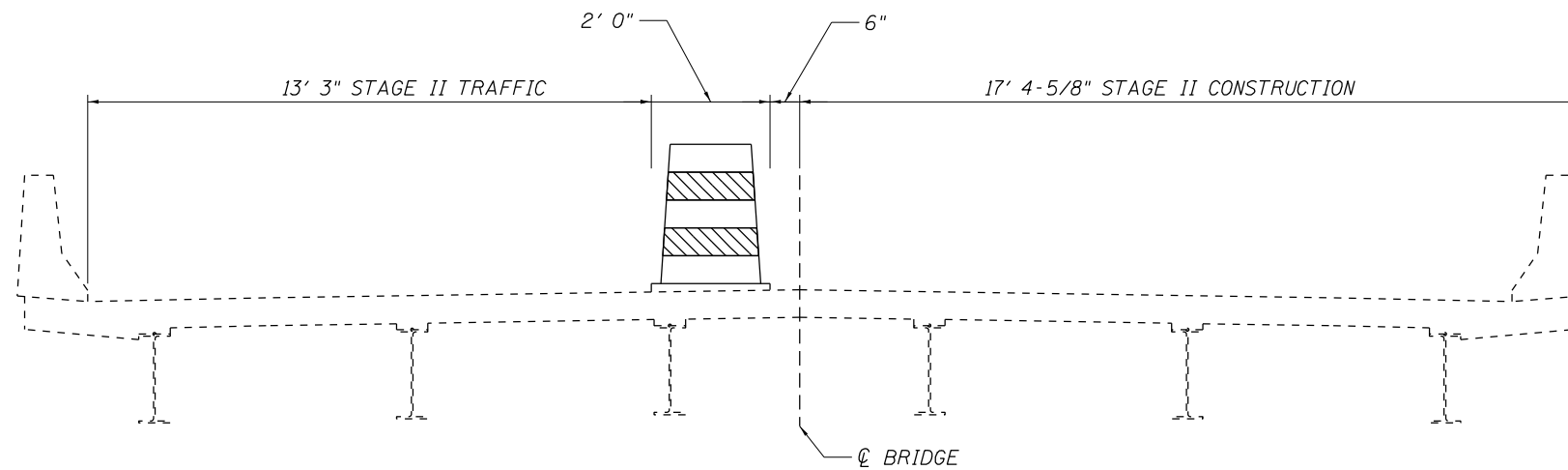
SUMMARY OF QUANTITIES

SCALE: SHEET OF SHEETS STA. TO STA.

F.A.P. RTE.	SECTION	COUNTY	TOTAL SHEETS	SHEET NO.
562	(117B-3)BDR	SCOTT	9	3
			CONTRACT NO. 72N41	
			ILLINOIS FED. AID PROJECT	



STAGE I TRAFFIC, LOOKING NORTH



STAGE II TRAFFIC, LOOKING NORTH

MODEL: Default
 FILE NAME: G:\BANKEX_COMMON\Operations\Bridges\Bridges_CAD\72N41 - 0869500 deck_patch\stage1sheet.dgn

USER NAME = middletonm	DESIGNED -	REVISED -
	DRAWN -	REVISED -
PLOT SCALE = 100,0000 ' / in.	CHECKED -	REVISED -
PLOT DATE = 3/24/2022	DATE -	REVISED -

STATE OF ILLINOIS
DEPARTMENT OF TRANSPORTATION

TRAFFIC STAGING PLAN

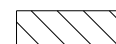


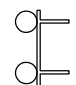

SCALE: SHEET OF SHEETS STA. TO STA.

F.A.P. RTE.	SECTION	COUNTY	TOTAL SHEETS	SHEET NO.
562	(117B-3)BDR	SCOTT	9	4
CONTRACT NO. 72N41			ILLINOIS FED. AID PROJECT	



STAGE 1 TRAFFIC CONTROL PLAN

SYMBOLS

-  WORK AREA
-  TRAFFIC SIGNAL
-  DRUM
-  TYPE III BARRICADE WITH FLASHING LIGHTS
-  DRUM WITH STEADY BURNING BI-DIRECTIONAL LIGHT

TRAFFIC CONTROL NOTES:

1. TRAFFIC CONTROL DEVICES NOT SHOWN IN THIS DETAIL SHALL BE PER STANDARD 701316. DEVICES AND TEMPORARY PAVEMENT MARKINGS SHOWN IN THIS DETAIL SHALL BE INCLUDED IN THE COST OF TRAFFIC CONTROL AND PROTECTION, STANDARD 701316.

MODEL: Default
FILE NAME: C:\D\GANNEX_COMMON\Operations\Bridges\Bridges\plans\C40172N41 - 0860500_cock_patch\trfplnshsct.dgn

USER NAME = middletonm	DESIGNED -	REVISED -
	DRAWN -	REVISED -
PLOT SCALE = 100,0000 ' / in.	CHECKED -	REVISED -
PLOT DATE = 3/24/2022	DATE -	REVISED -

**STATE OF ILLINOIS
DEPARTMENT OF TRANSPORTATION**

STAGE 1 TRAFFIC CONTROL PLAN

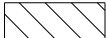


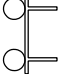

SCALE: SHEET OF SHEETS STA. TO STA.

F.A.P. RTE.	SECTION	COUNTY	TOTAL SHEETS	SHEET NO.
562	(117B-3)BDR	SCOTT	9	5
CONTRACT NO. 72N41				
ILLINOIS FED. AID PROJECT				



STAGE II TRAFFIC CONTROL PLAN

SYMBOLS

-  WORK AREA
-  TRAFFIC SIGNAL
-  DRUM
-  TYPE III BARRICADE WITH FLASHING LIGHTS
-  DRUM WITH STEADY BURNING BI-DIRECTIONAL LIGHT

TRAFFIC CONTROL NOTES:

1. TRAFFIC CONTROL DEVICES NOT SHOWN IN THIS DETAIL SHALL BE PER STANDARD 701316. DEVICES AND TEMPORARY PAVEMENT MARKINGS SHOWN IN THIS DETAIL SHALL BE INCLUDED IN THE COST OF TRAFFIC CONTROL AND PROTECTION, STANDARD 701316.

MODEL: Default
FILE NAME: C:\DORANNEY_COMMON\Operations\Bridges\Bridges\plans\C40172N41 - 0860500_cock_patch\trfplnshsct.dgn

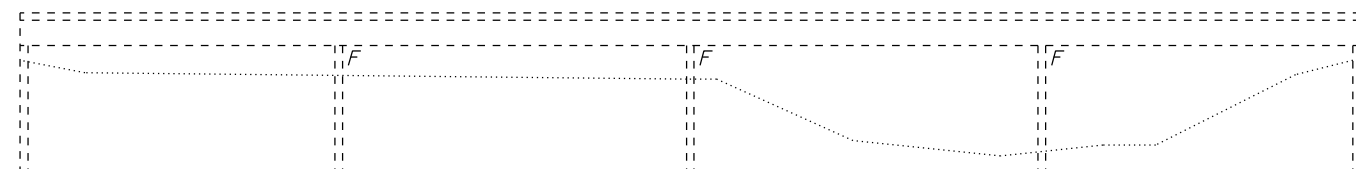
USER NAME = middletonm	DESIGNED -	REVISED -
	DRAWN -	REVISED -
PLOT SCALE = 100,0000 ' / in.	CHECKED -	REVISED -
PLOT DATE = 3/24/2022	DATE -	REVISED -

**STATE OF ILLINOIS
DEPARTMENT OF TRANSPORTATION**

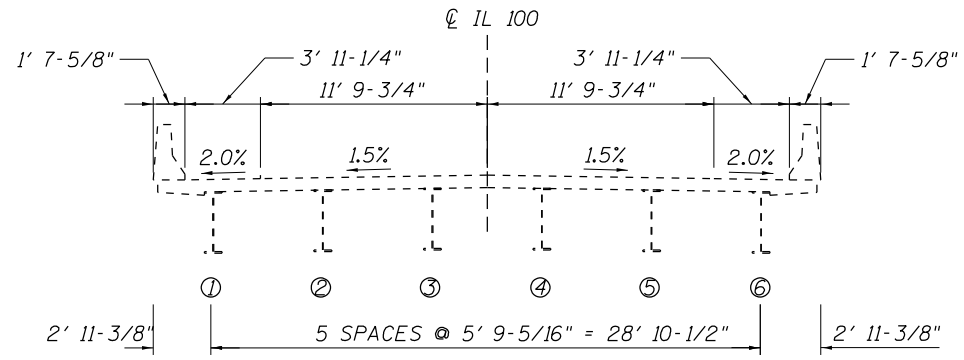
STAGE 1 TRAFFIC CONTROL PLAN

SCALE: SHEET OF SHEETS STA. TO STA.

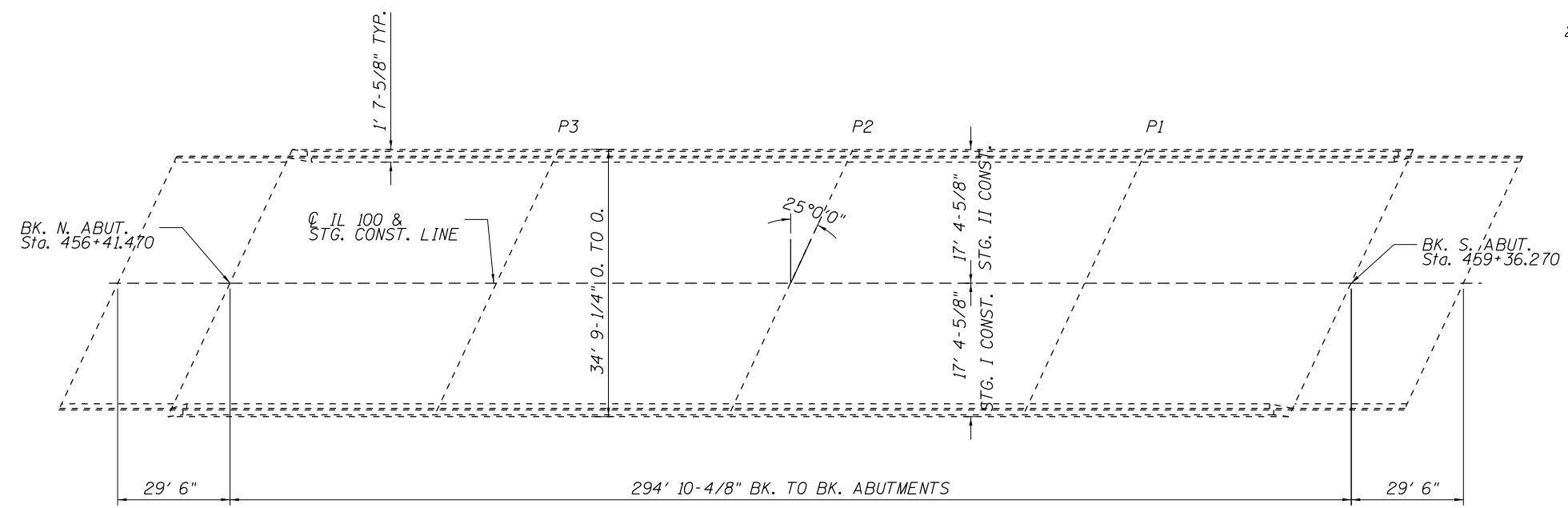
F.A.P. RTE. 562	SECTION (117B-3)BDR	COUNTY SCOTT	TOTAL SHEETS 9	SHEET NO. 6
CONTRACT NO. 72N41				
ILLINOIS FED. AID PROJECT				



ELEVATION



CROSS SECTION - LOOKING NORTH



PLAN



Expires 11/30/2022

Jayme F. Schuff

TOTAL BILL OF MATERIAL (086-0500)

ITEM	UNIT	QUANTITY
Deck Slab Repair (Partial)	Sq. Yd.	80
Approach Slab Repair (Partial Depth)	Sq. Yd.	9
Deck Slab Repair (Full Depth, Type II)	Sq. Yd.	7
Joint Sealing (Patches)	Foot	1365
Protective Coat	Sq. Yd.	96

STRUCTURE GENERAL NOTES:

PRIOR TO POURING THE NEW CONCRETE PATCHES, ALL HEAVY OR LOOSE MILL SCALE AND OTHER LOOSE OR POTENTIALLY DETRIMENTAL FOREIGN MATERIAL SHALL BE REMOVED FROM THE SURFACES IN CONTACT WITH CONCRETE. TIGHTLY ADHERED PAINT MAY REMAIN UNLESS OTHERWISE NOTED. REMOVAL SHALL BE ACCOMPLISHED BY METHODS THAT WILL NOT DAMAGE THE STEEL AND THE COST WILL BE INCLUDED IN CONCRETE REMOVAL.

PLAN DIMENSIONS AND DETAILS RELATIVE TO EXISTING PLANS ARE SUBJECT TO NOMINAL CONSTRUCTION VARIATIONS. THE CONTRACTOR SHALL FIELD VERIFY EXISTING DIMENSIONS AND DETAILS AFFECTING NEW CONSTRUCTION AND MAKE NECESSARY APPROVED ADJUSTMENTS PRIOR TO CONSTRUCTION OR ORDERING OF MATERIALS. SUCH VARIATIONS SHALL NOT BE CAUSE FOR ADDITIONAL COMPENSATION FOR A CHANGE IN THE SCOPE OF WORK, HOWEVER, THE CONTRACTOR WILL BE PAID FOR THE QUANTITY ACTUALLY FURNISHED AT THE UNIT PRICE BID FOR THE WORK.

EXISTING REINFORCEMENT BARS EXTENDING INTO THE REMOVAL AREA SHALL BE CLEANED, STRAIGHTENED, AND INCORPORATED INTO THE NEW CONSTRUCTION. ANY REINFORCEMENT BARS THAT ARE DAMAGED DURING CONCRETE REMOVAL SHALL BE REPLACED WITH AN APPROVED BAR SPLICER OR ANCHORAGE SYSTEM. COST INCLUDED WITH CONCRETE REMOVAL.

FULL DEPTH PATCHES SHALL BE COVERED WITH STEEL PLATES WHEN WORKERS ARE NOT PRESENT.

MODEL: Default
FILE NAME: C:\D\GANNEX\COMMON\Operations\Bridges\Bridges\plan_0860500_deck_patching\planSheet.dgn

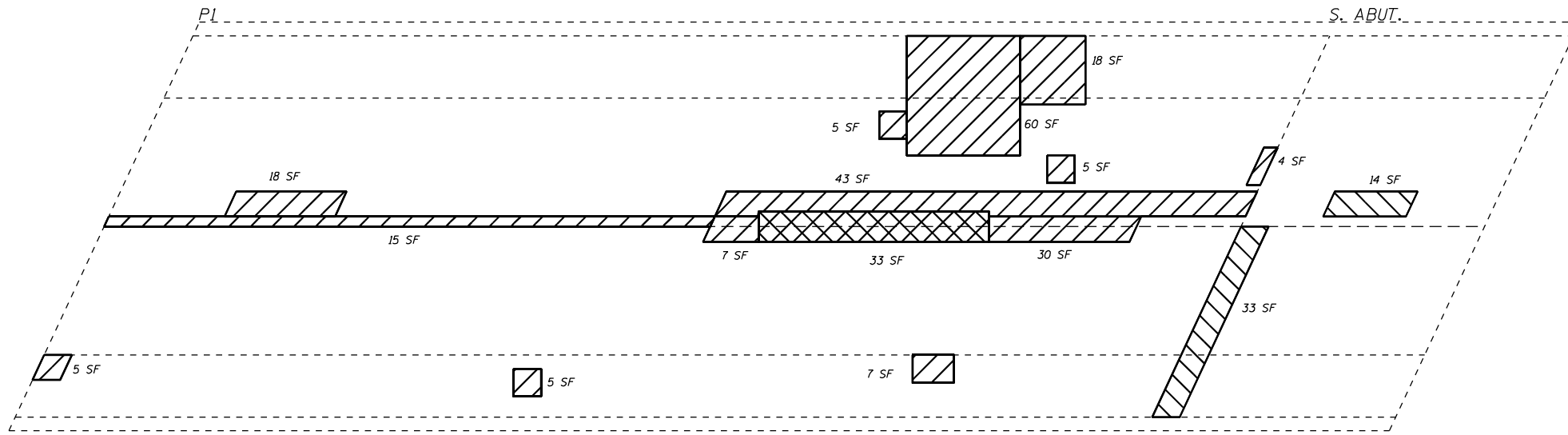
USER NAME = midletonm	DESIGNED -	REVISED -
	DRAWN -	REVISED -
PLOT SCALE = 100,0000 ' / in.	CHECKED -	REVISED -
PLOT DATE = 3/24/2022	DATE -	REVISED -

**STATE OF ILLINOIS
DEPARTMENT OF TRANSPORTATION**

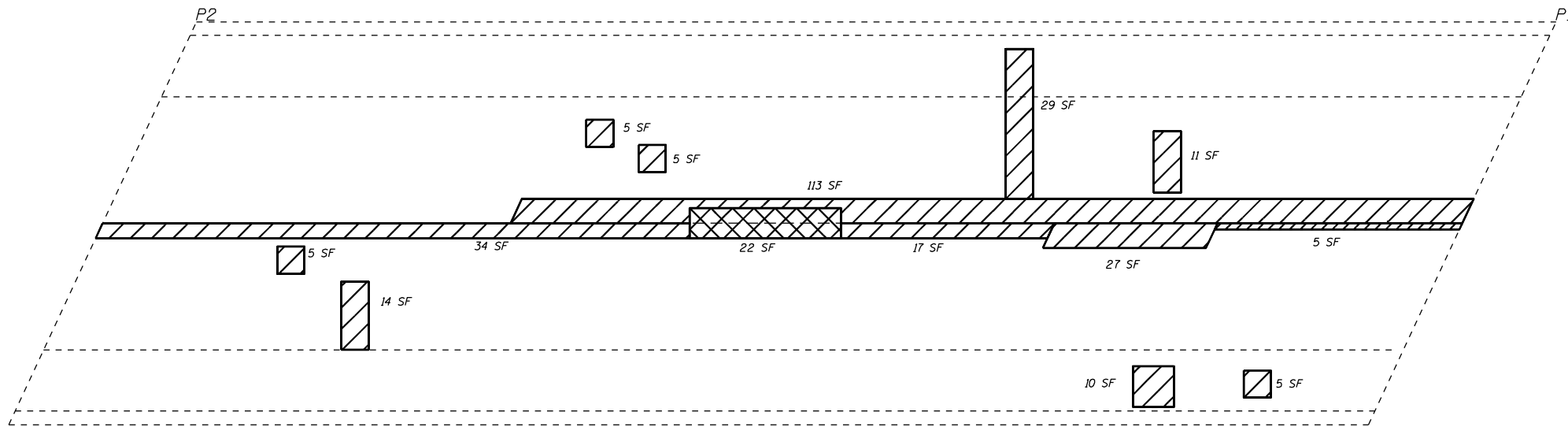
**BRIDGE PLAN & ELEVATION
SN 086-0500**

SCALE: SHEET OF SHEETS STA. TO STA.

F.A.P. RTE. 562	SECTION (117B-3)BDR	COUNTY SCOTT	TOTAL SHEETS 9	SHEET NO. 7
CONTRACT NO. 72N41				
ILLINOIS FED. AID PROJECT				



PARTIAL PLAN



PARTIAL PLAN

- APPROACH SLAB REPAIR (PARTIAL DEPTH)
- DECK SLAB REPAIR (FULL DEPTH, TYPE II)
- DECK SLAB REPAIR (PARTIAL)

NOTES:

IDENTIFIED PATCHING LOCATIONS ARE ESTIMATED FROM A DECK SURVEY PERFORMED ON 4/1/2021. THE PATCHING SURVEY IS INCLUDED FOR INFORMATION ONLY. THE ENGINEER SHALL LAY OUT ACTUAL PATCH LOCATIONS IN THE FIELD.

THE ENGINEER SHALL SHOW ACTUAL LOCATIONS OF DECK REPAIRS ON AS-BUILT PLANS.

PATCHES THAT SPAN ACROSS THE DECK/ABUTMENT CONSTRUCTION JOINT SHALL RECEIVE A 3/4" DEEP SAW CUT TO RE-ESTABLISH THE JOINT.

JOINT SEALING (PATCHES) SHALL BE APPLIED IN LOCATIONS AS DIRECTED IN THE SPECIAL PROVISIONS, ALONG THE ENTIRE LENGTH OF THE EXISTING STAGE CONSTRUCTION LINE, AND ALONG THE CONSTRUCTION JOINTS BETWEEN THE DECK AND APPROACHES.

SLAB REPAIR BILL OF MATERIAL

ITEM	UNIT	QUANTITY
Deck Slab Repair (Partial)	Sq. Yd.	80
Approach Slab Repair (Partial Depth)	Sq. Yd.	9
Deck Slab Repair (Full Depth, Type II)	Sq. Yd.	7
Joint Sealing (Patches)	Foot	1365
Protective Coat	Sq. Yd.	96

MODEL: Default
FILE NAME: C:\D\GANNEY_COMMON\Operations\Bridges\Bridges\plans\C40172N41 - 0860500 deck_patching\plansheet.dgn

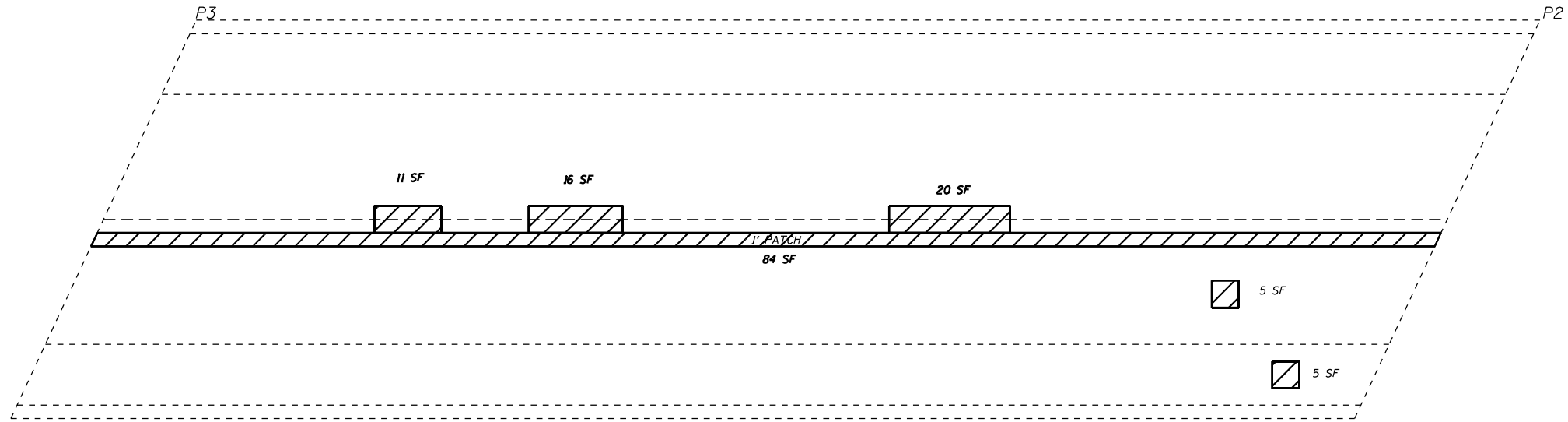
USER NAME = midletonm	DESIGNED -	REVISED -
	DRAWN -	REVISED -
PLOT SCALE = 100,0000' / in.	CHECKED -	REVISED -
PLOT DATE = 3/24/2022	DATE -	REVISED -

**STATE OF ILLINOIS
DEPARTMENT OF TRANSPORTATION**

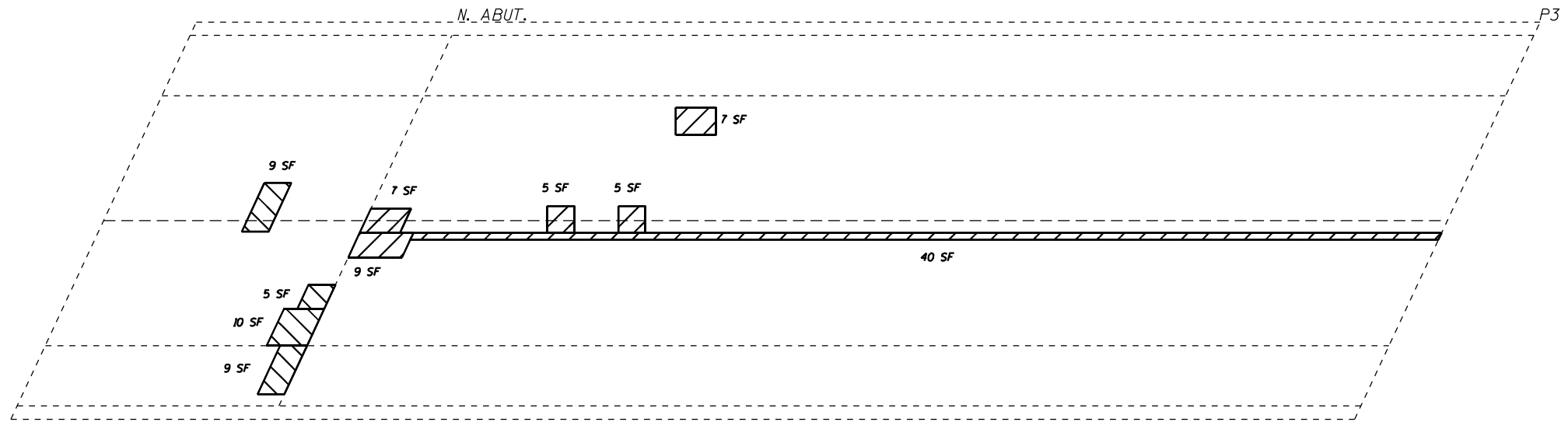
**SLAB REPAIR DETAIL
SN 086-0500**

SCALE: SHEET 1 OF 2 SHEETS STA. TO STA.

F.A.P. RTE. 562	SECTION (117B-3)BDR	COUNTY SCOTT	TOTAL SHEETS 9	SHEET NO. 8
CONTRACT NO. 72N41				
ILLINOIS FED. AID PROJECT				



PARTIAL PLAN



PARTIAL PLAN

- APPROACH SLAB REPAIR (PARTIAL DEPTH)
- DECK SLAB REPAIR (FULL DEPTH, TYPE II)
- DECK SLAB REPAIR (PARTIAL)

NOTES:

IDENTIFIED PATCHING LOCATIONS ARE ESTIMATED FROM A DECK SURVEY PERFORMED ON 9/1/2020. THE PATCHING SURVEY IS INCLUDED FOR INFORMATION ONLY. THE ENGINEER SHALL LAY OUT ACTUAL PATCH LOCATIONS IN THE FIELD.

THE ENGINEER SHALL SHOW ACTUAL LOCATIONS OF DECK REPAIRS ON AS-BUILT PLANS.

PATCHES THAT SPAN ACROSS THE DECK/ABUTMENT CONSTRUCTION JOINT SHALL RECEIVE A 3/4" DEEP SAW CUT TO RE-ESTABLISH THE JOINT.

JOINT SEALING (PATCHES) SHALL BE APPLIED IN LOCATIONS AS DIRECTED IN THE SPECIAL PROVISIONS, ALONG THE ENTIRE LENGTH OF THE EXISTING STAGE CONSTRUCTION LINE, AND ALONG THE CONSTRUCTION JOINTS BETWEEN THE DECK AND APPROACHES.

MODEL: Default
FILE NAME: G:\BANKEX_COMMON\Operations\Bridges\Bans_CAD\72N41 - 0860500 deck_patching\slabsheet.dgn

USER NAME = middletonm	DESIGNED -	REVISED -
	DRAWN -	REVISED -
PLOT SCALE = 100,0000' / in.	CHECKED -	REVISED -
PLOT DATE = 3/24/2022	DATE -	REVISED -

**STATE OF ILLINOIS
DEPARTMENT OF TRANSPORTATION**

**SLAB REPAIR DETAIL
SN 086-0500**

SCALE: SHEET 2 OF 2 SHEETS STA. TO STA.

F.A.P. RTE.	SECTION	COUNTY	TOTAL SHEETS	SHEET NO.
562	(117B-3)BDR	SCOTT	9	9
CONTRACT NO. 72N41				
ILLINOIS FED. AID PROJECT				