

TRAFFIC CONTROL NOTES

1. PRIMARY DETOUR ROUTE: TAKE RAMP ES TO EXIT AT TAYLOR ST. TAKE ROOSEVELT RD EB TO NB STATE ST TO CONGRESS PARKWAY.
2. DETOUR SIGNING MUST BE INSTALLED PRIOR TO THE CLOSURE OF EB I-290.
3. ROAD CLOSURE SHALL FOLLOW THE LATEST VERSION OF THE IDOT HIGHWAY STANDARDS AND DISTRICT 1 STANDARD DETAIL TC-08. SEE SUGGESTED STAGES OF CONSTRUCTION AND TRAFFIC CONTROL PLANS FOR ADDITIONAL INFORMATION.
4. PLACEMENT AND SPACING OF SIGNS AND BARRICADES SHALL BE IN ACCORDANCE WITH IDOT DISTRICT 1 STANDARD DETAIL TC-08 AND TC-21.
5. ALL DETOUR SIGNS SHALL HAVE AN ORANGE BACKGROUND WITH BLACK LETTERS.
6. THE CONTRACTOR IS RESPONSIBLE FOR COORDINATION WITH OTHER ROAD WORK IN THE AREA.
7. THE COST OF SUPPLYING, ERECTING AND MAINTAINING BARRICADES, WARNING LIGHTS AND STANDARD SIGNS ALONG ALL DETOUR ROUTES SHALL BE INCLUDED IN THE CONTRACT COST OF TRAFFIC CONTROL AND PROTECTION (SPECIAL).
8. THIS DETOUR CAN ONLY BE USED DURING GIRDER ERECTION. REFER TO SPECIAL PROVISION "GIRDER ERECTION INFORMATION AND RESTRICTIONS" FOR ADDITIONAL INFORMATION.



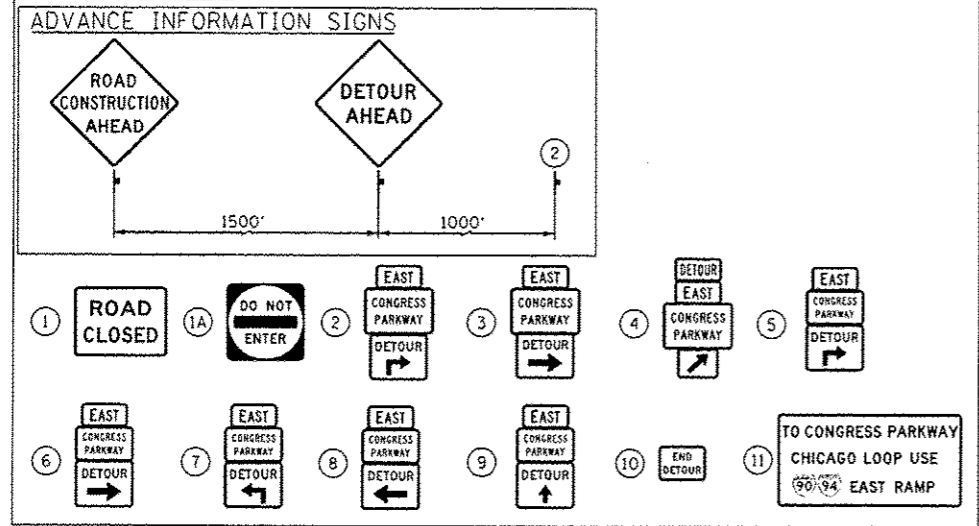
DETOUR SIGNS TYPE & SIZE

(ALL SIGN COLORS SHALL BE ACCORDING TO THE LATEST EDITION OF THE MUTCD)

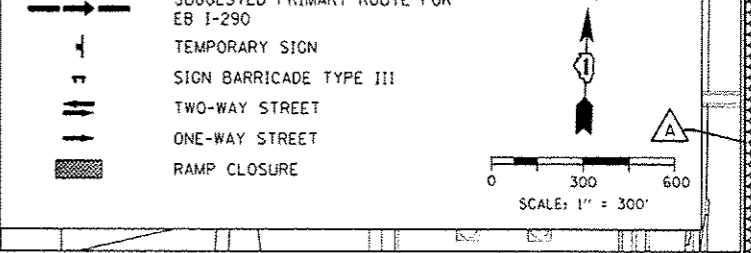
	R5-1 (48"x48")		W20-2 (48"x48")
	R11-2 SEE TC-21 FOR SIGN INFORMATION (48"x30")		W20-1103-48
	M3-2 (24"x12")		
	M4-8A (24"x18")		
	M4-9R (30"x24")		CUSTOM SPECIAL - LOCAL ROAD BLACK LETTERS ON ORANGE BACKGROUND (30"x18")
	M4-9L (30"x24")		CUSTOM SPECIAL - INTERSTATE BLACK LETTERS ON ORANGE BACKGROUND (36"x24")
	M4-9 (30"x24")		CUSTOM SPECIAL - INTERSTATE BLACK LETTERS ON ORANGE BACKGROUND (96"x48")
	M6-2A (21"x15")		

* TO BE PAID FOR AS TEMPORARY INFORMATION SIGNING

SIGN ASSEMBLIES



LEGEND



FILE PATH: C:\Program Files\Autodesk\AutoCAD 2014\Projects\60W28\1-Detour-08.dgn



D:\60W28\1-Detour-08.dgn
 USER NAME: brossaj
 PLOT SCALE: 600.0000 1/ in.
 PLOT DATE: 5/27/2014

DESIGNED - AFC	REVISED - 05/27/2014
DRAWN - AFC	REVISED -
CHECKED - KCF	REVISED -
DATE - 4/28/2014	REVISED -

**STATE OF ILLINOIS
DEPARTMENT OF TRANSPORTATION**

**DETOUR PLAN
EB I-290 (GIRDER ERECTION)**
 SCALE: 1" = 300' SHEET 1 OF 1 SHEETS STA. TO STA.

F.A.I. RTE.	SECTION	COUNTY	TOTAL SHEETS	SHEET NO.
90/94/290	2013-010R	COOK	747	900
CONTRACT NO. 60W28			ILLINOIS FED. AID PROJECT	