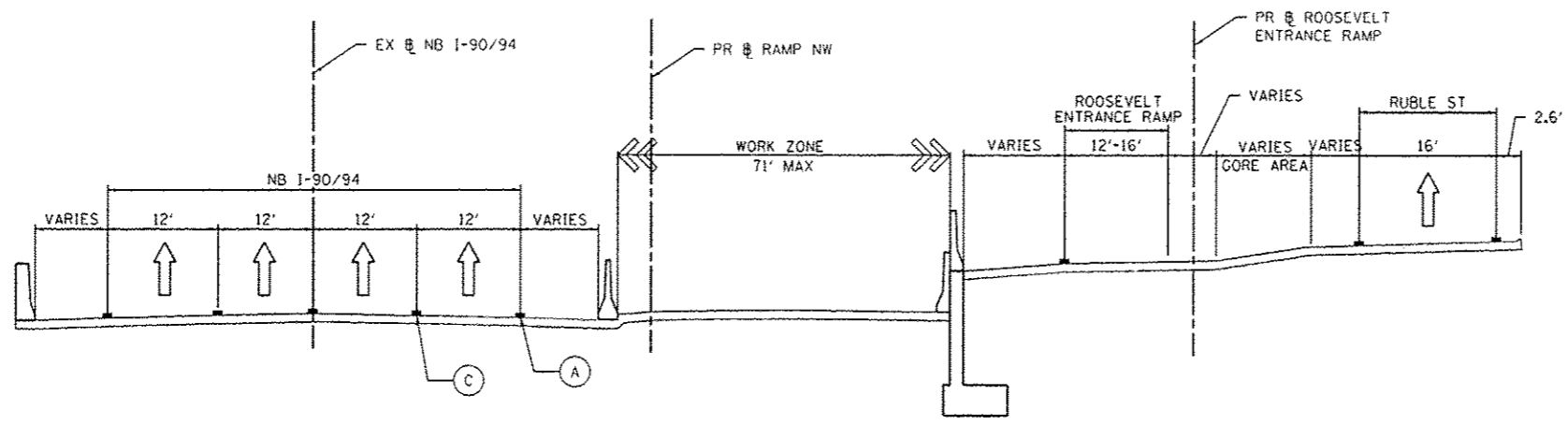
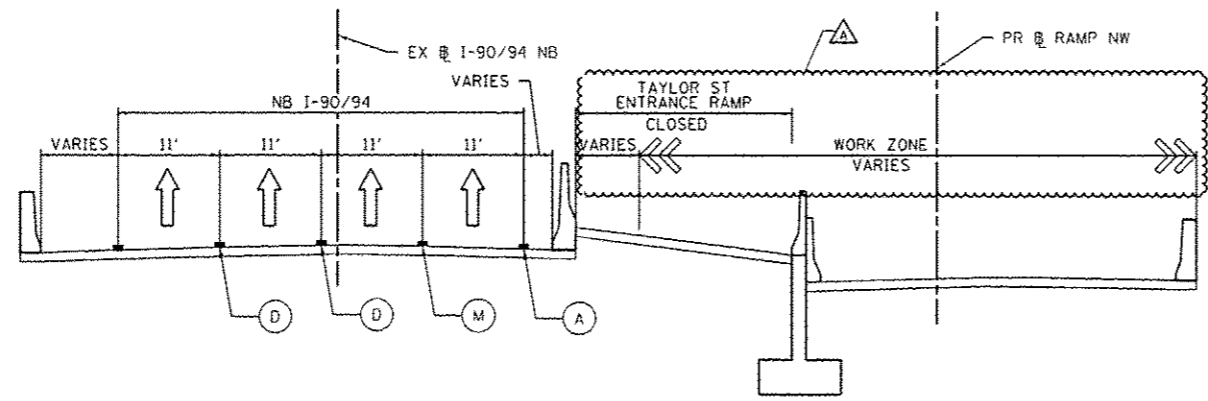


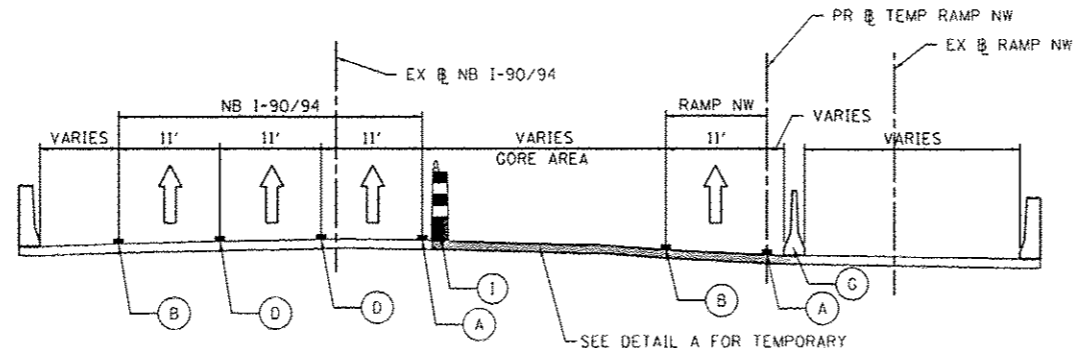
FILE: P:\11-288037-parallel-express-lane-local\PMAC\Drawings\11-288037-parallel-express-lane-local\Drawings\11-288037-parallel-express-lane-local\Staging_Typ-02.dgn



SECTION A-A
SCALE: NONE
SEE SHEET NO. 128
STAGE 2



SECTION A-A
SCALE: NONE
SEE SHEET NO. 129
STAGE 2

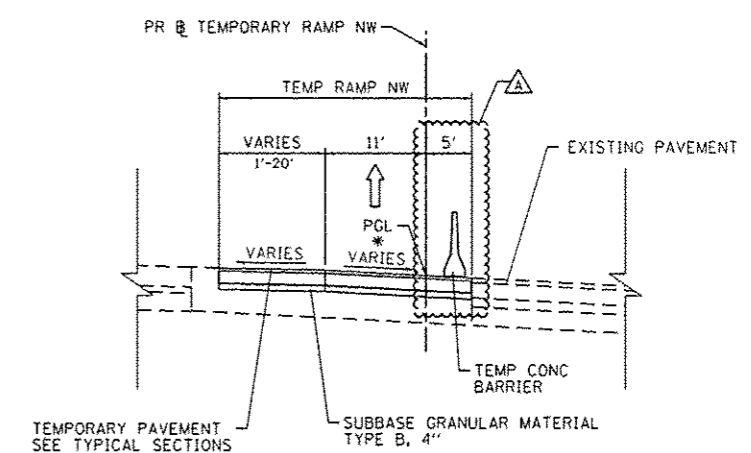


SECTION A-A
SCALE: NONE
SEE SHEET NO. 130
STAGE 2

PROPOSED TEMP PAVEMENT MARKINGS AND TRAFFIC CONTROL DEVICES

- (A) TEMP EPOXY PVT MK LINE 4 (SOLID WHITE)
- (B) TEMP EPOXY PVT MK LINE 4 (SOLID YELLOW)
- (C) TEMP EPOXY PVT MK LINE 4 (2' DASH 6' SKIP, WHITE)
- (D) TEMP EPOXY PVT MK LINE 5 (10' DASH 30' SKIP, WHITE)
- (E) TEMP EPOXY PVT MK LINE 8 (SOLID WHITE)
- (F) TEMP EPOXY PVT MK LINE 12 (WHITE CHEVRONS @ 45°, 30' SPACING) (TYP)
- (G) TEMP CONC BARRIER @ 12:1 ON TAPERS UNLESS OTHERWISE NOTED
- (H) IMP ATTN TEMP FRN TL3
- (I) TYPE II BARRICADE OR DRUMS WITH STEADY BURN MONODIRECTIONAL LIGHT @ 50' C-C (TYP) ON TAPERS AND RAMPS @ 100' C-C (TYP) ON TANGENTS
- (J) DIRECTIONAL INDICATOR BARRICADE WITH STEADY BURN MONODIRECTIONAL LIGHT @ 50' C-C
- (K) REL TEMP CONC BARRIER @ 12:1 ON TAPERS UNLESS OTHERWISE NOTED
- (L) IMP ATTN REL FRN TL3
- (M) TEMP EPOXY PVT MK LINE 8 (3' DASH, 9' SKIP)

DETAIL A: TEMPORARY PAVEMENT SECTION



* SEE SUPERELEVATION TRANSITION DETAILS FOR PAVEMENT CROSS SLOPES



D:\160428-shr-Staging_Typ-02.dgn	DESIGNED - PHP	REVISED - 05/27/2014
USER NAME = patslp2	DRAWN - NSA	REVISED -
PLOT SCALE = 10.0000' / 1" =	CHECKED - KCF	REVISED -
PLOT DATE = 5/24/2014	DATE - 04/28/14	REVISED -

**STATE OF ILLINOIS
DEPARTMENT OF TRANSPORTATION**

SUGGESTED STAGES OF CONSTRUCTION AND TRAFFIC CONTROL PLAN MAINLINE STAGING 2 TYPICAL SECTIONS			
SCALE: NONE	SHEET 2	OF 5 SHEETS	STA. TO STA.

F.A.I. RTE.	SECTION	COUNTY	TOTAL SHEETS	SHEET NO.
90/94/290	2013-010R	COOK	747	100
CONTRACT NO. 60W28				
ILLINOIS FED. AID PROJECT				