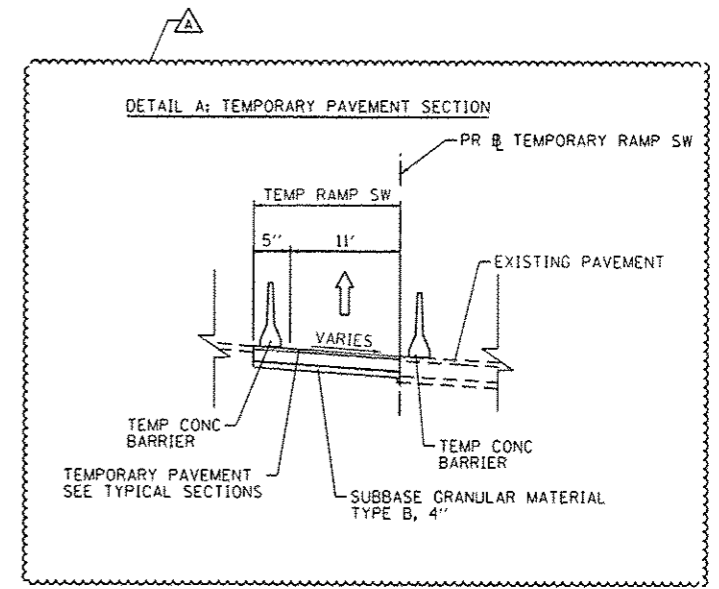
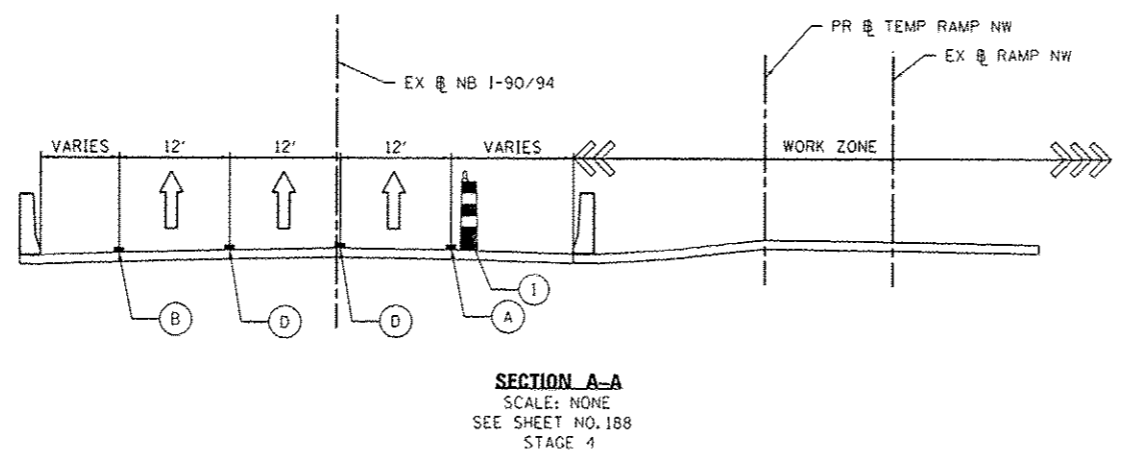
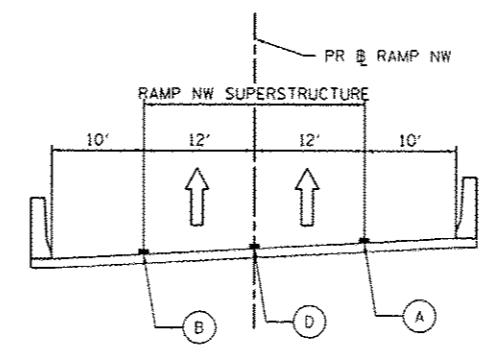
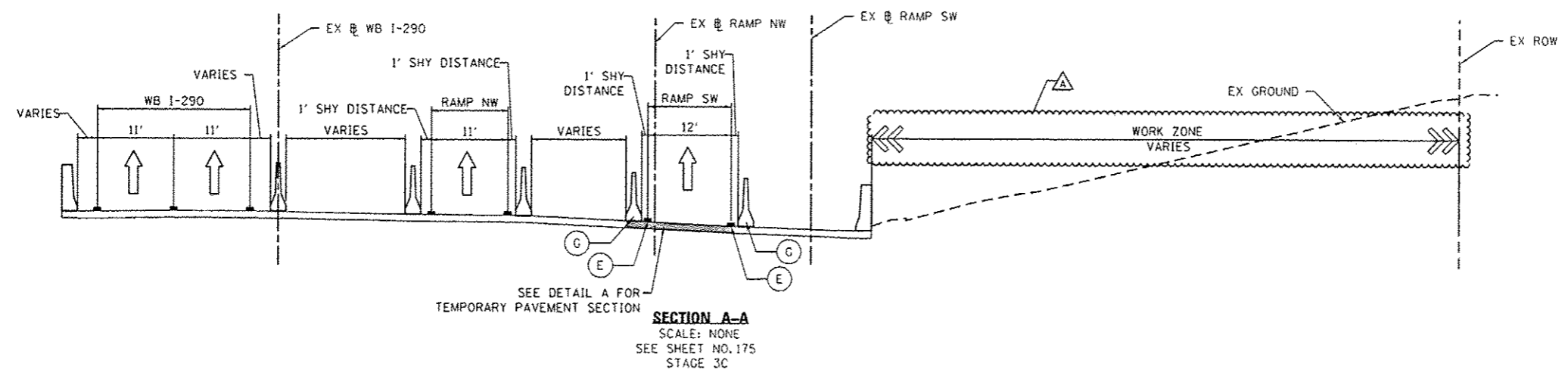


PROPOSED TEMP PAVEMENT MARKINGS AND TRAFFIC CONTROL DEVICES

- (A) TEMP EPOXY PVT MK LINE 4 (SOLID WHITE)
- (B) TEMP EPOXY PVT MK LINE 4 (SOLID YELLOW)
- (C) TEMP EPOXY PVT MK LINE 4 (2' DASH 6' SKIP, WHITE)
- (D) TEMP EPOXY PVT MK LINE 5 (10' DASH 30' SKIP, WHITE)
- (E) TEMP EPOXY PVT MK LINE 8 (SOLID WHITE)
- (F) TEMP EPOXY PVT MK LINE 12 (WHITE CHEVRONS @ 45°, 30' SPACING) (TYP)
- (G) TEMP CONC BARRIER @ 12:1 ON TAPERS UNLESS OTHERWISE NOTED
- (H) IMP ATTN TEMP FRN TL3
- (I) TYPE II BARRICADE OR DRUMS WITH STEADY BURN MONODIRECTIONAL LIGHT @ 50' C-C (TYP) ON TAPERS AND RAMPS @ 100' C-C (TYP) ON TANGENTS
- (J) DIRECTIONAL INDICATOR BARRICADE WITH STEADY BURN MONODIRECTIONAL LIGHT @ 50' C-C
- (K) REL TEMP CONC BARRIER @ 12:1 ON TAPERS UNLESS OTHERWISE NOTED
- (L) IMP ATTN REL FRN TL3
- (M) TEMP EPOXY PVT MK LINE 8 (3' DASH, 9' SKIP)



FILE PATH: p:\1\382828-01\Infileconline\Local\PAE\CD\20\Documents\Illinois\Transportation\60269938_Circle\Phase 1\1020_00\805_Roadway\Sheets\60269938_Contract\1152428-sh-3-Staging_Tier04.dgn



D:\60269938-sh-3-Staging-Tier04.dgn
 USER NAME = potelp2
 PLOT SCALE = 10.0000' / 1" / 10'
 PLOT DATE = 5/24/2014

DESIGNED - PHP	REVISED - A 05/27/2014
DRAWN - NSA	REVISED -
CHECKED - KCF	REVISED -
DATE - 04/28/14	REVISED -

STATE OF ILLINOIS
 DEPARTMENT OF TRANSPORTATION

SUGGESTED STAGES OF CONSTRUCTION AND TRAFFIC CONTROL PLAN
 MAINLINE STAGING 3C & 4 TYPICAL SECTIONS
 SCALE: NONE SHEET 4 OF 5 SHEETS STA. TO STA.

F.A.I. RTE.	SECTION	COUNTY	TOTAL SHEETS	SHEET NO.
90/94/290	2013-010R	COOK	747	102
CONTRACT NO. 60W28				
ILLINOIS FIBER AND PROJECT				