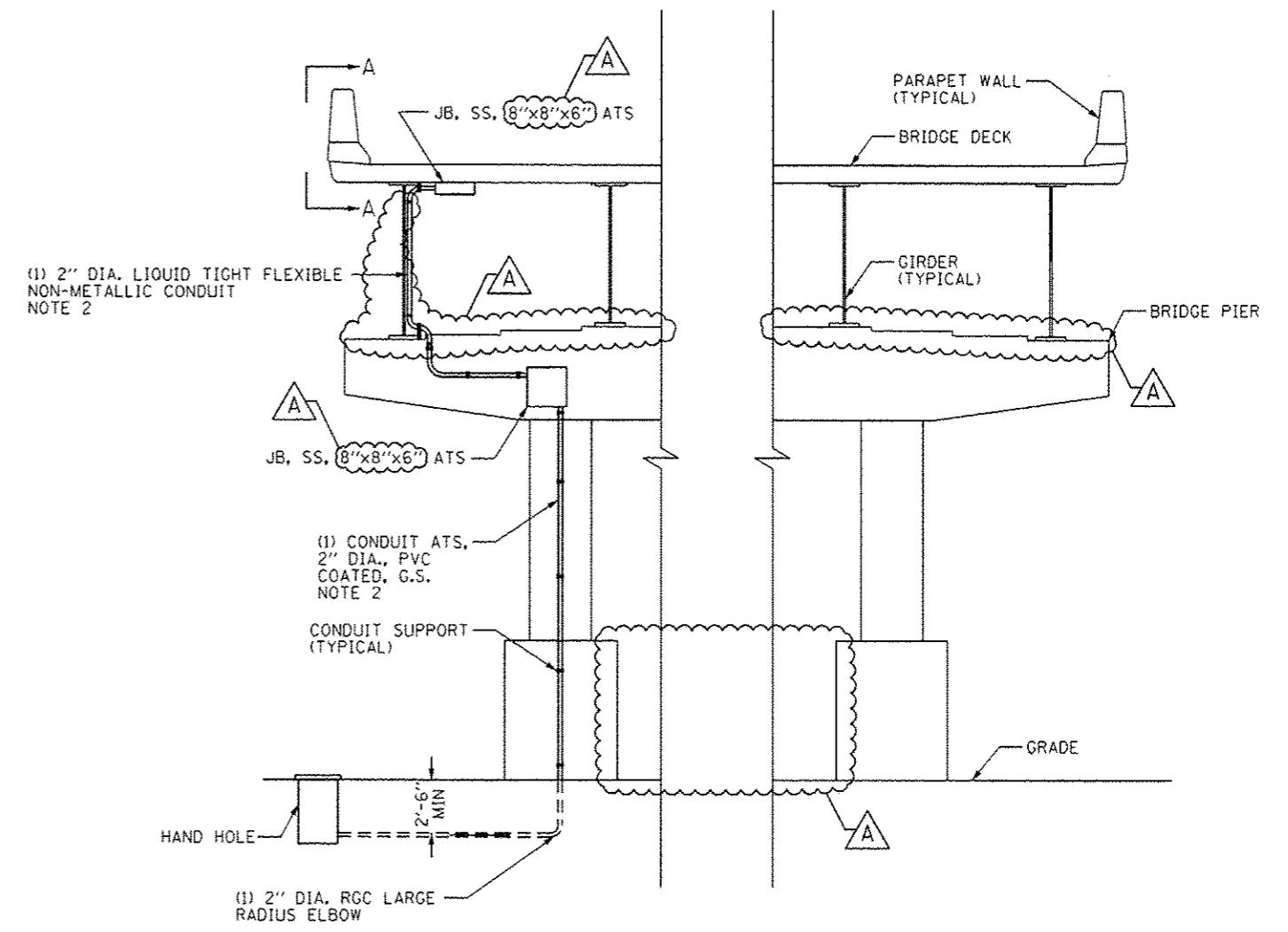
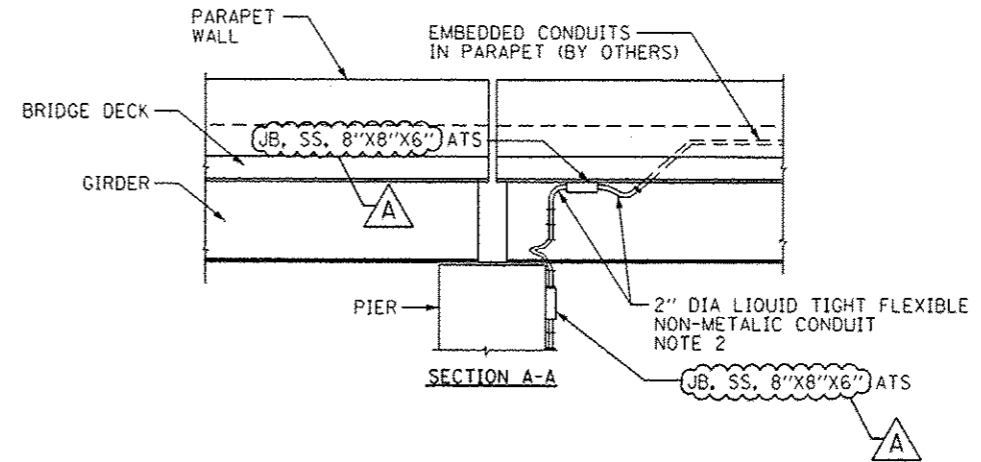


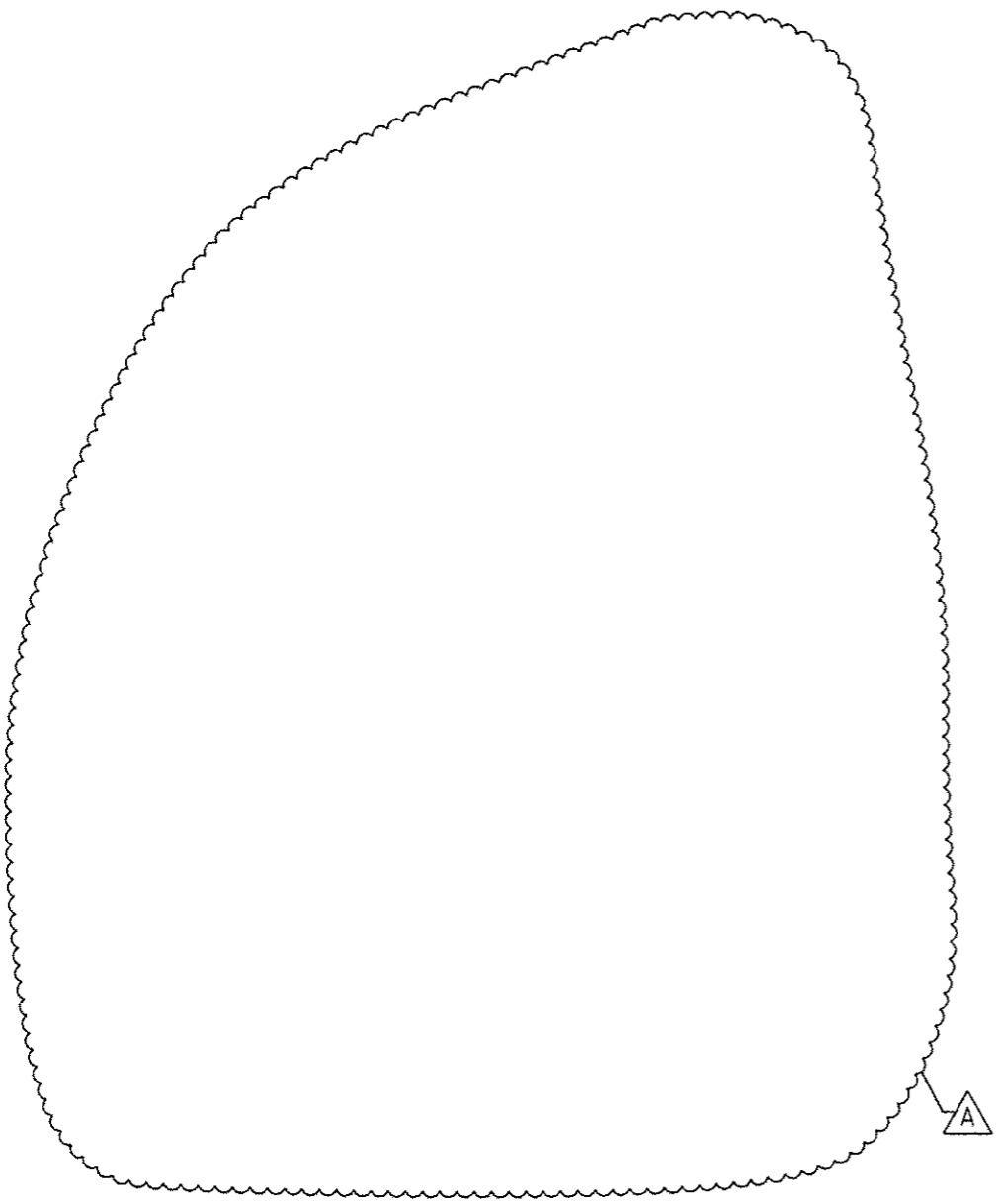
NOTES:

1. THE FLEXIBLE CONDUIT WILL BE MEASURED AND PAID FOR UNDER THE "CONDUIT ATTACHED TO STRUCTURE, 2" DIA., PVC COATED, GALVANIZED STEEL" PAY ITEMS.
2. AT ALL LOCATIONS WHERE 17'-3" MINIMUM CLEARANCE UNDER PIER CAP CAN BE PROVIDED, CONDUIT ATTACHED TO THE STRUCTURE SHALL BE PLACED IN THE REVEAL OF THE PIER AND SHALL NOT CONFLICT WITH DRAINAGE INFRASTRUCTURE.



CONDUIT ATTACHED TO PIER INSTALLATION DETAIL

FILE PATH: \\p11\288835\p11\288835\local\PROJECTS\Documents\B1 America\Transportation\66254433 - Circle\Drawings\Sheet\66254433-1115-09



D168W20-sh1-115-09	DESIGNED - GWS	REVISED - A 5/27/2014
USER NAME - mjprsc	DRAWN - CAM	REVISED -
PLOT SCALE - 617.1428' / in.	CHECKED - JDG	REVISED -
PLOT DATE - 5/21/2014	DATE - 04/28/14	REVISED -

**STATE OF ILLINOIS
DEPARTMENT OF TRANSPORTATION**

ITS CONDUIT ATTACHED TO PIER DETAIL
SCALE: NO SCALE SHEET 9 OF 9 SHEETS STA. TO STA.

F.A.I. RTE. 90/94/290	SECTION 2013-010R	COUNTY COOK	TOTAL SHEETS 747	SHEET NO. 316
CONTRACT NO. 60W28				
ILLINOIS FED. AID PROJECT				