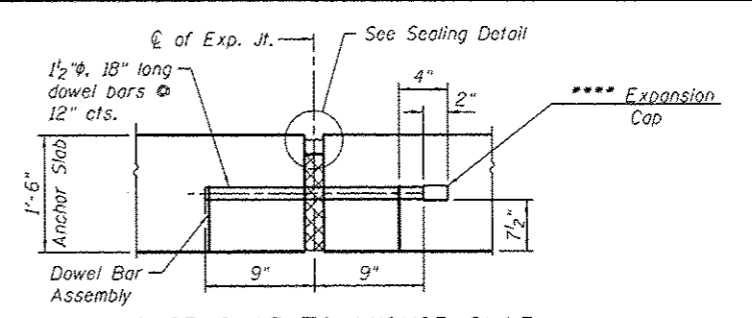
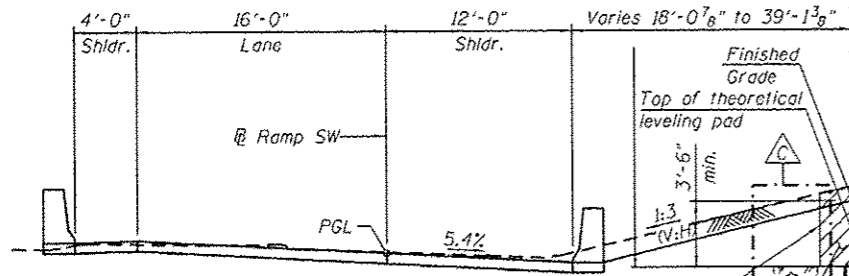


TRANSVERSE CONTRACTION JOINT

See Article 420.05 & 420.12 of the Standard Specifications



ANCHOR SLAB TO ANCHOR SLAB TRANSVERSE EXPANSION JOINT

Expansion Joint Filler, Sealer and Dowel Bars included in cost of Concrete Superstructure.

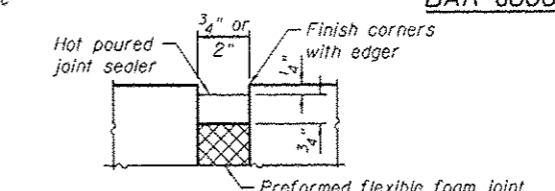
Expansion caps shall be installed on the exposed end of each dowel bar once header has been removed and the joint filler material has been installed.

BAR #600(E)

A & B DIMENSIONS

Bar	A	B
d600(E)	3'-11"	1'-5"
d601(E)	6'-11"	1'-0"
d602(E)	7'-2"	1'-0"
d603(E)	7'-8"	1'-0"
d604(E)	7'-11"	1'-0"

BAR #600(E), #601(E), #602(E), #603(E) and #604(E)



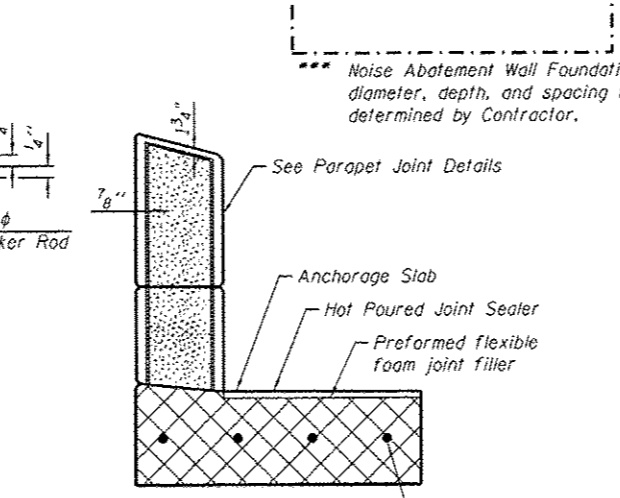
SEALER DETAIL

BILL OF MATERIAL

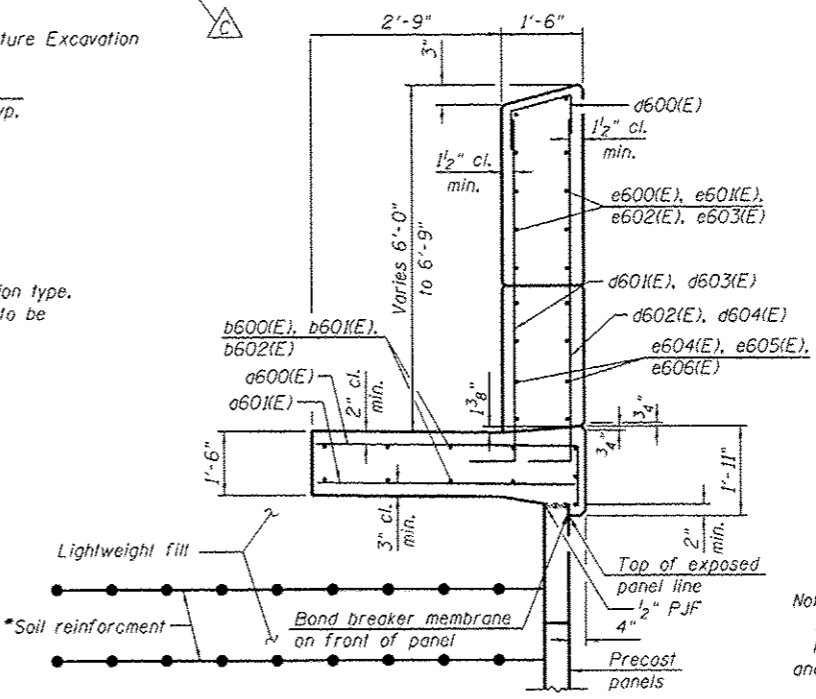
Bar	No.	Size	Length	Shape
d600(E)	248	#5	5'-4"	
d601(E)	248	#5	3'-11"	
b600(E)	11	#5	29'-3"	
b601(E)	44	#5	30'-7"	
b602(E)	44	#5	28'-7"	
d600(E)	263	#4	3'-0"	
d601(E)	231	#6	7'-11"	
d602(E)	231	#6	8'-2"	
d603(E)	32	#6	9'-8"	
d604(E)	32	#6	8'-11"	
e600(E)	8	#5	14'-1"	
e601(E)	100	#5	14'-9"	
e602(E)	16	#5	18'-4"	
e603(E)	8	#5	14'-6"	
e604(E)	8	#5	29'-1"	
e605(E)	32	#5	30'-7"	
e606(E)	32	#5	27'-7"	
Concrete Superstructure		Cu. Yd.		151.1
Protective Coat		Sq. Yd.		152
Reinforcement Bars, Epoxy Coated		Pound		16,720

TYPICAL SECTION

(Looking upstation)



TRANSVERSE EXPANSION JOINT SECTION

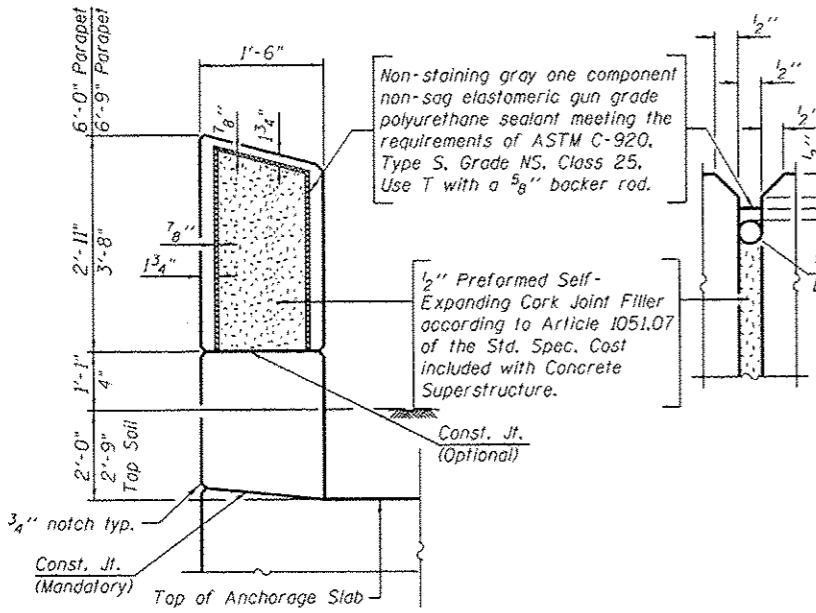


SECTION A-A

* The M.S.E. wall supplier's internal stability design shall account for the anchorage slab's bearing pressure surcharge of 0.6 ksf and horizontal sliding force of 0.4 kips/ft. of wall.

Notes:
 All edges shall be chamfered 3/4 inches.
 Protective coat shall be applied to the parapet top and interior vertical surface above ground line.
 Bars indicated thus 3x4-#5 etc. indicates 3 lines of bars with 4 lengths per line.
 See Sheet RW40-06 of RW40-12 for additional notes for MSE wall suppliers.
 Aggregate columns shall be placed to avoid existing utilities, proposed utilities and proposed Noise Abatement Wall Foundations.

PARAPET CONTRACTION JOINT DETAILS



2:34:50 PM - c:\pwworking\arcadoc\d\khastings\020264557\06B09-60W28-504-3barrier.dgn



USER NAME - khastings	DESIGNED - RAH	REVISED - 06/24/2014 WJC
CHECKED - KAH	REVISED -	
DRAWN - KAH	REVISED -	
CHECKED - JK/DL	REVISED -	

**STATE OF ILLINOIS
DEPARTMENT OF TRANSPORTATION**

**MSE CROSS SECTION AND DETAILS
STRUCTURE NO. 016-1809**

F.A.I. RTE. 90/94	SECTION 2013-010R	COUNTY COOK	TOTAL SHEETS 747	SHEET NO. 571
SHEET NO. RW40-04 OF RW40-12 SHEETS			CONTRACT NO. 60W28	