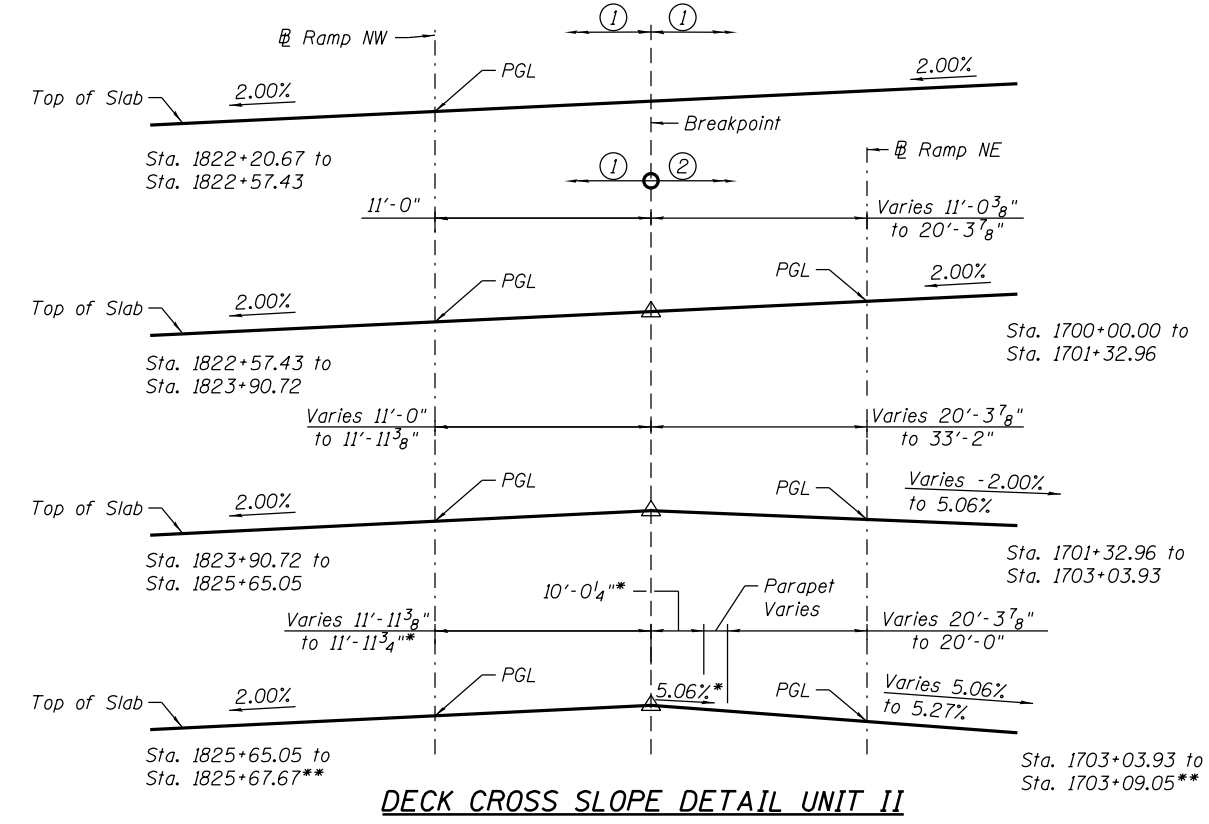
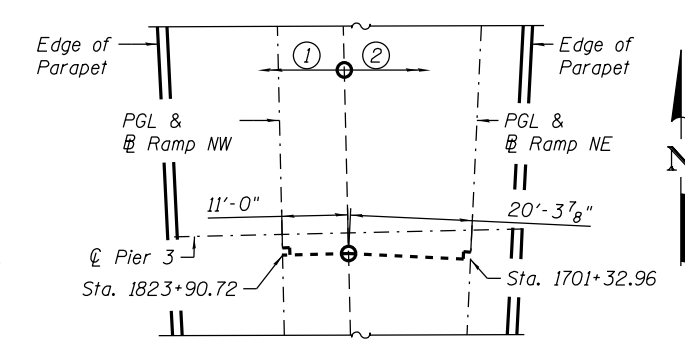


DECK PLAN II - UNIT II

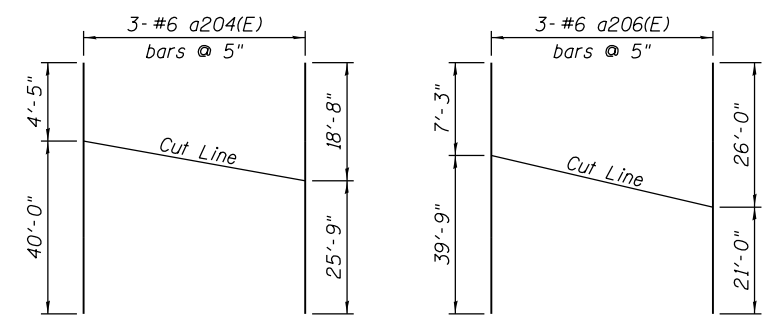


DECK CROSS SLOPE DETAIL UNIT II



KEY PLAN

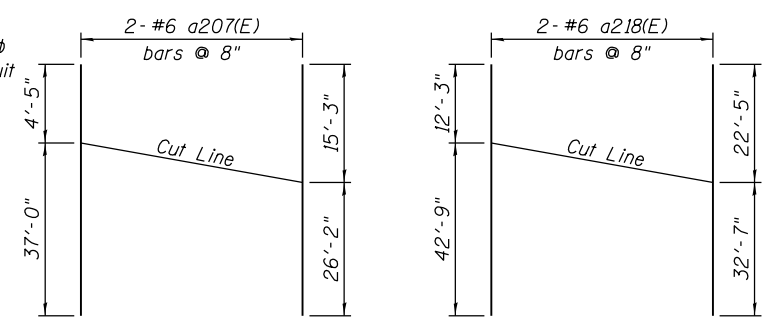
* Measured perpendicular to PGL Ramp NW
 ** Station measured at intersection of P Pier 4 & PGL
 ① Stations, offsets and x-slopes measured with respect to P Ramp NW
 ② Stations, offsets and x-slopes measured with respect to P Ramp NE



FIELD CUTTING DIAGRAM

FIELD CUTTING DIAGRAM

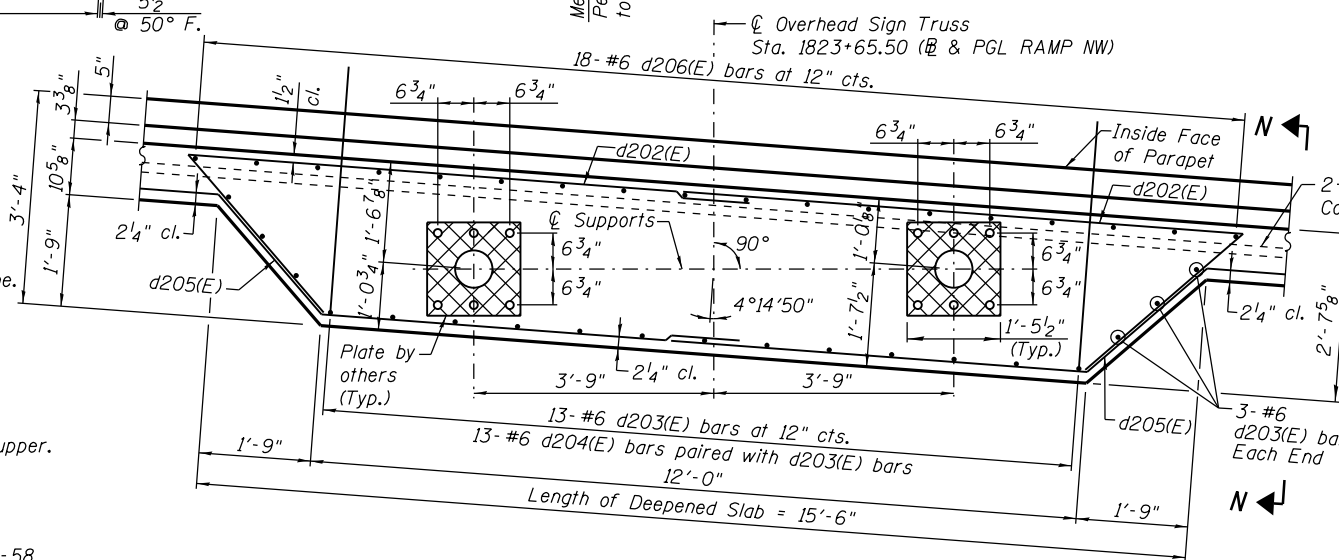
Order a204(E) bars full length. Cut as shown and use remainder of bars at opposite end.
 Order a206(E) bars full length. Cut as shown and use remainder of bars at opposite end.



FIELD CUTTING DIAGRAM

FIELD CUTTING DIAGRAM

Order a207(E) bars full length. Cut as shown and use remainder of bars at opposite end.
 Order a218(E) bars full length. Cut as shown and use remainder of bars at opposite end.



PARAPET PLAN FOR OVERHEAD SIGN TRUSS - RIGHT PARAPET

- NOTES:**
1. Stations are along P & PGL Ramp NW unless noted otherwise.
 2. Dimensions radial from P & PGL Ramp NW unless noted otherwise.
 3. Minimum lap for #5 bars shall be 3'-3" and for #6 bars shall be 3'-10".
 4. Bars indicated thus: 34x3-#6 etc. indicates 34 lines of bars with 3 lengths per line.
 5. Bend longitudinal reinforcement bars as required to fit in the field.
 6. See Sheet No. S-46 for parapet reinforcement.
 7. See Sheet No. S-53 for Section L-L.
 8. See Sheet No. S-53 for Bill of Material.
 9. See Sheet No. S-53 for Section C-C and M-M.
 10. See Sheet No. S-58, Detail I, Section N-N, and Sheet S-72 for DS-11 Drainage Scupper.
 11. See Sheet No. S-59 for Deck Pouring Sequence.
 12. Δ Dimensions along inside face of parapet.
 13. ΔΔ Dimensions along inside face of right parapet.
 14. For additional parapet details at overhead sign truss see Sheets S-34, S-36 and S-58.



USER NAME = floresg	DESIGNED - JRE	REVISED
PLOT SCALE = N.T.S.	CHECKED - JPH	REVISED
PLOT DATE = 5/7/2014	DRAWN - TNP	REVISED
	CHECKED - EJO	REVISED

STATE OF ILLINOIS
 DEPARTMENT OF TRANSPORTATION

DECK PLAN II - UNIT II
 STRUCTURE NO. 016-1705
 SHEET NO. S-35 OF S-165 SHEETS

F.A.I. RTE. 90/94/290	SECTION 2013-010R	COUNTY COOK	TOTAL SHEETS 747	SHEET NO. 351
CONTRACT NO. 60W28			ILLINOIS FED. AID PROJECT	