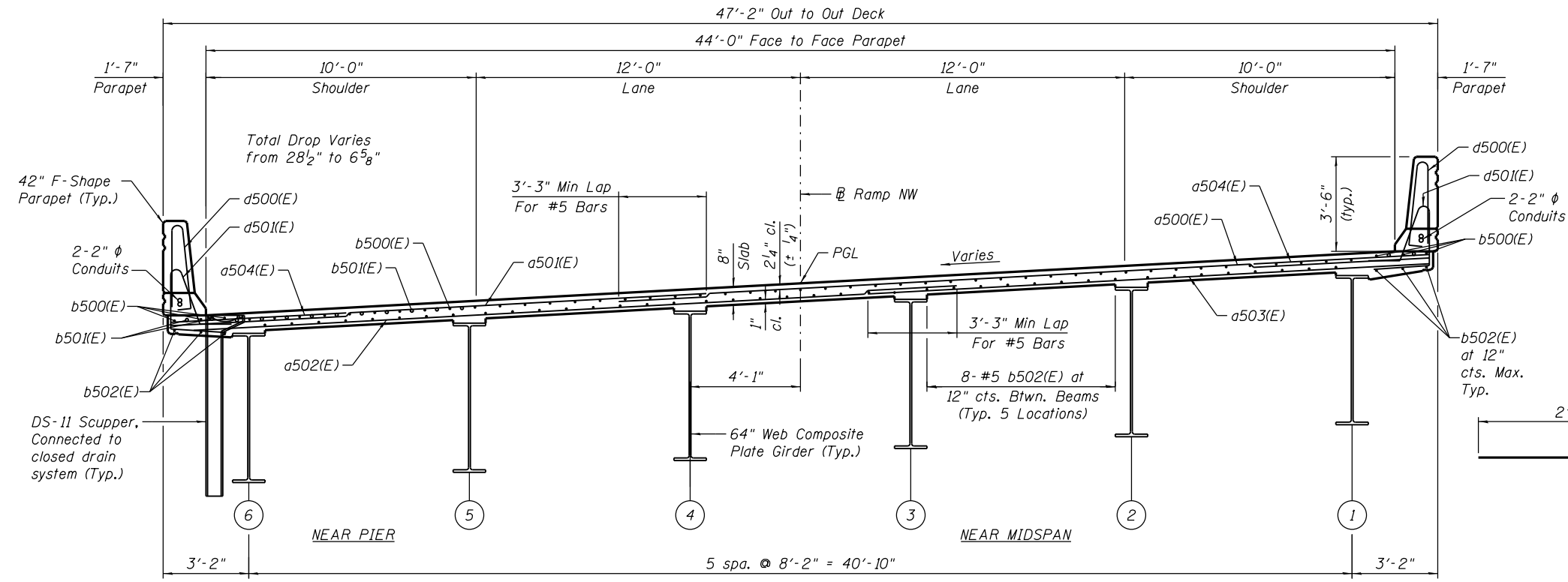
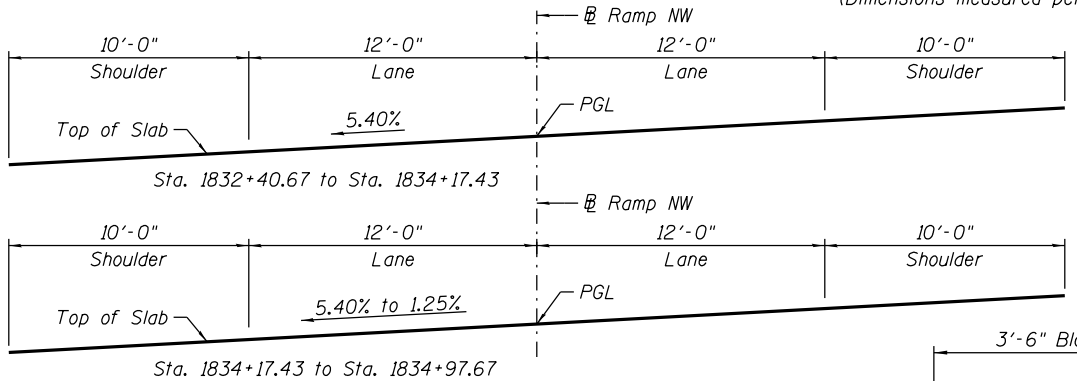


**SUPERSTRUCTURE
BILL OF MATERIAL**

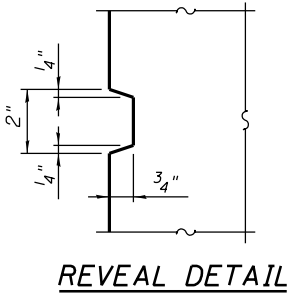
Bar	No.	Size	Length	Shape
a500(E)	584	#5	30'-0"	—
a501(E)	584	#5	19'-10"	—
a502(E)	399	#5	30'-0"	—
a503(E)	399	#5	19'-10"	—
a504(E)	1168	#6	6'-6"	—
a505(E)	60	#6	7'-10"	—
a506(E)	24	#6	2'-8"	—
a507(E)	16	#5	1'-6"	—
b500(E)	510	#5	29'-5"	—
b501(E)	192	#6	27'-0"	—
b502(E)	506	#5	27'-1"	—
d500(E)	562	#5	6'-10"	—
d501(E)	562	#5	7'-4"	—
e500(E)	32	#4	19'-8"	—
e501(E)	7	#4	16'-7"	—
e502(E)	77	#4	15'-9"	—
e503(E)	7	#4	13'-10"	—
e504(E)	7	#4	17'-11"	—
e505(E)	91	#4	14'-6"	—
e506(E)	7	#4	13'-9"	—
e507(E)	4	#4	25'-10"	—
e508(E)	4	#4	29'-2"	—
e509(E)	4	#4	28'-4"	—
e510(E)	5	#4	25'-2"	—
e511(E)	4	#8	19'-8"	—
e512(E)	3	#8	35'-10"	—
e513(E)	4	#8	31'-6"	—
e514(E)	4	#8	30'-8"	—
e515(E)	4	#8	33'-4"	—
x500(E)	92	#5	8'-2 1/2"	—
Reinforcement Bars, Epoxy Coated			Pound	114,370
Concrete Superstructure			Cu. Yd.	399
Bridge Deck Grooving (Special)			Sq. Yd.	1169
Protective Coat			Sq. Yd.	1515



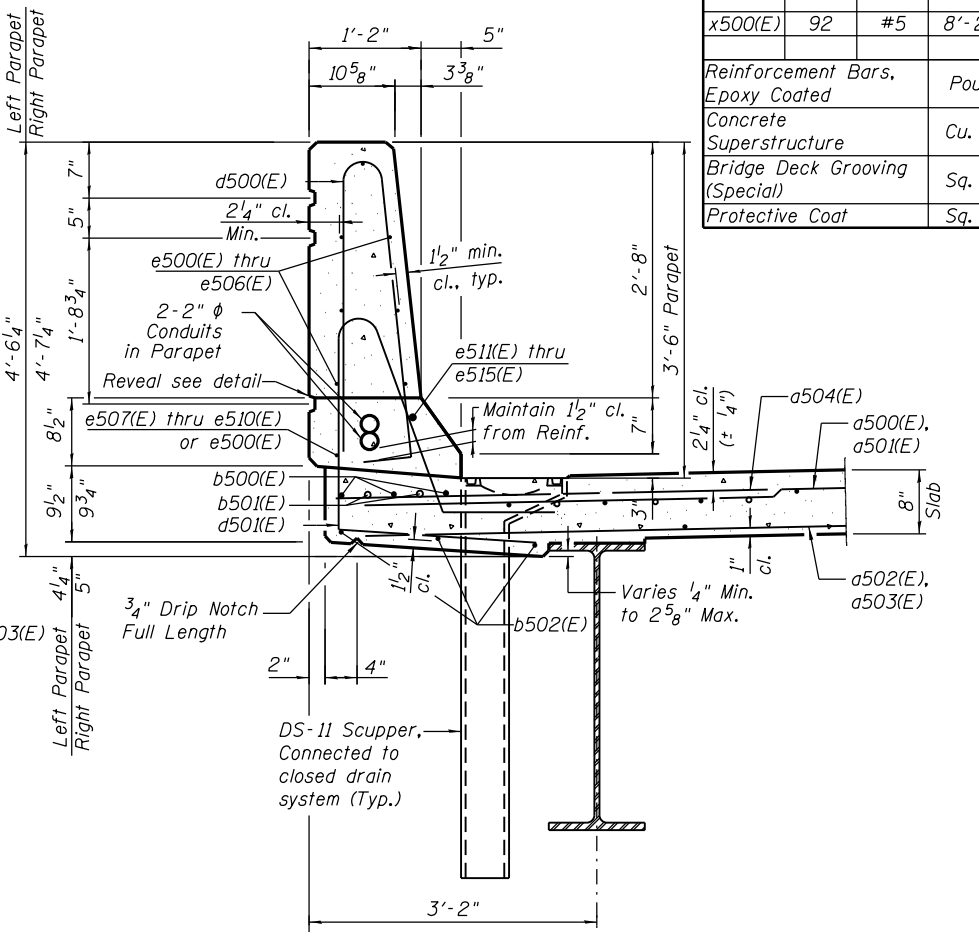
DECK CROSS SECTION - UNIT V
(Looking Upstation)
(Dimensions measured perpendicular to baseline)



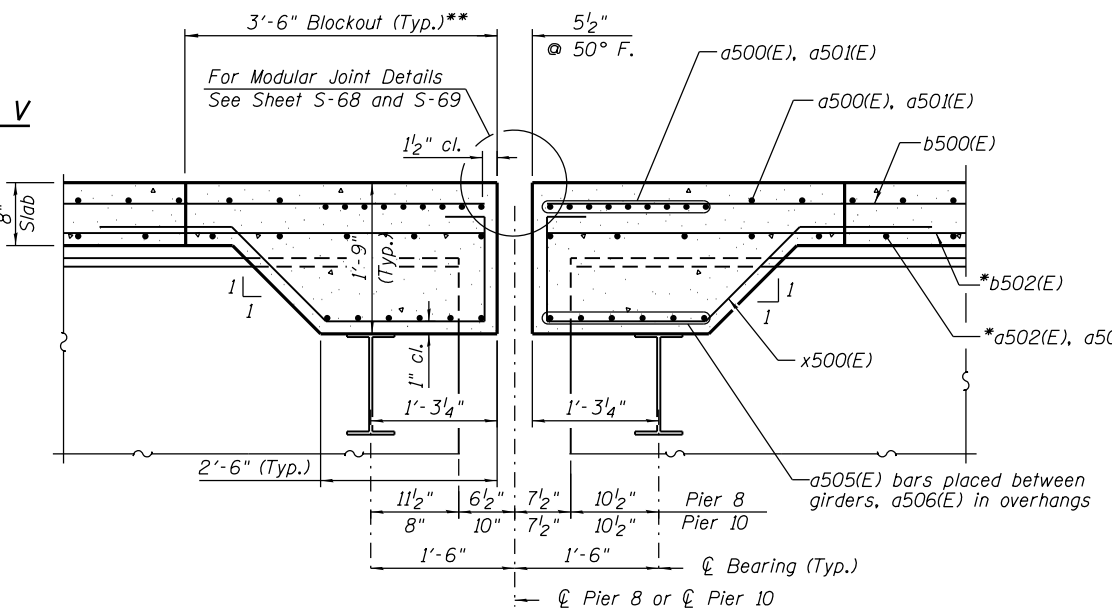
DECK CROSS SLOPE DETAIL UNIT V



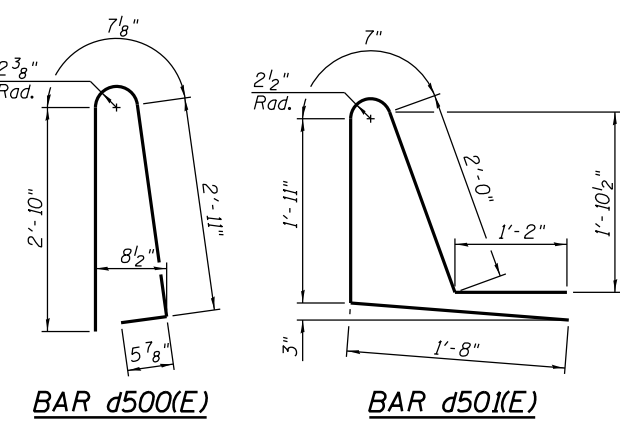
REVEAL DETAIL



SECTION THRU PARAPET



SECTION F-F
(Horiz. Dims. @ RT L's to C Brg.)



BAR d500(E)

BAR d501(E)

**Blockout dimensions to be verified by Contractor with Joint Manufacturer

*Bars to be adjusted in field to miss support boxes and beam webs



USER NAME = floresg	DESIGNED - JRE	REVISED
PLOT SCALE = N.T.S.	CHECKED - JPH	REVISED
PLOT DATE = 5/7/2014	DRAWN - TNP	REVISED
	CHECKED - EJO	REVISED

**STATE OF ILLINOIS
DEPARTMENT OF TRANSPORTATION**

**DECK CROSS SECTION - UNIT V
STRUCTURE NO. 016-1705**

F.A.I. RTE. 90/94/290	SECTION 2013-010R	COUNTY COOK	TOTAL SHEETS 747	SHEET NO. 372
CONTRACT NO. 60W28			ILLINOIS FED. AID PROJECT	

SHEET NO. S-56 OF S-165 SHEETS

0161705-60W28-S056-xsect.dgn