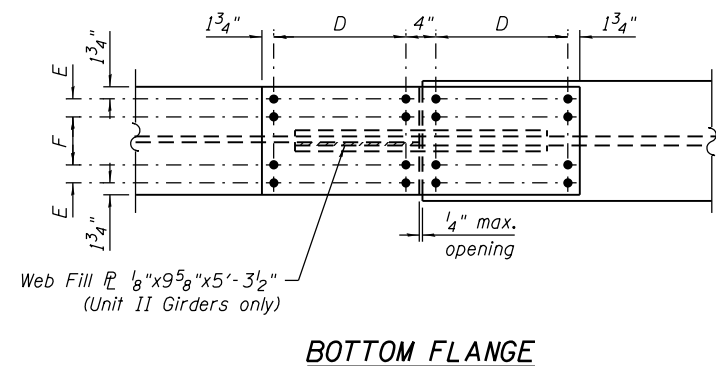
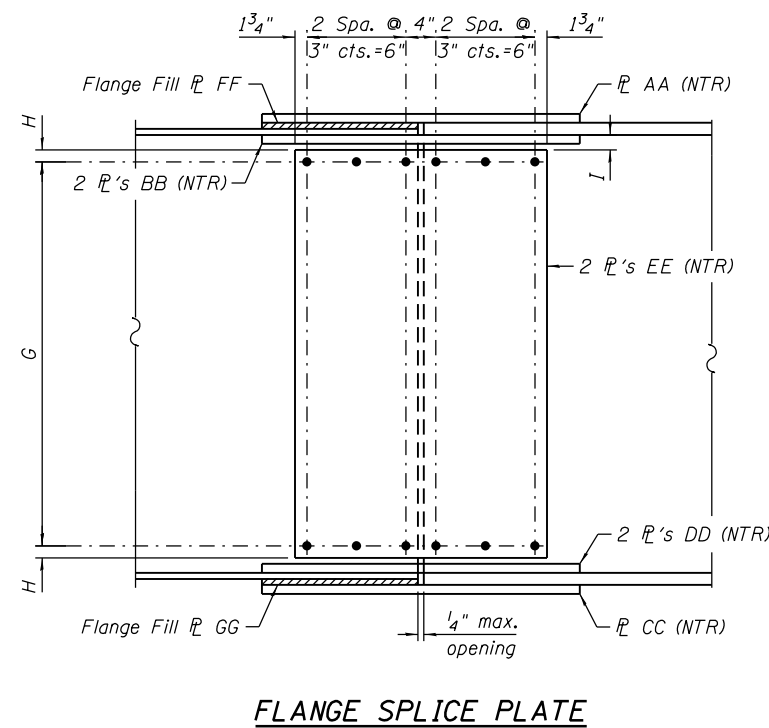
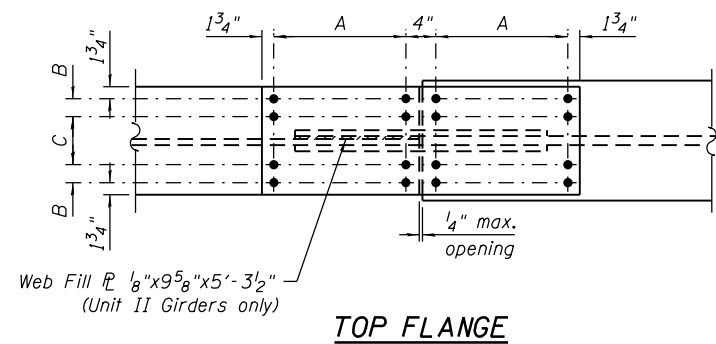


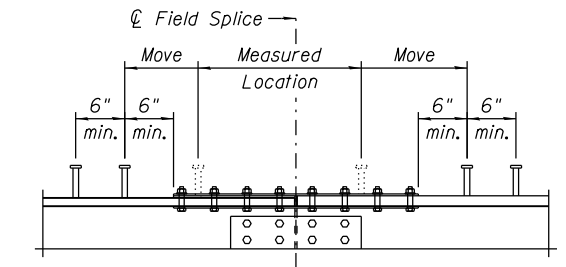
SPLICE BOLT SPACING



UNIT	GIRDER	SPLICE TYPE	A	B	C	D	E	F	G	H	I	
I	1, 2, 3, 4, 5, 6	1-1	8 Spa. @ 3"=2'-0"	4 1/2"	5 1/2"	8 Spa. @ 3"=2'-0"	4 1/2"	5 1/2"	21 Spa. @ 3"=5'-3"	1 3/4"	1 3/4"	
		1-2	8 Spa. @ 3"=2'-0"	4 1/2"	5 1/2"	8 Spa. @ 3"=2'-0"	4 1/2"	5 1/2"	21 Spa. @ 3"=5'-3"	1 3/4"	1 3/4"	
II	IB	2-1	9 Spa. @ 3"=2'-3"	4 1/2"	5 1/2"	10 Spa. @ 3"=2'-6"	4 1/2"	5 1/2"	20 Spa. @ 3"=5'-0"	1 3/4"	3 1/4"	
		2-2	8 Spa. @ 3"=2'-0"	4 1/2"	5 1/2"	11 Spa. @ 3"=2'-9"	4 1/2"	5 1/2"	20 Spa. @ 3"=5'-0"	1 3/4"	3 1/4"	
	3B, 8B	2-2	8 Spa. @ 3"=2'-0"	4 1/2"	5 1/2"	9 Spa. @ 3"=2'-3"	4 1/2"	5 1/2"	20 Spa. @ 3"=5'-0"	1 3/4"	3 1/4"	
		2-1	8 Spa. @ 3"=2'-0"	4 1/2"	5 1/2"	9 Spa. @ 3"=2'-3"	4 1/2"	5 1/2"	20 Spa. @ 3"=5'-0"	1 3/4"	3 1/4"	
	4B, 5B, 6B, 7B	2-1	8 Spa. @ 3"=2'-0"	4 1/2"	5 1/2"	9 Spa. @ 3"=2'-3"	4 1/2"	5 1/2"	20 Spa. @ 3"=5'-0"	1 3/4"	3 1/4"	
		2-2	8 Spa. @ 3"=2'-0"	4 1/2"	5 1/2"	9 Spa. @ 3"=2'-3"	4 1/2"	5 1/2"	20 Spa. @ 3"=5'-0"	1 3/4"	3 1/4"	
9B	2-1	9 Spa. @ 3"=2'-3"	4 1/2"	5 1/2"	10 Spa. @ 3"=2'-6"	4 1/2"	5 1/2"	20 Spa. @ 3"=5'-0"	1 3/4"	3 1/4"		
	2-2	8 Spa. @ 3"=2'-0"	4 1/2"	5 1/2"	9 Spa. @ 3"=2'-3"	4 1/2"	5 1/2"	20 Spa. @ 3"=5'-0"	1 3/4"	3 1/4"		
III	1, 2, 3	3-1	6 Spa. @ 3"=1'-6"	4 1/2"	5 1/2"	10 Spa. @ 3"=2'-6"	6 1/2"	5 1/2"	21 Spa. @ 3"=5'-3"	1 3/4"	1 3/4"	
		3-2	6 Spa. @ 3"=1'-6"	4 1/2"	5 1/2"	8 Spa. @ 3"=2'-0"	4 1/2"	5 1/2"	21 Spa. @ 3"=5'-3"	1 3/4"	1 3/4"	
	4, 5, 6	3-1	6 Spa. @ 3"=1'-6"	4 1/2"	5 1/2"	6 Spa. @ 3"=1'-6"	4 1/2"	5 1/2"	21 Spa. @ 3"=5'-3"	1 3/4"	1 3/4"	
		3-2	6 Spa. @ 3"=1'-6"	4 1/2"	5 1/2"	6 Spa. @ 3"=1'-6"	4 1/2"	5 1/2"	21 Spa. @ 3"=5'-3"	1 3/4"	1 3/4"	
	IV	1, 2, 3	4-1	10 Spa. @ 3"=2'-6"	5 1/2"	5 1/2"	10 Spa. @ 3"=2'-6"	5 1/2"	5 1/2"	27 Spa. @ 3"=6'-9"	1 3/4"	2 3/4"
			4-2	10 Spa. @ 3"=2'-6"	5 1/2"	5 1/2"	10 Spa. @ 3"=2'-6"	5 1/2"	5 1/2"	27 Spa. @ 3"=6'-9"	1 3/4"	2 3/4"
4, 5, 6	4-1	7 Spa. @ 3"=1'-9"	4 1/2"	5 1/2"	7 Spa. @ 3"=1'-9"	4 1/2"	5 1/2"	27 Spa. @ 3"=6'-9"	1 3/4"	2 3/4"		
	4-2	7 Spa. @ 3"=1'-9"	4 1/2"	5 1/2"	7 Spa. @ 3"=1'-9"	4 1/2"	5 1/2"	27 Spa. @ 3"=6'-9"	1 3/4"	2 3/4"		
V	1, 2, 3	5-1	6 Spa. @ 3"=1'-6"	4 1/2"	5 1/2"	8 Spa. @ 3"=2'-0"	4 1/2"	5 1/2"	18 Spa. @ 3"=4'-6"	1 3/4"	3 1/4"	
		5-2	6 Spa. @ 3"=1'-6"	4 1/2"	5 1/2"	8 Spa. @ 3"=2'-0"	6 1/2"	5 1/2"	18 Spa. @ 3"=4'-6"	1 3/4"	3 1/4"	
	4, 5, 6	5-1	6 Spa. @ 3"=1'-6"	4 1/2"	5 1/2"	6 Spa. @ 3"=1'-6"	4 1/2"	5 1/2"	18 Spa. @ 3"=4'-6"	1 3/4"	3 1/4"	
		5-2	6 Spa. @ 3"=1'-6"	4 1/2"	5 1/2"	6 Spa. @ 3"=1'-6"	4 1/2"	5 1/2"	18 Spa. @ 3"=4'-6"	1 3/4"	3 1/4"	
	VI	1, 2, 3, 4, 5, 6	6-1	4 Spa. @ 3"=1'-0"	3 1/2"	5 1/2"	4 Spa. @ 3"=1'-0"	3 1/2"	5 1/2"	14 Spa. @ 3"=3'-6"	1 1/2"	1 1/2"
			6-2	4 Spa. @ 3"=1'-0"	3 1/2"	5 1/2"	4 Spa. @ 3"=1'-0"	3 1/2"	5 1/2"	14 Spa. @ 3"=3'-6"	1 1/2"	1 1/2"
6-3			4 Spa. @ 3"=1'-0"	3 1/2"	5 1/2"	4 Spa. @ 3"=1'-0"	3 1/2"	5 1/2"	14 Spa. @ 3"=3'-6"	1 1/2"	1 1/2"	
6-4			4 Spa. @ 3"=1'-0"	3 1/2"	5 1/2"	4 Spa. @ 3"=1'-0"	3 1/2"	5 1/2"	14 Spa. @ 3"=3'-6"	1 1/2"	1 1/2"	

NOTES:

- See Sheets S-73 thru S-98 for girder framing plan.
- All structural steel shall be AASHTO M270 Grade 50.
- Load carrying components designated "NTR" shall conform to the Impact Testing Requirement, Zone 2.



SHEAR CONNECTOR DETAIL AT SPLICE AND FLANGE TRANSITIONS

DO NOT place shear connectors on splice plates.

Move row of studs to 6" beyond nearest edge of splice plate from measured location.

SPLICE PLATE SIZES

UNIT	GIRDER	SPLICE TYPE	AA	BB	CC	DD	EE	FF	GG	
I	1, 2, 3, 4, 5, 6	1-1	3/4"x1'-6"x4'-7 1/2"	3/4"x8"x4'-7 1/2"	3/4"x1'-6"x4'-7 1/2"	3/4"x8"x4'-7 1/2"	3/8"x1'-7 1/2"x5'-6 1/2"	1 1/4"x1'-6"x2'-3 5/8"	1 1/4"x1'-6"x2'-3 5/8"	
		1-2	3/4"x1'-6"x4'-7 1/2"	3/4"x8"x4'-7 1/2"	3/4"x1'-6"x4'-7 1/2"	3/4"x8"x4'-7 1/2"	3/8"x1'-7 1/2"x5'-6 1/2"	1 1/4"x1'-6"x2'-3 5/8"	1 1/4"x1'-6"x2'-3 5/8"	
II	IB	2-1	1"x1'-6"x5'-1 1/2"	1"x8"x5'-1 1/2"	1"x1'-6"x5'-7 1/2"	1"x8"x5'-7 1/2"	1/2"x1'-7 1/2"x5'-3 1/2"	1 1/4"x1'-6"x2'-6 5/8"	3/4"x1'-6"x2'-9 5/8"	
		2-2	1"x1'-6"x4'-7 1/2"	1"x8"x4'-7 1/2"	1"x1'-6"x6'-1 1/2"	1"x8"x6'-1 1/2"	1/2"x1'-7 1/2"x5'-3 1/2"	1 1/4"x1'-6"x2'-3 5/8"	3/4"x1'-6"x3'-0 5/8"	
	3B, 8B	2-2	7/8"x1'-6"x4'-7 1/2"	7/8"x8"x4'-7 1/2"	7/8"x1'-6"x5'-1 1/2"	7/8"x8"x5'-1 1/2"	3/8"x1'-7 1/2"x5'-3 1/2"	1 1/4"x1'-6"x2'-3 5/8"	1"x1'-6"x2'-6 5/8"	
		2-1	7/8"x1'-6"x4'-7 1/2"	7/8"x8"x4'-7 1/2"	7/8"x1'-6"x5'-1 1/2"	7/8"x8"x5'-1 1/2"	3/8"x1'-7 1/2"x5'-3 1/2"	1 1/4"x1'-6"x2'-3 5/8"	1"x1'-6"x2'-6 5/8"	
	4B, 5B, 6B, 7B	2-2	7/8"x1'-6"x4'-7 1/2"	7/8"x8"x4'-7 1/2"	7/8"x1'-6"x5'-1 1/2"	7/8"x8"x5'-1 1/2"	3/8"x1'-7 1/2"x5'-3 1/2"	1 1/4"x1'-6"x2'-3 5/8"	1"x1'-6"x2'-6 5/8"	
		2-1	7/8"x1'-6"x5'-1 1/2"	7/8"x8"x5'-1 1/2"	7/8"x1'-6"x5'-7 1/2"	7/8"x8"x5'-7 1/2"	1/2"x1'-7 1/2"x5'-3 1/2"	1 1/4"x1'-6"x2'-6 5/8"	1"x1'-6"x2'-9 5/8"	
9B	2-2	7/8"x1'-6"x4'-7 1/2"	7/8"x8"x4'-7 1/2"	7/8"x1'-6"x5'-1 1/2"	7/8"x8"x5'-1 1/2"	1/2"x1'-7 1/2"x5'-3 1/2"	1 1/4"x1'-6"x2'-3 5/8"	1"x1'-6"x2'-6 5/8"		
	2-1	7/8"x1'-6"x5'-1 1/2"	7/8"x8"x5'-1 1/2"	7/8"x1'-6"x5'-7 1/2"	7/8"x8"x5'-7 1/2"	1/2"x1'-7 1/2"x5'-3 1/2"	1 1/4"x1'-6"x2'-6 5/8"	1"x1'-6"x2'-9 5/8"		
III	1, 2, 3	3-1	5/8"x1'-6"x3'-7 1/2"	5/8"x8"x3'-7 1/2"	7/8"x1'-10"x5'-7 1/2"	7/8"x10"x5'-7 1/2"	3/8"x1'-7 1/2"x5'-6 1/2"	1"x1'-6"x1'-9 5/8"	1/2"x1'-10"x2'-9 5/8"	
		3-2	5/8"x1'-6"x3'-7 1/2"	5/8"x8"x3'-7 1/2"	7/8"x1'-6"x4'-7 1/2"	7/8"x8"x4'-7 1/2"	3/8"x1'-7 1/2"x5'-6 1/2"	1"x1'-6"x1'-9 5/8"	1/2"x1'-6"x2'-3 5/8"	
	4, 5, 6	3-1	5/8"x1'-6"x3'-7 1/2"	5/8"x8"x3'-7 1/2"	5/8"x1'-6"x3'-7 1/2"	5/8"x8"x3'-7 1/2"	3/8"x1'-7 1/2"x5'-6 1/2"	1"x1'-6"x1'-9 5/8"	1"x1'-6"x1'-9 5/8"	
		3-2	5/8"x1'-6"x3'-7 1/2"	5/8"x8"x3'-7 1/2"	5/8"x1'-6"x3'-7 1/2"	5/8"x8"x3'-7 1/2"	3/8"x1'-7 1/2"x5'-6 1/2"	1"x1'-6"x1'-9 5/8"	1"x1'-6"x1'-9 5/8"	
	IV	1, 2, 3	4-1	7/8"x1'-8"x5'-7 1/2"	7/8"x9"x5'-7 1/2"	7/8"x1'-8"x5'-7 1/2"	7/8"x9"x5'-7 1/2"	3/8"x1'-7 1/2"x7'-0 1/2"	1"x1'-8"x2'-9 5/8"	1"x1'-8"x2'-9 5/8"
			4-2	7/8"x1'-8"x5'-7 1/2"	7/8"x9"x5'-7 1/2"	7/8"x1'-8"x5'-7 1/2"	7/8"x9"x5'-7 1/2"	3/8"x1'-7 1/2"x7'-0 1/2"	1"x1'-8"x2'-9 5/8"	1"x1'-8"x2'-9 5/8"
4, 5, 6	4-1	5/8"x1'-6"x4'-1 1/2"	5/8"x8"x4'-1 1/2"	5/8"x1'-6"x4'-1 1/2"	5/8"x8"x4'-1 1/2"	3/8"x1'-7 1/2"x7'-0 1/2"	1"x1'-6"x2'-0 5/8"	1"x1'-6"x2'-0 5/8"		
	4-2	5/8"x1'-6"x4'-1 1/2"	5/8"x8"x4'-1 1/2"	5/8"x1'-6"x4'-1 1/2"	5/8"x8"x4'-1 1/2"	3/8"x1'-7 1/2"x7'-0 1/2"	1"x1'-6"x2'-0 5/8"	1"x1'-6"x2'-0 5/8"		
V	1, 2, 3	5-1	7/8"x1'-6"x3'-7 1/2"	7/8"x8"x3'-7 1/2"	7/8"x1'-6"x4'-7 1/2"	7/8"x8"x4'-7 1/2"	1/2"x1'-7 1/2"x4'-9 1/2"	1"x1'-6"x1'-9 5/8"	1/2"x1'-6"x2'-3 5/8"	
		5-2	7/8"x1'-6"x3'-7 1/2"	7/8"x8"x3'-7 1/2"	7/8"x1'-10"x4'-7 1/2"	7/8"x10"x4'-7 1/2"	1/2"x1'-7 1/2"x4'-9 1/2"	1"x1'-6"x1'-9 5/8"	1"x1'-10"x2'-3 5/8"	
	4, 5, 6	5-1	5/8"x1'-6"x3'-7 1/2"	5/8"x8"x3'-7 1/2"	5/8"x1'-6"x3'-7 1/2"	5/8"x8"x3'-7 1/2"	1/2"x1'-7 1/2"x4'-9 1/2"	1"x1'-6"x1'-9 5/8"	1"x1'-6"x1'-9 5/8"	
		5-2	5/8"x1'-6"x3'-7 1/2"	5/8"x8"x3'-7 1/2"	5/8"x1'-6"x3'-7 1/2"	5/8"x8"x3'-7 1/2"	1/2"x1'-7 1/2"x4'-9 1/2"	1"x1'-6"x1'-9 5/8"	1"x1'-6"x1'-9 5/8"	
	VI	1, 2, 3, 4, 5, 6	6-1	1/2"x1'-4"x2'-7 1/2"	1/2"x7"x2'-7 1/2"	1/2"x1'-4"x2'-7 1/2"	1/2"x7"x2'-7 1/2"	3/8"x1'-7 1/2"x3'-9"	3/4"x1'-4"x1'-3 5/8"	3/4"x1'-4"x1'-3 5/8"
			6-2	1/2"x1'-4"x2'-7 1/2"	1/2"x7"x2'-7 1/2"	1/2"x1'-4"x2'-7 1/2"	1/2"x7"x2'-7 1/2"	3/8"x1'-7 1/2"x3'-9"	3/4"x1'-4"x1'-3 5/8"	3/4"x1'-4"x1'-3 5/8"
6-3			1/2"x1'-4"x2'-7 1/2"	1/2"x7"x2'-7 1/2"	1/2"x1'-4"x2'-7 1/2"	1/2"x7"x2'-7 1/2"	3/8"x1'-7 1/2"x3'-9"	3/4"x1'-4"x1'-3 5/8"	3/4"x1'-4"x1'-3 5/8"	
6-4			1/2"x1'-4"x2'-7 1/2"	1/2"x7"x2'-7 1/2"	1/2"x1'-4"x2'-7 1/2"	1/2"x7"x2'-7 1/2"	3/8"x1'-7 1/2"x3'-9"	3/4"x1'-4"x1'-3 5/8"	3/4"x1'-4"x1'-3 5/8"	

0161705-60W2B-5099-FrameDetail.dgn



USER NAME = floresg
 DESIGNED - DD
 CHECKED - ATB
 PLOT SCALE = N.T.S.
 DRAWN - MRK
 PLOT DATE = 5/7/2014
 CHECKED - DD

DESIGNED - DD
 CHECKED - ATB
 DRAWN - MRK
 CHECKED - DD

REVISED
 REVISED
 REVISED
 REVISED

STATE OF ILLINOIS
 DEPARTMENT OF TRANSPORTATION

GIRDER SPLICE DETAILS
 STRUCTURE NO. 016-1705

SHEET NO. S-99 OF S-165 SHEETS

F.A.I. R.T.E.	SECTION	COUNTY	TOTAL SHEETS	SHEET NO.
90/94/290	2013-010R	COOK	747	415
CONTRACT NO.			60W28	
ILLINOIS FED. AID PROJECT				