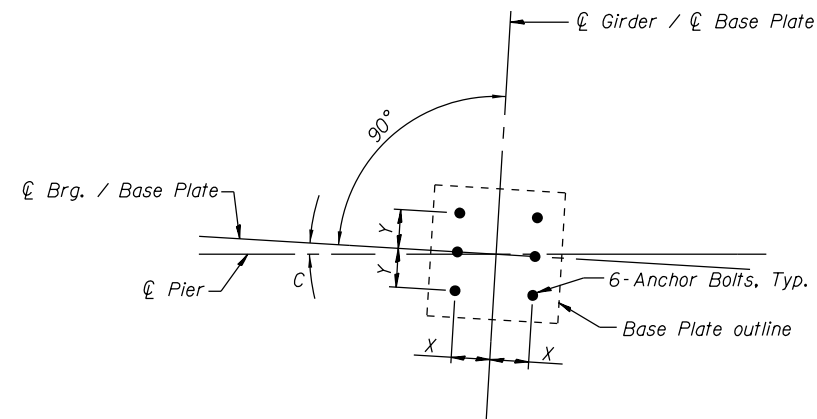


FIXED BEARING DIMENSIONS TABLE

Brg. Location	Vertical Design Load (kips)	Lateral Design Load (kips)	Bottom Bearing Plate			Top Bearing Plate								Th1	Th2	D	Anchor Bolt Dia.	Anchor Bolt Specification Grade
			Tb	Lb	Wb	Tt1	Tt2	Lt	Wt	M	N	R	S					
Unit II, Pier 3	650	125	2"	3'- 2"	3'- 2"	2 1/2"	3 1/4"	2'- 4"	2'- 4"	4 1/2"	9 1/2"	3 1/2"	7"	12"	1'- 0 3/4"	1'- 8"	1 1/4"	F1554, Grade 55
Unit III, Pier 5	600	115	1 3/4"	3'- 2"	3'- 2"	2 3/8"	3"	2'- 4"	2'- 4"	4 1/2"	9 1/2"	3 1/2"	7"	11 5/8"	1'- 0 1/4"	1'- 8"	1 1/4"	F1554, Grade 55
Unit IV, Pier 7	850	164	1 3/4"	3'- 4"	3'- 4"	3"	3 1/2"	2'- 6"	2'- 6"	3 1/2"	11 1/2"	4 1/2"	7"	1'- 1 1/4"	1'- 1 3/4"	2'- 0"	1 1/4"	F1554, Grade 55
Unit V, Pier 9	500	99	1 3/4"	3'- 0"	3'- 0"	3 1/2"	2 1/4"	2'- 2"	2'- 2"	4 1/2"	8 1/2"	4"	6"	1'- 0 1/4"	11"	1'- 6"	1"	F1554, Grade 36



ANCHOR BOLT LOCATION DETAIL.

Location	X	Y	C
Unit II, Pier 3	17"	17"	0°00'00"
Unit III, Pier 5	17"	17"	0°00'00"
Unit IV, Pier 7	18"	18"	0°00'00"
Unit V, Pier 9	16"	16"	0°00'00"

BILL OF MATERIAL

Item	Unit	Total
High Load Multi-Rotation Bearings, Fixed 500K	Each	6
High Load Multi-Rotation Bearings, Fixed 600K	Each	6
High Load Multi-Rotation Bearings, Fixed 650K	Each	8
High Load Multi-Rotation Bearings, Fixed 850K	Each	6
Anchor Bolts, 1"	Each	36
Anchor Bolts, 1 1/4"	Each	120

Notes:

- All HLMR bearings shall be designed to carry minimum Factored Ultimate (Strength) Design Rotation of 0.02 radians. See Special Provision.
- Anchor bolts shall be ASTM F1554 all-thread (or an Engineer-approved alternate material) of the grade(s) and diameter(s) specified. The corresponding specified grade of AASHTO M314 anchor bolts may be used in lieu of ASTM F1554.
- Work this sheet with sheet S-110.
- See Sheets S-103 thru S-105 for bearing layout & orientation.

0161705-60W28-5111-Bear.ing.dgn



USER NAME = floresg	DESIGNED - ATB	REVISED
	CHECKED - EJO	REVISED
PLOT SCALE = N.T.S.	DRAWN - MRK	REVISED
PLOT DATE = 5/7/2014	CHECKED - ATB	REVISED

**STATE OF ILLINOIS
DEPARTMENT OF TRANSPORTATION**

**FIXED POT BEARING DETAILS II
STRUCTURE NO. 016-1705**

SHEET NO. S-111 OF S-165 SHEETS

F.A.I. RTE.	SECTION	COUNTY	TOTAL SHEETS	SHEET NO.
90/94/290	2013-010R	COOK	747	427
CONTRACT NO.			60W28	
ILLINOIS FED. AID PROJECT				