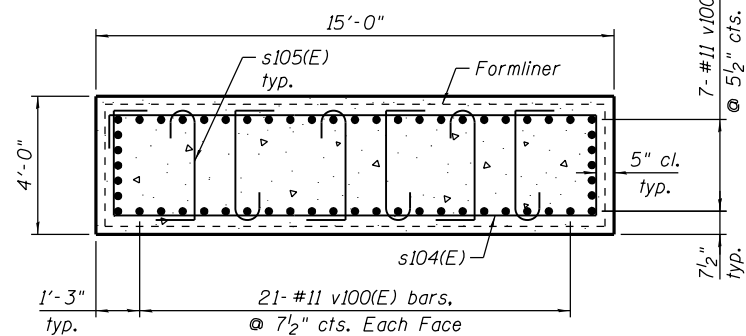
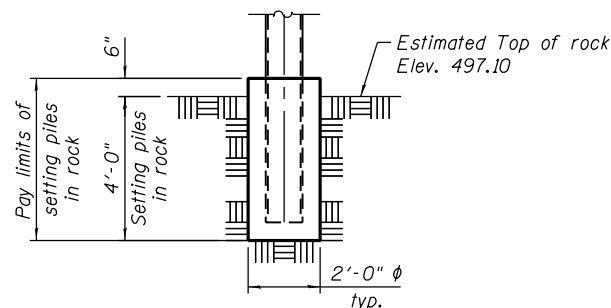


SECTION A-A



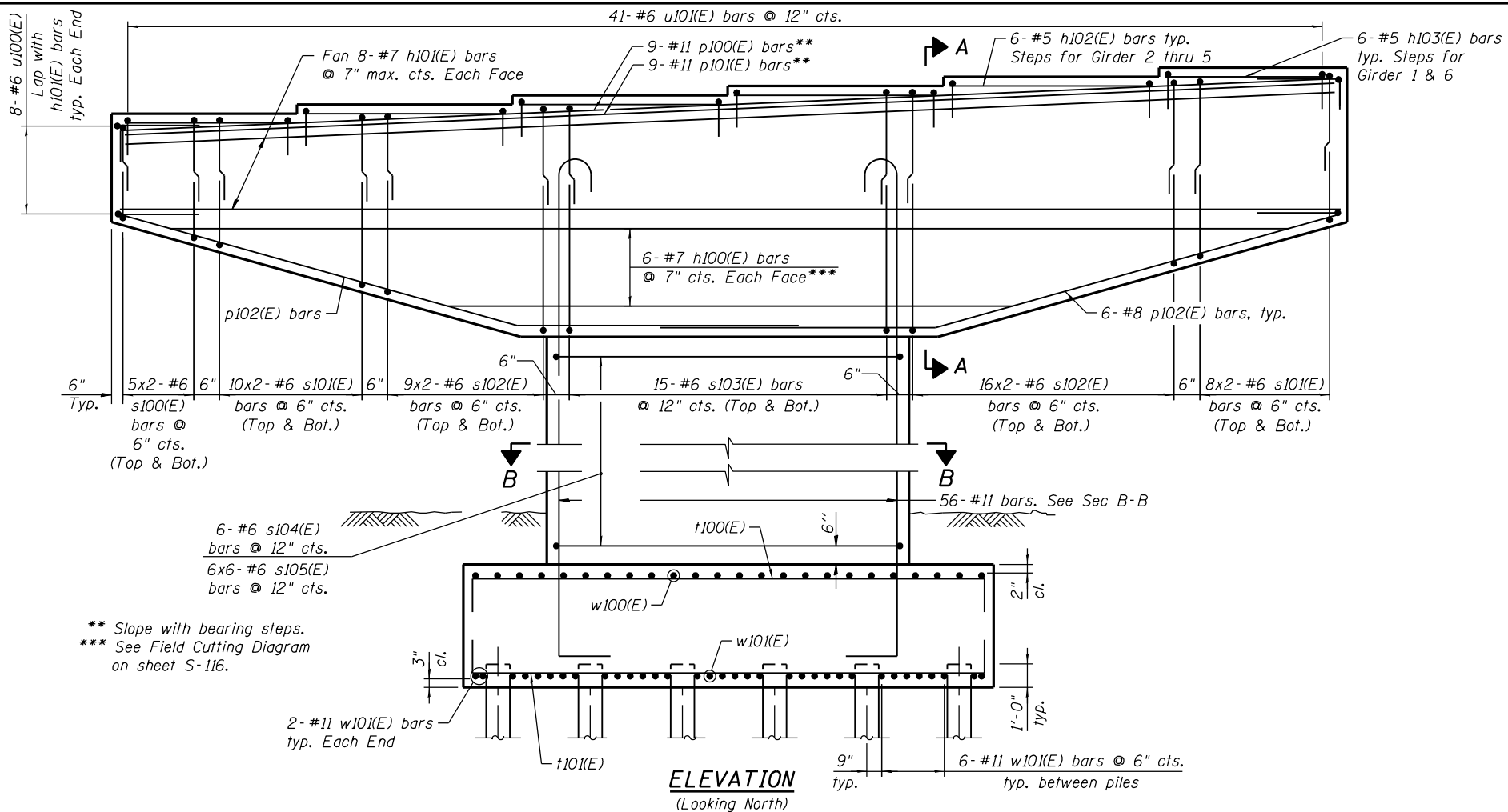
SECTION B-B



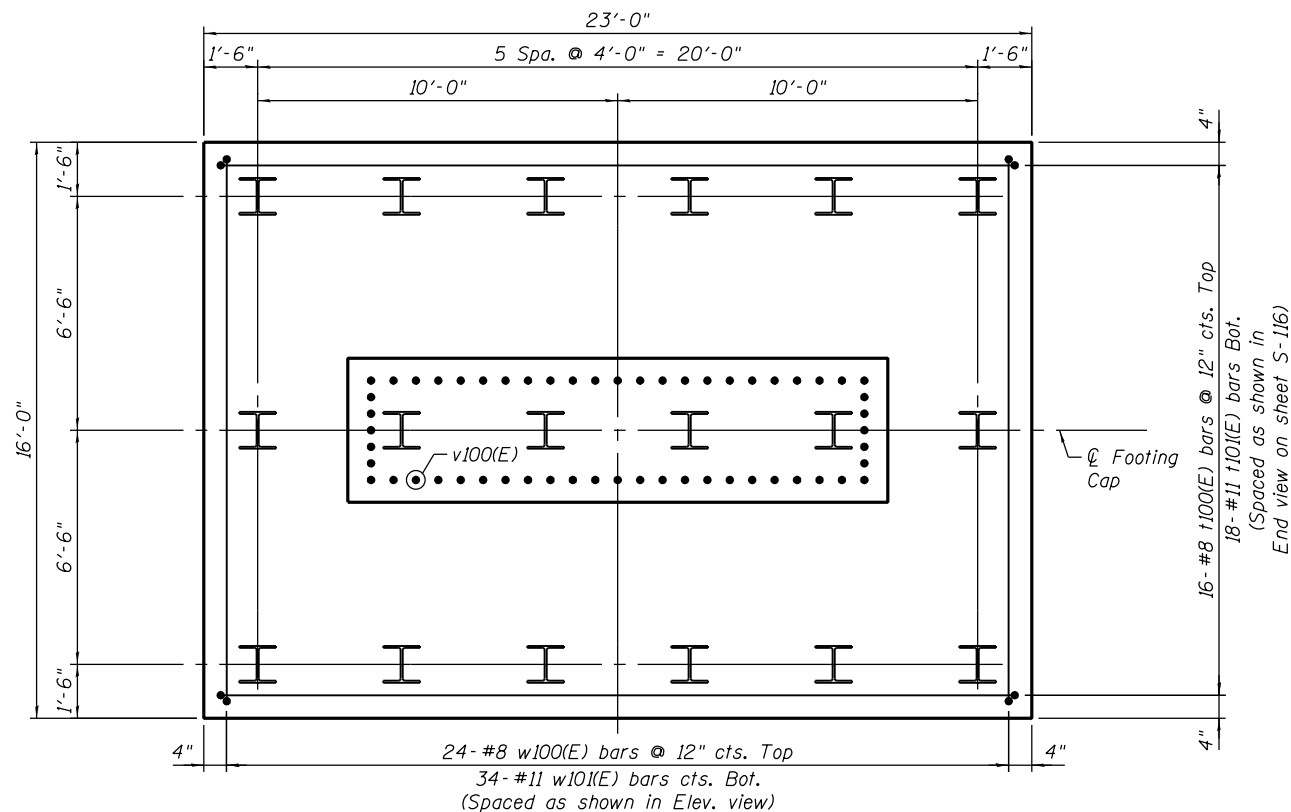
SETTING PILES IN ROCK DETAIL

NOTES:

1. Space reinforcement in cap to miss anchor bolts.
2. The Contractor shall field locate existing retaining wall (S.N. 016-Z024) piles prior to drilling and installing the proposed steel H-piles. The contractor may need to field adjust the proposed pile locations to avoid conflict with existing retaining wall piles. The spacing between two adjacent piles, in any direction within the pile group, shall not be greater than 8'-0" and shall not be less than 3'-0". If field adjustment is required, the Contractor shall submit a revised foundation layout plan depicting the location of all piles to the Engineer for approval prior to constructing the proposed foundations.



ELEVATION
(Looking North)



FOOTING PLAN

0161705-60W28-5117-Pier.dgn



USER NAME = floresg	DESIGNED - RD	REVISED
PLOT SCALE = N.T.S.	CHECKED - ATB	REVISED
PLOT DATE = 5/7/2014	DRAWN - BM	REVISED
	CHECKED - RD	REVISED

**STATE OF ILLINOIS
DEPARTMENT OF TRANSPORTATION**

**PIER 1 DETAILS
STRUCTURE NO. 016-1705**

SHEET NO. S-117 OF S-165 SHEETS

F.A.I. R.T.E. 90/94/290	SECTION 2013-010R	COUNTY COOK	TOTAL SHEETS 747	SHEET NO. 433
CONTRACT NO. 60W28			ILLINOIS FED. AID PROJECT	