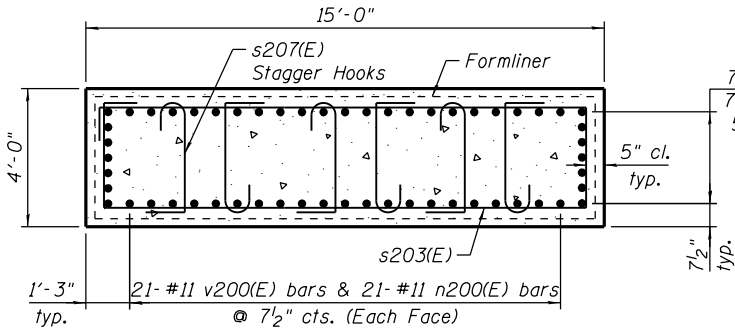
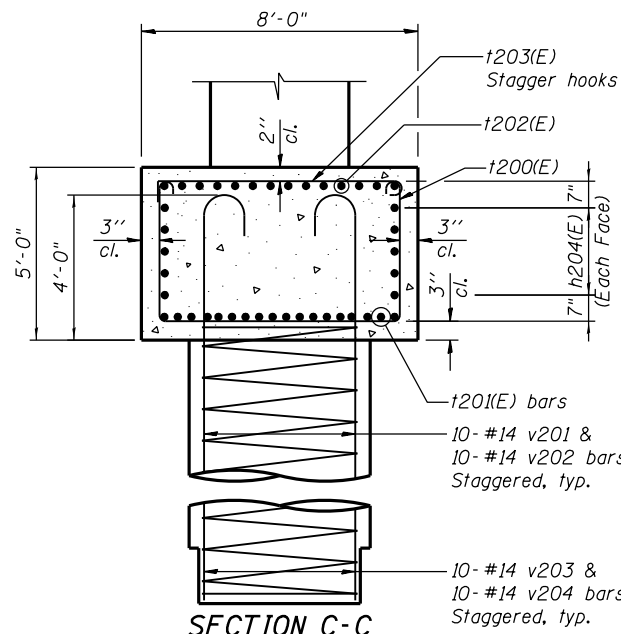


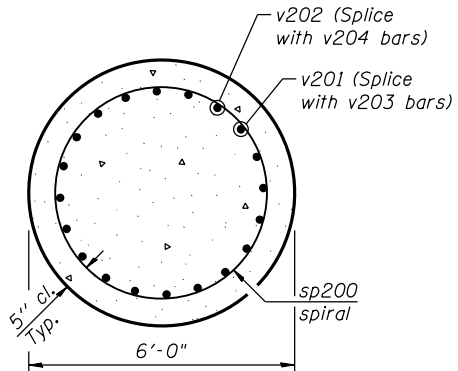
SECTION A-A



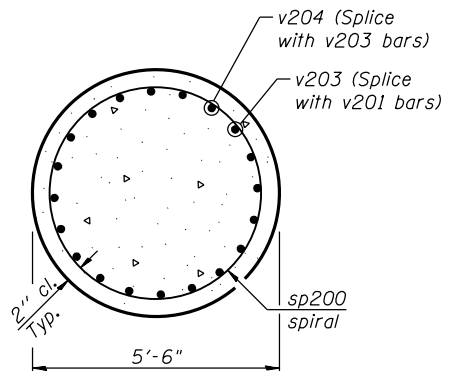
SECTION B-B



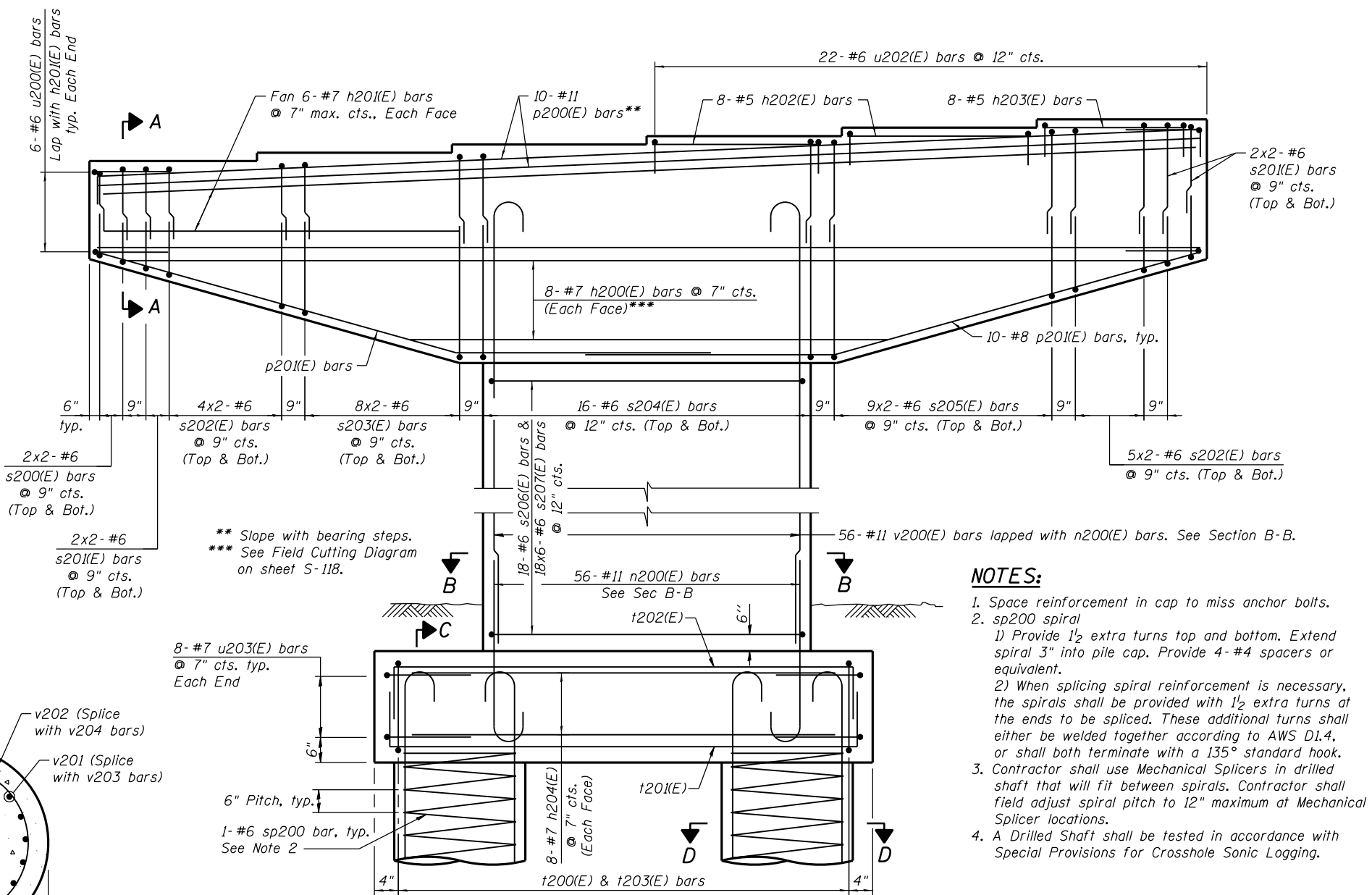
SECTION C-C



SECTION D-D

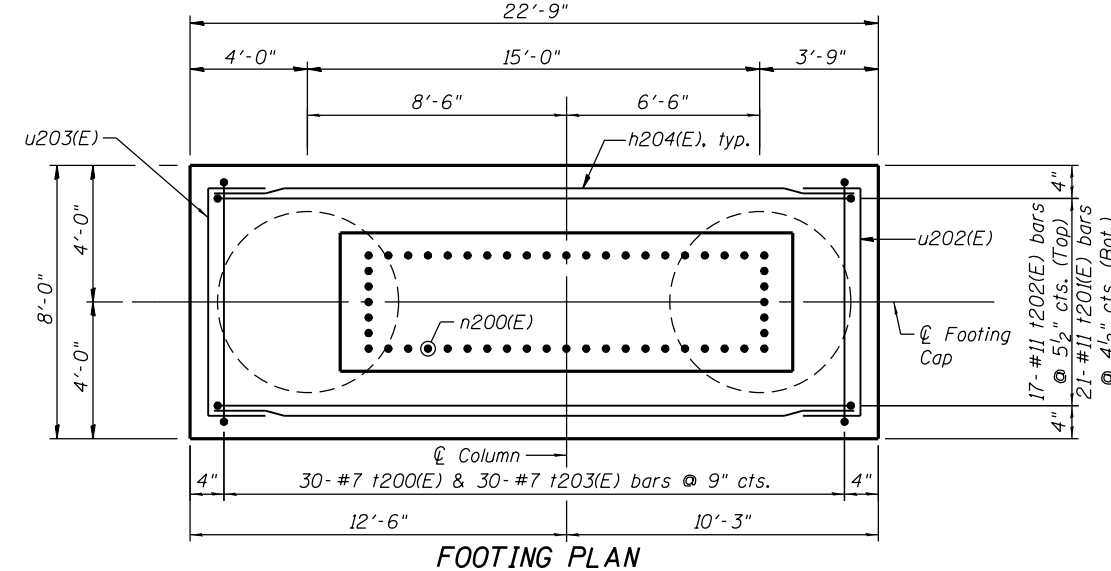


SECTION E-E



ELEVATION

(Looking North)



FOOTING PLAN

** Slope with bearing steps.
*** See Field Cutting Diagram on sheet S-118.

NOTES:

1. Space reinforcement in cap to miss anchor bolts.
2. sp200 spiral
 - 1) Provide 1 1/2 extra turns top and bottom. Extend spiral 3" into pile cap. Provide 4-#4 spacers or equivalent.
 - 2) When splicing spiral reinforcement is necessary, the spirals shall be provided with 1 1/2 extra turns at the ends to be spliced. These additional turns shall either be welded together according to AWS D1.4, or shall both terminate with a 135° standard hook.
3. Contractor shall use Mechanical Splicers in drilled shaft that will fit between spirals. Contractor shall field adjust spiral pitch to 12" maximum at Mechanical Splicer locations.
4. A Drilled Shaft shall be tested in accordance with Special Provisions for Crosshole Sonic Logging.

0161705-60W28-5119-Pier.dgn



USER NAME = floresg	DESIGNED - RD	REVISED
PLOT SCALE = N.T.S.	CHECKED - ATB	REVISED
PLOT DATE = 5/7/2014	DRAWN - BM	REVISED
	CHECKED - RD	REVISED

STATE OF ILLINOIS
DEPARTMENT OF TRANSPORTATION

PIER 2 DETAILS
STRUCTURE NO. 016-1705

SHEET NO. S-119 OF S-165 SHEETS

F.A.I. RTE. 90/94/290	SECTION 2013-010R	COUNTY COOK	TOTAL SHEETS 747	SHEET NO. 435
CONTRACT NO. 60W28			ILLINOIS FED. AID PROJECT	