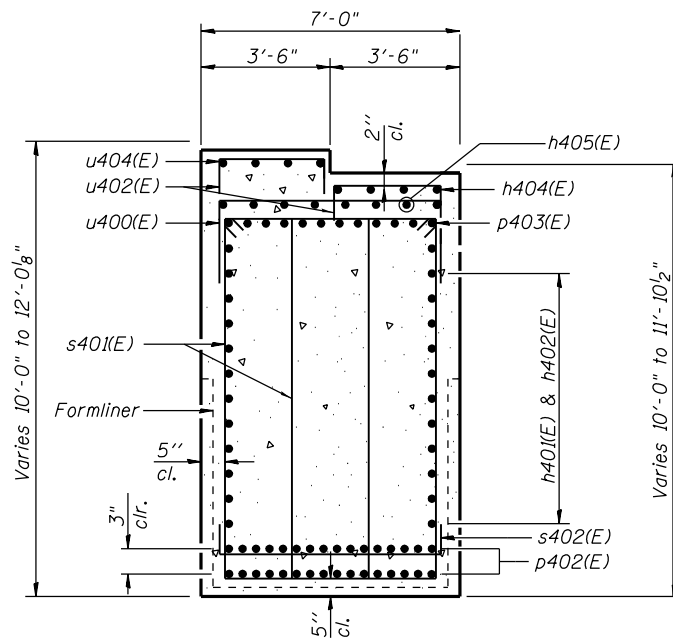
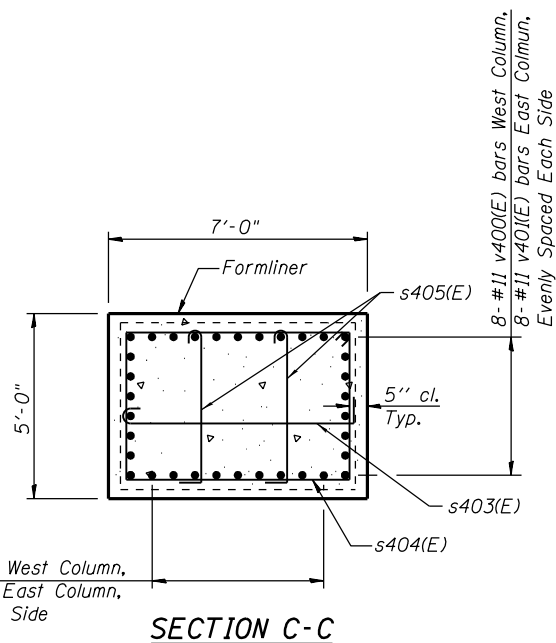


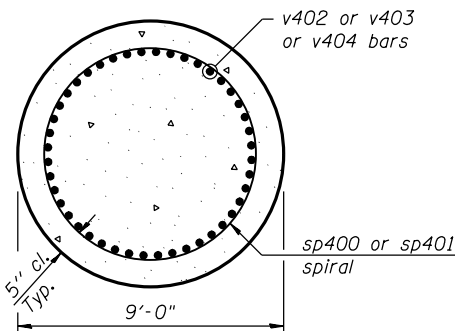
SECTION A-A



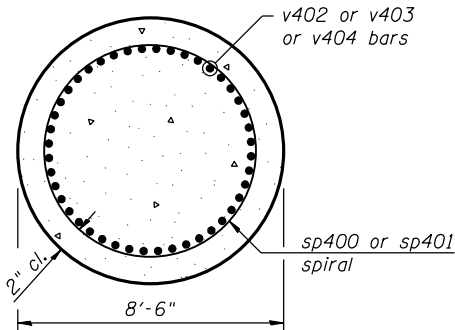
SECTION B-B



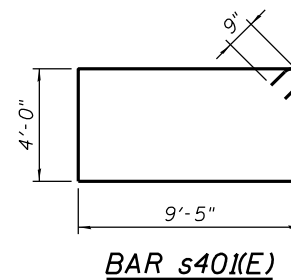
SECTION C-C



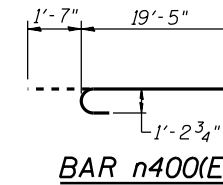
SECTION D-D



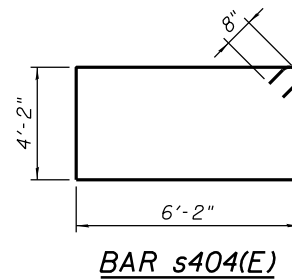
SECTION E-E



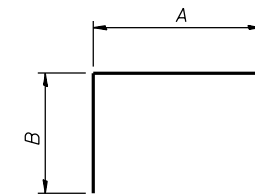
BAR s40(E)



BAR n400(E)

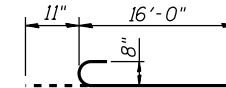


BAR s404(E)

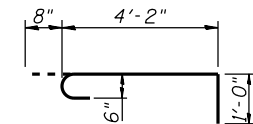


BARS  
A & B DIMENSIONS

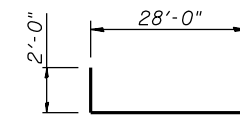
Bar	A	B
s402(E)	6'-2"	1'-2"
u400(E)	6'-2"	2'-0"
u40(E)	6'-0"	4'-0"
u402(E)	2'-11"	2'-0"



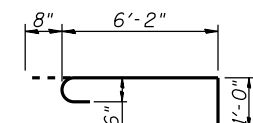
BAR p400(E)



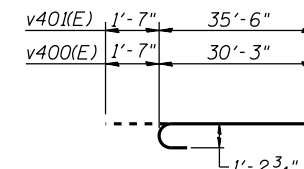
BAR s405(E)



BAR p40(E)



BAR s403(E)



BARS v400(E) & v40(E)

BILL OF MATERIAL

Bar	No.	Size	Length	Shape
h40(E)	30	#7	60'-0"	—
h402(E)	30	#7	21'-0"	—
h403(E)	8	#5	38'-6"	—
h404(E)	8	#5	7'-10"	—
h405(E)	24	#5	12'-0"	—
n400(E)	68	#11	21'-0"	—
p400(E)	16	#8	16'-11"	—
p40(E)	24	#11	30'-0"	—
p402(E)	32	#11	60'-0"	—
p403(E)	12	#8	33'-0"	—
s40(E)	210	#7	28'-4"	—
s402(E)	15	#4	8'-6"	—
s403(E)	57	#6	7'-10"	—
s404(E)	57	#6	22'-0"	—
s405(E)	114	#6	5'-10"	—
sp400	1	#6	87'-6"	—
sp401	1	#6	82'-2"	—
u400(E)	19	#6	10'-2"	—
u40(E)	30	#7	14'-0"	—
u402(E)	100	#6	6'-11"	—
v400(E)	34	#11	31'-10"	—
v40(E)	34	#11	37'-1"	—
v402	88	#14	60'-0"	—
v403	44	#14	27'-6"	—
v404	44	#14	22'-2"	—
Concrete Structures		Cu. Yd.	290.7	
Reinforcement Bars, Epoxy Coated		Pound	57,300	
Reinforcement Bars		Pound	70,420	
Drilled Shaft in Soil		Cu. Yd.	381.7	
Drilled Shaft in Rock		Cu. Yd.	16.8	
Concrete Sealer		Sq. Ft.	4,163	
Crosshole Sonic Logging		Each	2	

\*\* Length is height of spiral.

0161705-60W28-5125-Pier.dgn



USER NAME = floresg	DESIGNED - RD	REVISED
	CHECKED - ATB	REVISED
PLOT SCALE = N.T.S.	DRAWN - BM	REVISED
PLOT DATE = 5/7/2014	CHECKED - RD	REVISED

STATE OF ILLINOIS  
DEPARTMENT OF TRANSPORTATION

PIER 4 DETAILS II  
STRUCTURE NO. 016-1705

SHEET NO. S-125 OF S-165 SHEETS

F.A.I. RTE.	SECTION	COUNTY	TOTAL SHEETS	SHEET NO.
90/94/290	2013-010R	COOK	747	441
CONTRACT NO.			60W28	
ILLINOIS FED. AID PROJECT				