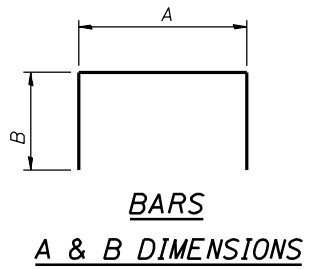
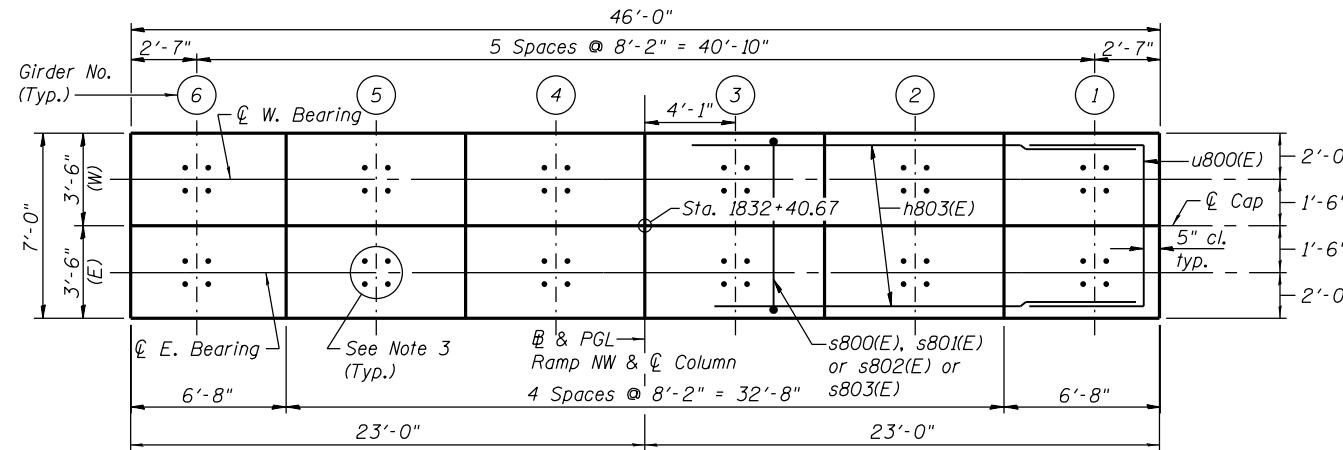


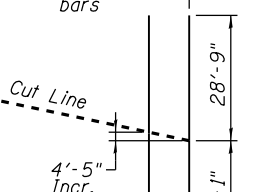
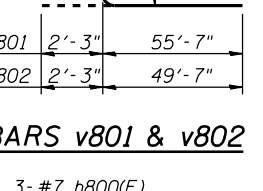
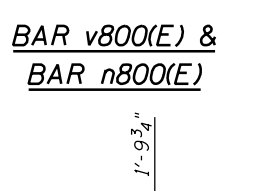
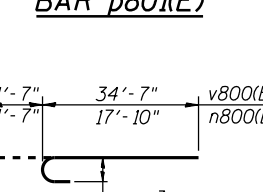
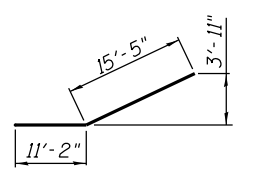
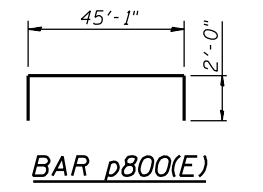
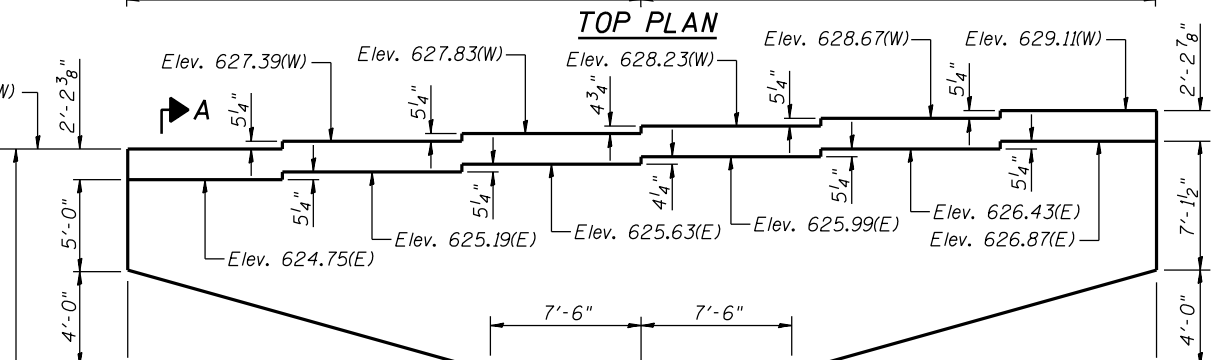
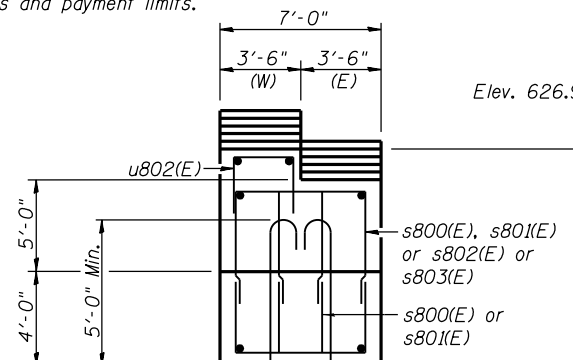
NOTES:

1. Pour steps monolithically with cap.
2. ϕ of Pier is radial to Ramp NW at Sta. 1832+40.67.
3. For Anchor Bolts Details see sheets S-108 & S-109.
4. For Architectural Details see sheets S-143 thru S-145.
5. See sheet S-133 & S-134 for Sections and Details.
6. (W)-West Girder, (E)-East Girder.
7. Concrete for Pier 8 shall be in accordance with Section 503 of Standard Specifications except that the max. design of concrete shall attain a compressive strength of 5,000 psi at 14 days.

* The quantities and detailing are based on the estimated elevations shown on the plans. The actual elevations may differ at each shaft and corresponding adjustments shall be made to the drilled shaft and reinforcement quantities and payment limits.



Bar	A	B
s800(E)	3'-8"	4'-7"
s801(E)	3'-8"	5'-6"
s802(E)	3'-8"	6'-8"
s803(E)	6'-2"	6'-8"
t800(E)	23'-4"	3'-3"
w800(E)	26'-4"	3'-3"
u800(E)	6'-0"	4'-0"
u801(E)	2'-11"	1'-0"
u802(E)	2'-11"	3'-6"
u804(E)	23'-6"	4'-0"



BILL OF MATERIAL

Bar	No.	Size	Length	Shape
h800(E)	6	#7	61'-10"	—
h801(E)	22	#7	45'-2"	—
h802(E)	20	#5	7'-2"	—
h803(E)	15	#5	6'-1"	—
h804(E)	20	#5	22'-0"	—
h805(E)	5	#5	14'-3"	—
h806(E)	22	#7	26'-6"	—
n800(E)	60	#11	19'-5"	U
p800(E)	18	#11	49'-1"	┌
p801(E)	20	#8	27'-7"	┌
s800(E)	16	#6	12'-10"	┌
s801(E)	28	#6	14'-6"	┌
s802(E)	84	#6	17'-6"	┌
s803(E)	28	#6	19'-6"	┌
s804(E)	29	#6	20'-4"	┌
s805(E)	174	#6	4'-10"	┌
sp800	5	#6	103'-10"	W
t800(E)	154	#11	29'-10"	┌
u800(E)	22	#7	14'-0"	┌
u801(E)	46	#6	4'-11"	┌
u802(E)	46	#6	9'-11"	┌
u804(E)	22	#7	31'-6"	┌
v800(E)	60	#11	36'-2"	U
v801	70	#14	57'-10"	U
v802	70	#14	51'-10"	U
v803	70	#14	54'-0"	—
v804	70	#14	60'-0"	—
w800(E)	96	#11	32'-10"	┌
Concrete Structures		Cu. Yd.	351.1	
Reinforcement Bars, Epoxy Coated		Pound	78,970	
Reinforcement Bars		Pound	140,480	
Drilled Shaft in Soil		Cu. Yd.	362.1	
Drilled Shaft in Rock		Cu. Yd.	11.8	
Concrete Sealer		Sq. Ft.	2,736	
Braced Excavation		Cu. Yd.	363.3	
Crosshole Sonic Logging		Each	1	

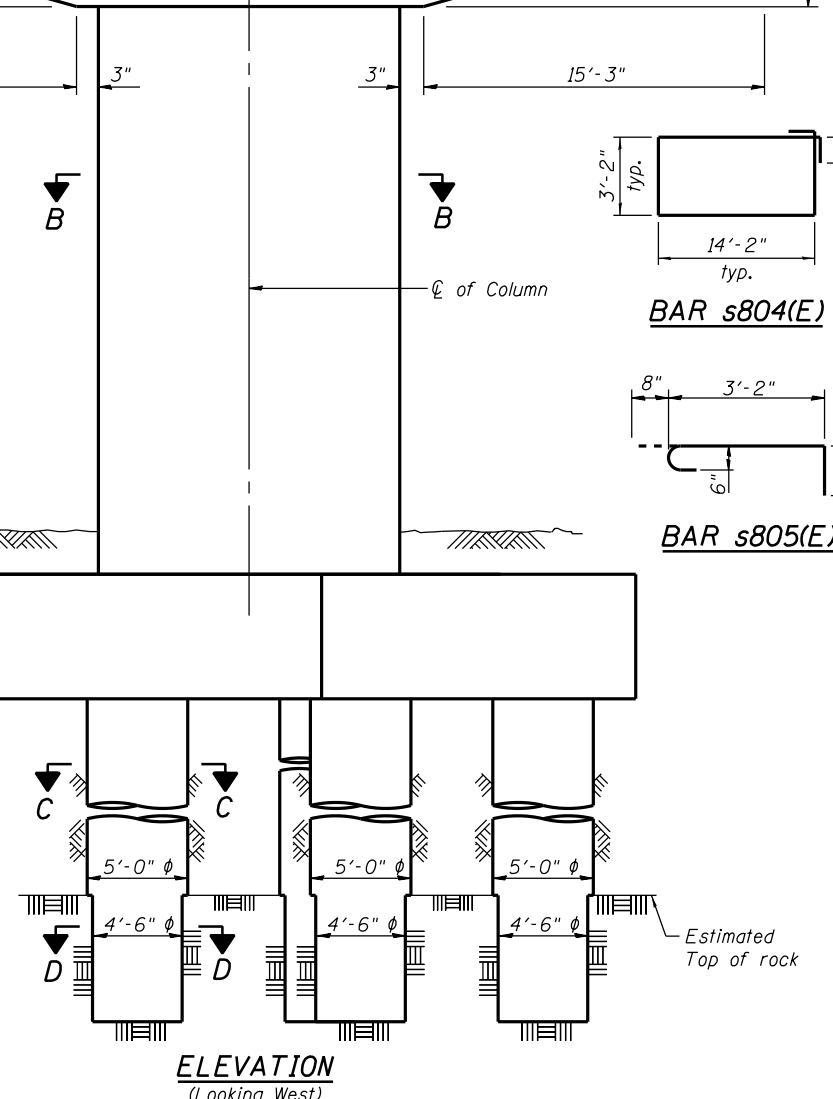
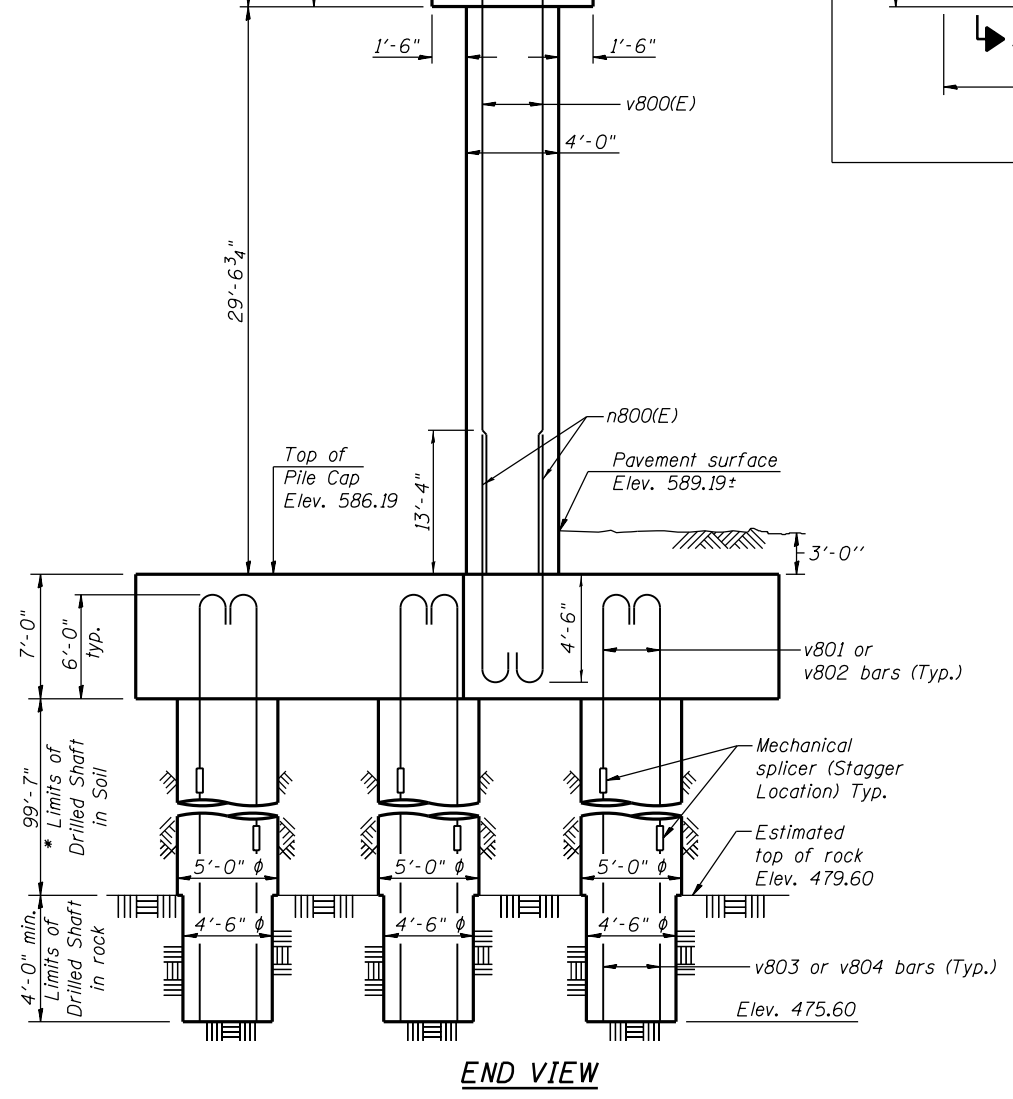
** Length is height of spiral.

MIN. LAP LENGTH

- #6 bars: 3'-10"
- #8 bars: 6'-9"
- #11 bars: 13'-4"

FIELD CUTTING DIAGRAM

Order h800(E) bars full length. Cut as shown and use remainder of bars



USER NAME = floresg	DESIGNED - RD	REVISED
CHECKED - ATB	REVISED	
PLOT SCALE = N.T.S.	DRAWN - BM	REVISED
PLOT DATE = 5/7/2014	CHECKED - RD	REVISED

STATE OF ILLINOIS
DEPARTMENT OF TRANSPORTATION

PIER 8 - PLAN AND ELEVATION
STRUCTURE NO. 016-1705

SHEET NO. S-132 OF S-165 SHEETS

F.A.I. RTE. 90/94/290	SECTION 2013-010R	COUNTY COOK	TOTAL SHEETS 747	SHEET NO. 448
CONTRACT NO. 60W28			ILLINOIS FED. AID PROJECT	

0161705-60W28-S132-Pier.dgn