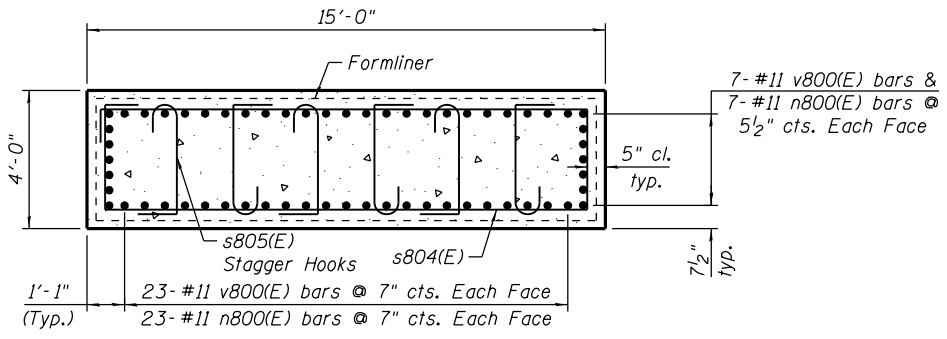
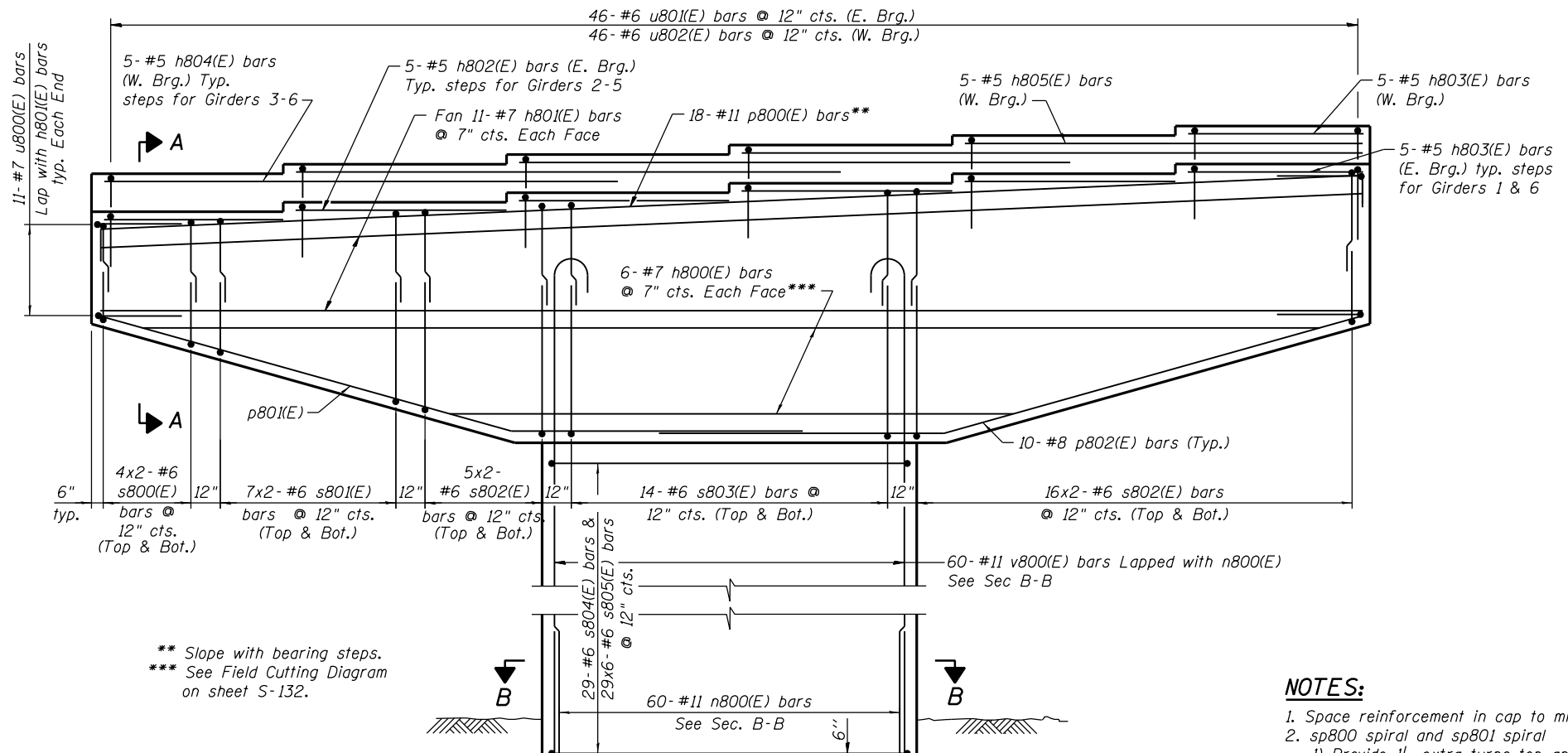


SECTION A-A



SECTION B-B



ELEVATION
(Looking West)

** Slope with bearing steps.
*** See Field Cutting Diagram on sheet S-132.

For Footing Cap Reinforcement Details, See Sheet S-134.

NOTES:

1. Space reinforcement in cap to miss anchor bolts.
2. sp800 spiral and sp801 spiral
1) Provide 1/2 extra turns top and bottom. Extend spiral 3" into pile cap. Provide 4-#4 spacers or equivalent.
2) When splicing spiral reinforcement is necessary, the spirals shall be provided with 1/2 extra turns at the ends to be spliced. These additional turns shall either be welded together according to AWS D1.4, or shall both terminate with a 135° standard hook.
3. Contractor shall use Mechanical Splicers in drilled shaft that will fit between spirals. Contractor shall field adjust spiral pitch to 12" maximum at Mechanical Splicer locations.
4. A Drilled Shaft shall be tested in accordance with Special Provisions for Crosshole Sonic Logging.
5. Work this sheet with sheet S-132 & S-134.

0161705-60W28-S133-Pier.dgn



USER NAME = floresg	DESIGNED - RD	REVISED
	CHECKED - ATB	REVISED
PLOT SCALE = N.T.S.	DRAWN - BM	REVISED
PLOT DATE = 5/7/2014	CHECKED - RD	REVISED

STATE OF ILLINOIS
DEPARTMENT OF TRANSPORTATION

PIER 8 DETAILS I
STRUCTURE NO. 016-1705

SHEET NO. S-133 OF S-165 SHEETS

F.A.I. RTE.	SECTION	COUNTY	TOTAL SHEETS	SHEET NO.
90/94/290	2013-010R	COOK	747	449
CONTRACT NO.			60W28	
ILLINOIS FED. AID PROJECT				