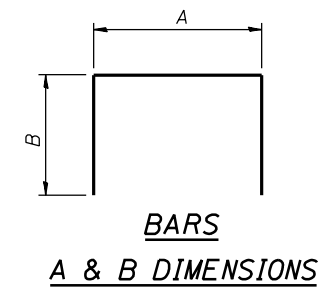
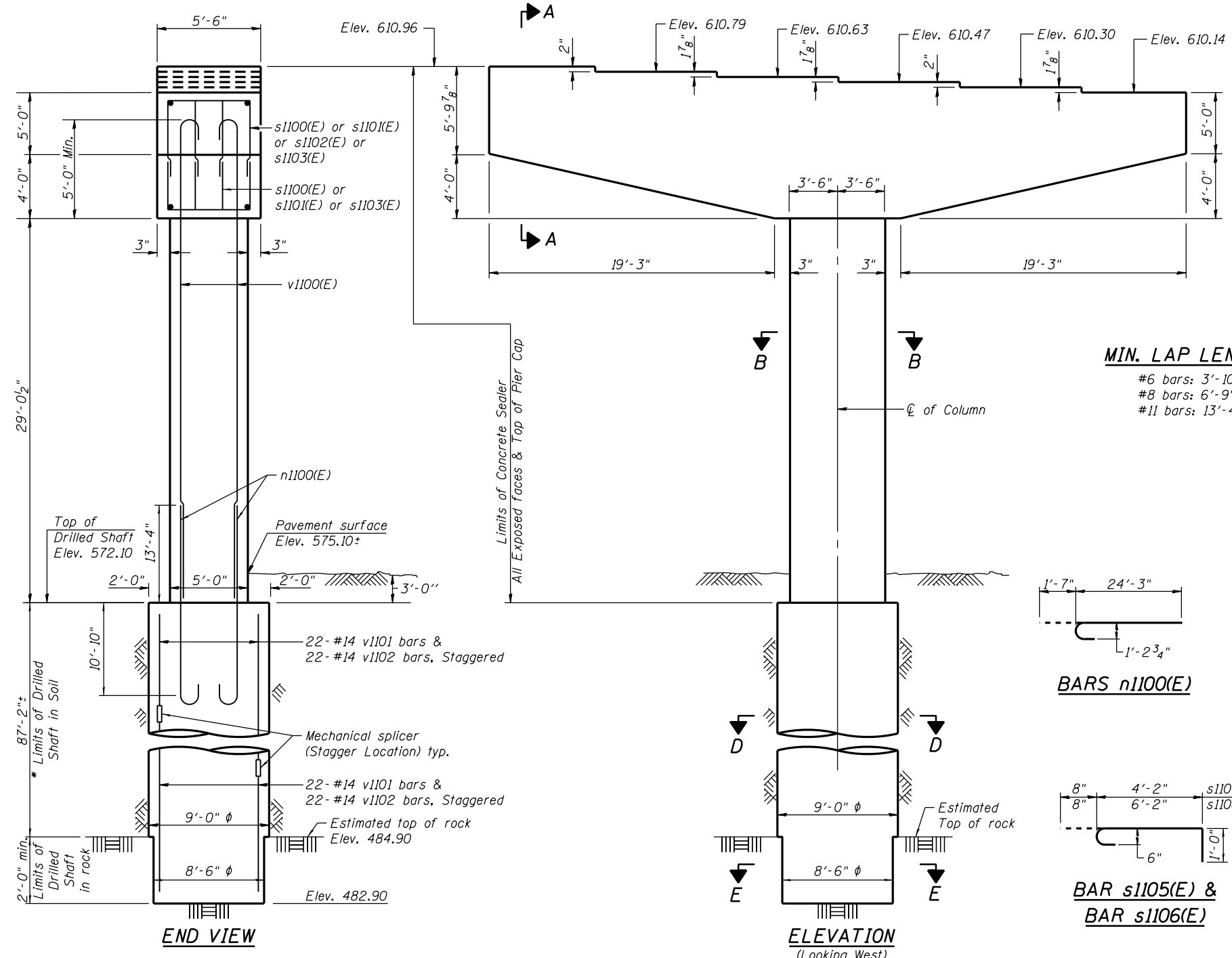
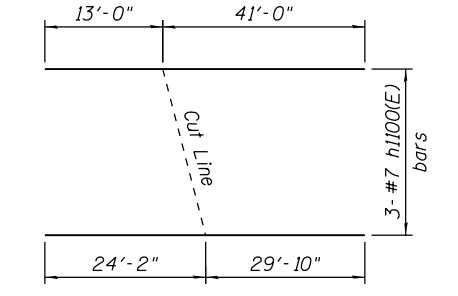
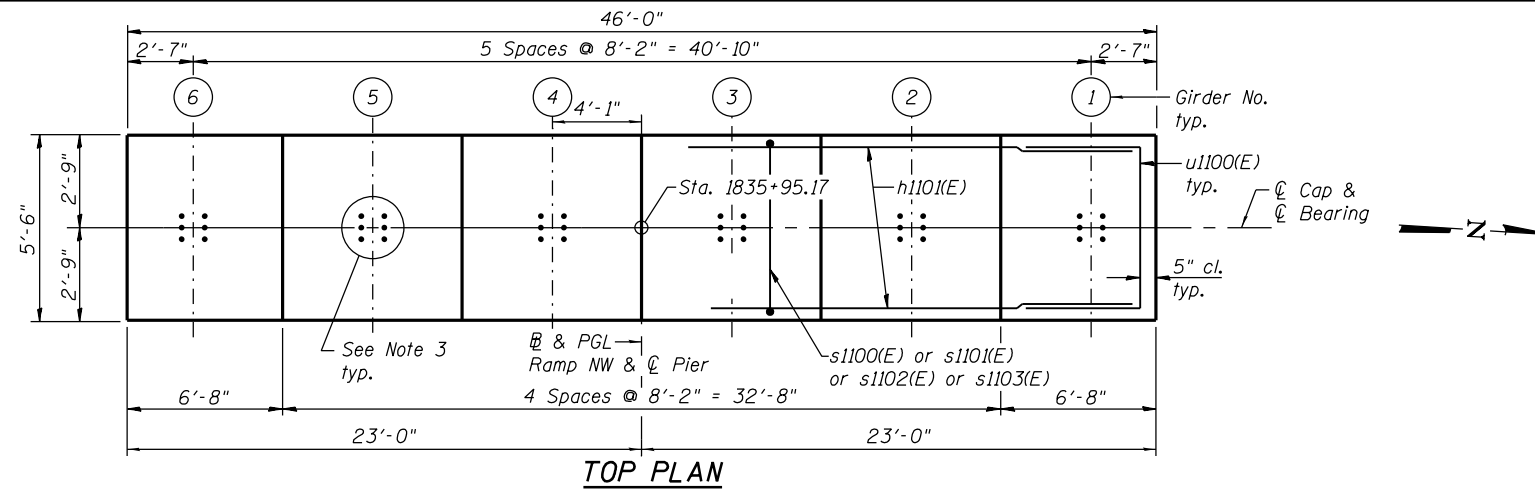


NOTES:

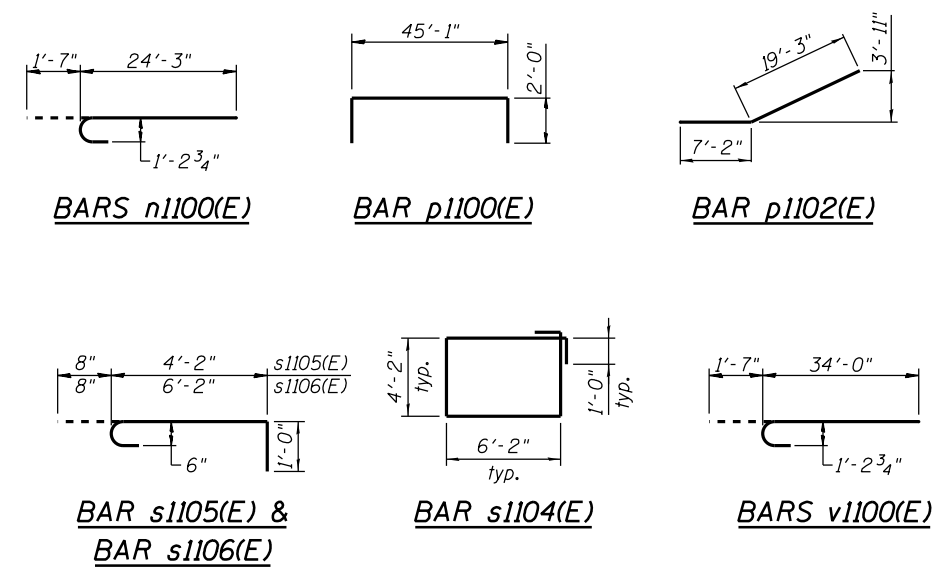
1. Pour steps monolithically with cap.
2. ϕ of Pier is radial to ϕ Ramp NW at Sta. 1835+95.17.
3. For Anchor Bolts Details see sheet S-108 & S-109.
4. For Architectural Details see sheets S-143 thru S-145.
5. See sheet S-140 for Sections and Details.

* The quantities and detailing are based on the estimated elevations shown on the plans. The actual elevations may differ at each shaft and corresponding adjustments shall be made to the drilled shaft and reinforcement quantities and payment limits.



MIN. LAP LENGTH

#6 bars: 3'-10"
 #8 bars: 6'-9"
 #11 bars: 13'-4"



BILL OF MATERIAL

Bar	No.	Size	Length	Shape
h1100(E)	6	#7	54'-0"	—
h110(E)	16	#7	45'-2"	—
n1100(E)	50	#11	25'-10"	U
p1100(E)	13	#11	49'-1"	U
p110(E)	13	#11	43'-8"	U
p1102(E)	16	#8	26'-5"	U
s1100(E)	116	#6	13'-6"	U
s110(E)	164	#6	15'-8"	U
s1102(E)	12	#6	17'-8"	U
s1103(E)	32	#6	12'-0"	U
s1104(E)	58	#6	22'-8"	U
s1105(E)	116	#6	5'-10"	U
s1106(E)	58	#6	7'-10"	U
sp1100	1	#6	89'-0"	W
u1100(E)	16	#6	12'-6"	U
v1100(E)	50	#11	35'-7"	U
v1101	44	#14	29'-0"	U
v1102	44	#14	60'-0"	U
Concrete Structures		Cu. Yd.	110.1	
Reinforcement Bars, Epoxy Coated		Pound	37,070	
Reinforcement Bars		Pound	36,930	
Drilled Shaft in Soil		Cu. Yd.	205.4	
Drilled Shaft in Rock		Cu. Yd.	4.2	
Concrete Sealer		Sq. Ft.	1,944	
Crosshole Sonic Logging		Each	1	

** Length is height of spiral.

0161705-60W28-S139-Pier.dgn



USER NAME = floresg	DESIGNED - RD	REVISED
PLOT SCALE = N.T.S.	CHECKED - ATB	REVISED
PLOT DATE = 5/7/2014	DRAWN - BM	REVISED
	CHECKED - RD	REVISED

**STATE OF ILLINOIS
 DEPARTMENT OF TRANSPORTATION**

**PIER 11 - PLAN AND ELEVATION
 STRUCTURE NO. 016-1705**

SHEET NO. S-139 OF S-165 SHEETS

F.A.I. RTE. 90/94/290	SECTION 2013-010R	COUNTY COOK	TOTAL SHEETS 747	SHEET NO. 454
CONTRACT NO. 60W28			ILLINOIS FED. AID PROJECT	