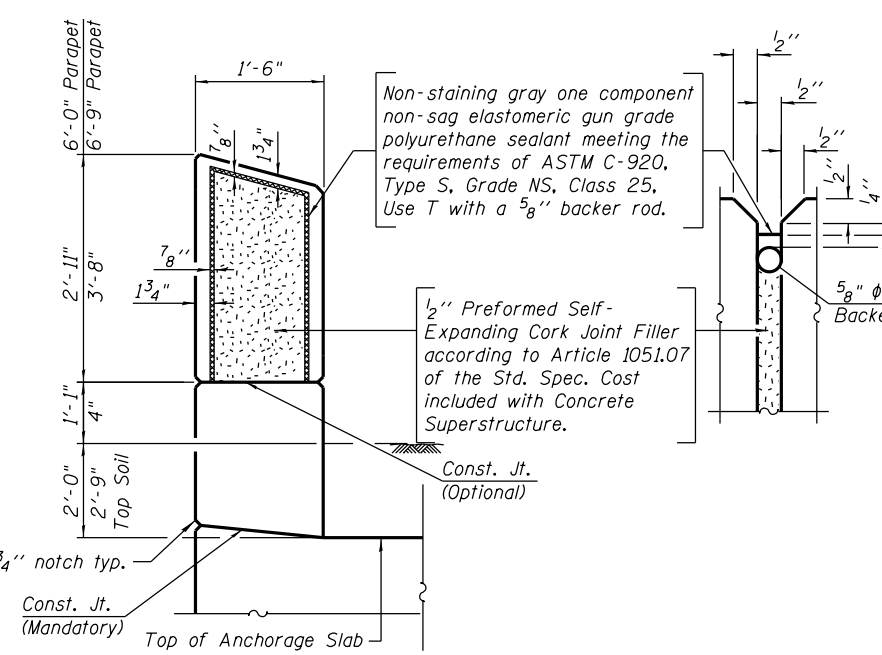
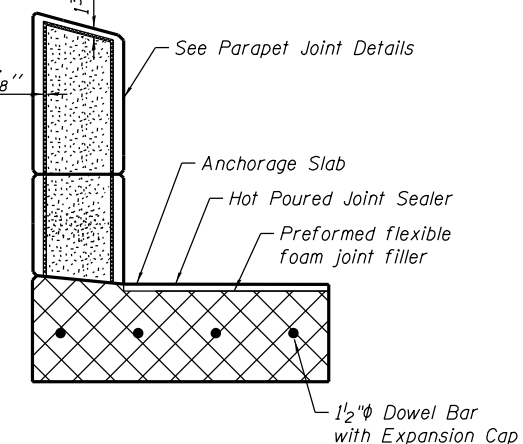


TYPICAL SECTION
(Looking upstasion)

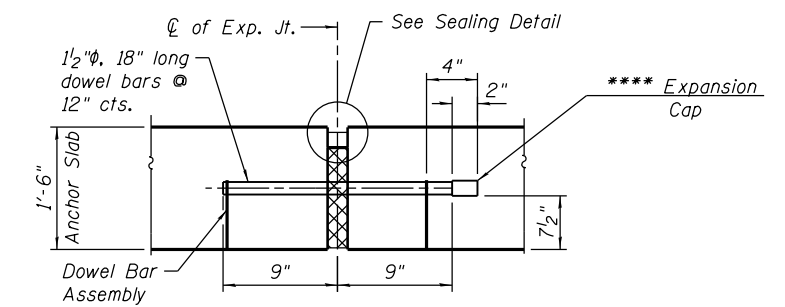
** Backfill overexcavation with granular backfill
 *** Noise Abatement Wall Foundation type, diameter, depth, and spacing to be determined by Contractor.



PARAPET CONTRACTION JOINT DETAILS



TRANSVERSE EXPANSION JOINT SECTION



ANCHOR SLAB TO ANCHOR SLAB TRANSVERSE EXPANSION JOINT

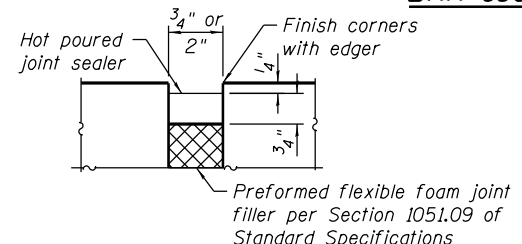
Expansion Joint Filler, Sealer and Dowel Bars included in cost of Concrete Superstructure.
 **** Expansion caps shall be installed on the exposed end of each dowel bar once header has been removed and the joint filler material has been installed.

BAR d600(E)

A & B DIMENSIONS

Bar	A	B
d600(E)	3'-11"	1'-5"
d601(E)	6'-11"	1'-0"
d602(E)	7'-2"	1'-0"
d603(E)	7'-8"	1'-0"
d604(E)	7'-11"	1'-0"

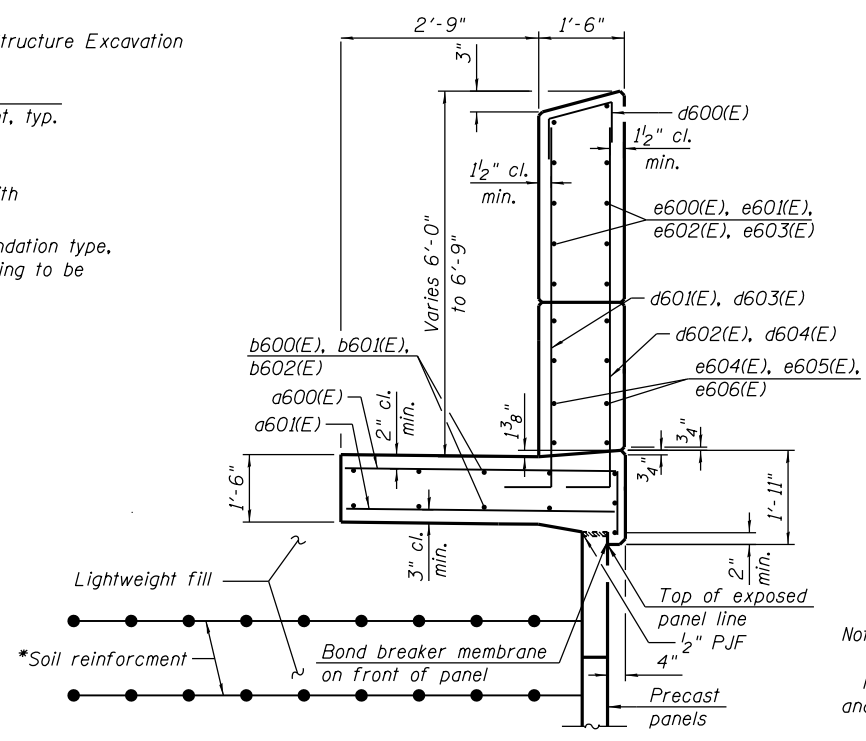
BAR d600(E), d601(E), d602(E), d603(E) and d604(E)



SEALER DETAIL

BILL OF MATERIAL

Bar	No.	Size	Length	Shape
d600(E)	248	#5	5'-4"	└┘
d601(E)	248	#5	3'-11"	—
b600(E)	11	#5	29'-3"	—
b601(E)	44	#5	30'-7"	—
b602(E)	44	#5	28'-7"	—
d600(E)	263	#4	3'-0"	└┘
d601(E)	231	#6	7'-11"	└┘
d602(E)	231	#6	8'-2"	└┘
d603(E)	32	#6	9'-8"	└┘
d604(E)	32	#6	8'-11"	└┘
e600(E)	8	#5	14'-1"	—
e601(E)	100	#5	14'-9"	—
e602(E)	16	#5	18'-4"	—
e603(E)	8	#5	14'-6"	—
e604(E)	8	#5	29'-1"	—
e605(E)	32	#5	30'-7"	—
e606(E)	32	#5	27'-7"	—
Concrete Superstructure			Cu. Yd.	151.1
Protective Coat			Sq. Yd.	152
Reinforcement Bars, Epoxy Coated			Pound	16,720



SECTION A-A

* The M.S.E. wall supplier's internal stability design shall account for the anchorage slab's bearing pressure surcharge of 0.6 ksf and horizontal sliding force of 0.4 kips/ft. of wall.

Notes:
 All edges shall be chamfered 3/4 inches.
 Protective coat shall be applied to the parapet top and interior vertical surface above ground line.
 Bars indicated thus 3x4-#5 etc. indicates 3 lines of bars with 4 lengths per line.
 See Sheet RW40-06 of RW40-12 for additional notes for MSE wall suppliers.
 Aggregate columns shall be placed to avoid existing utilities, proposed utilities and proposed Noise Abatement Wall Foundations.

9:56:02 AM - c:\pwworking\king_aecom\00\khastings\0264557\0161809-60W28-504-Barrler.rdg



USER NAME = khastings	DESIGNED - RAH	REVISED -
PLOT SCALE = 2x @ 1" / Ft.	CHECKED - KAH	REVISED -
PLOT DATE = 4/28/2014	DRAWN - KAH	REVISED -
	CHECKED - IK/DL	REVISED -

**STATE OF ILLINOIS
DEPARTMENT OF TRANSPORTATION**

**MSE CROSS SECTION AND DETAILS
STRUCTURE NO. 016-1809**

F.A.I. RT. 90/94	SECTION 2013-010R	COUNTY COOK	TOTAL SHEETS 747	SHEET NO. 571
ILLINOIS FED. AID PROJECT			CONTRACT NO. 60W28	