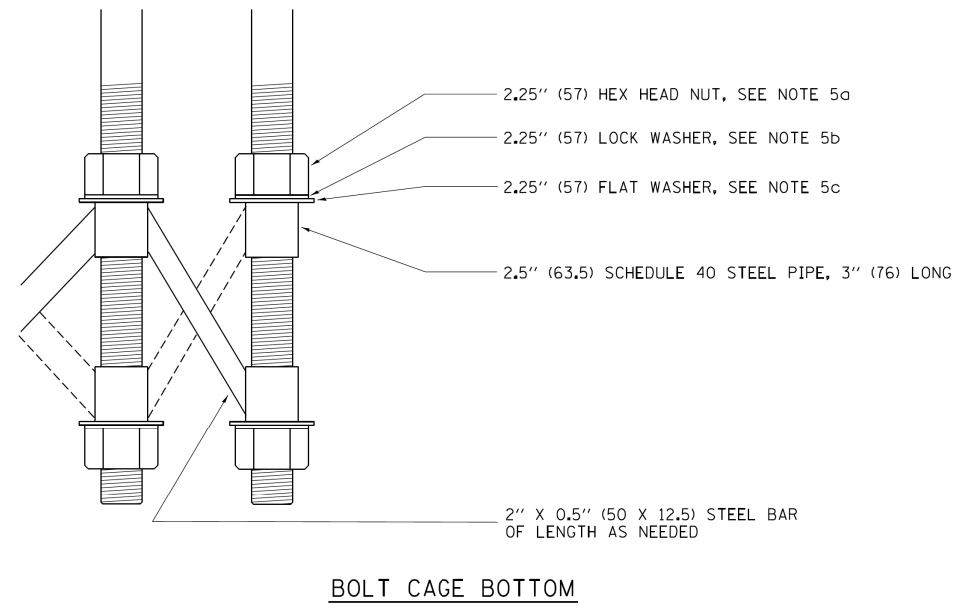
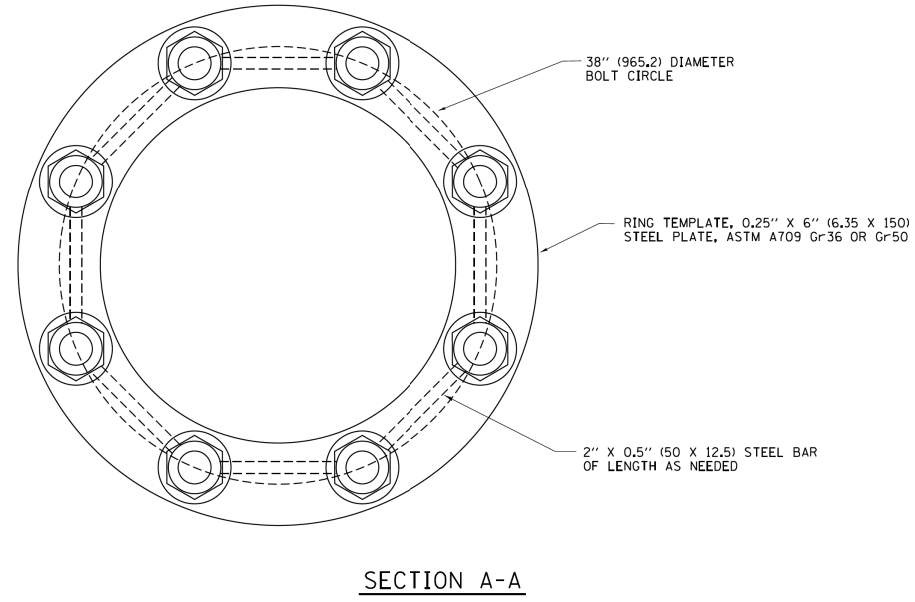
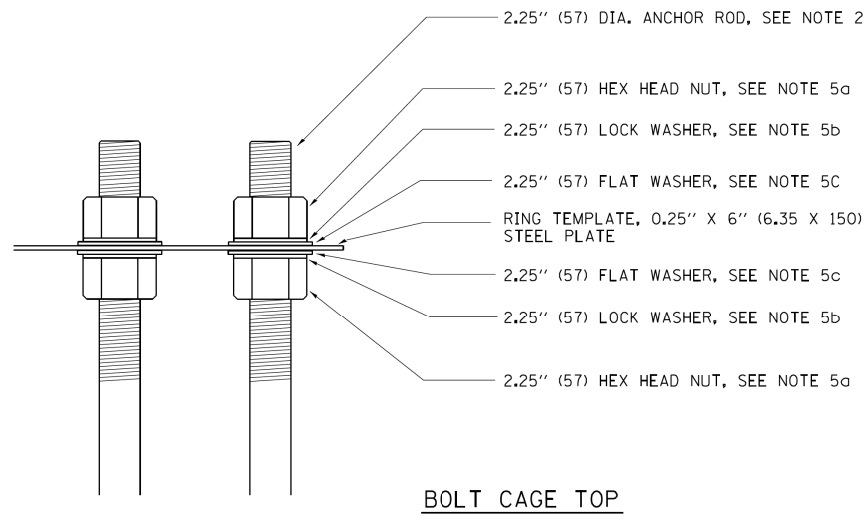
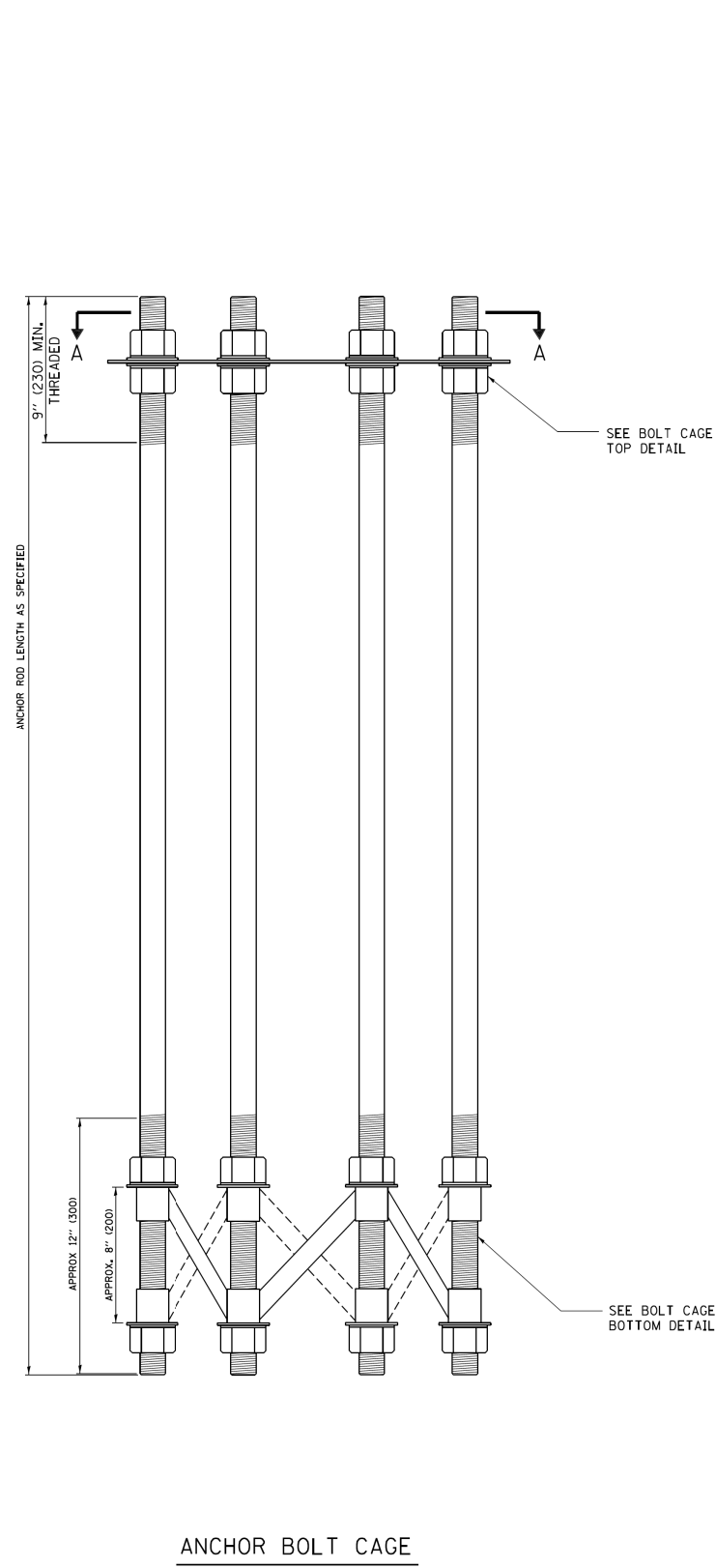


FILE PATH = C:\Project\state\14-0323 - W28 Final PDFs\0160W28-SHT-D1-Detail-BE-511B.dgn



NOTES

- ALL DIMENSIONS IN INCHES (MILLIMETERS) UNLESS OTHERWISE SHOWN
- ANCHOR RODS SHALL BE STRAIGHT AND SHALL BE ACCORDING TO AASHTO M 314 OR ASTM F1554, GRADE 725 (GRADE 105) AND GALVANIZED ACCORDING TO ARTICLE 1006.09.
- ANCHOR ROD INFORMATION SHALL BE SUBMITTED FOR APPROVAL AND SHALL BE FULLY COORDINATED WITH TOWER MANUFACTURERS REQUIREMENTS.
- CUT NUTS, OR JAM NUTS, ARE NOT ALLOWED
- ANCHOR ROD CAGE HARDWARE SHALL BE IN ACCORDANCE WITH THE FOLLOWING:
 - a) 2.25 (57) HEX HEAD NUTS
AASHTO M291, GRADE C, C3, D ,DH OR DH3
HOT DIPPED GALVANIZED AASHTO M 232
 - b) 2.25 (57) HELICAL LOCK WASHERS
ANSI/ASME B18.21.1
I.D. 2.262 - 2.287
O.D. 3.345 MAX.
WIDTH 0.508 (13) MIN.
THICKNESS 0.508 (13) MIN.
HARDNESS 26-45 ROCKWELL C
HOT DIPPED GALVANIZED AASHTO M232
 - c) 2.25 (57) FLAT WASHERS
AASHTO M293
O.D. 4.00 (101)
I.D. 2.38 (60)
THICKNESS 0.24 - 0.34
HARDNESS 26-45 ROCKWELL C.
HOT DIPPED GALVANIZED AASHTO M232
- THE SHAFT LENGTHS SHALL BE BASED ON SOIL BORINGS IN THE PLANS AND OR A DETERMINATION OF SOIL CONDITIONS BY THE ENGINEER.
- ALL FOUNDATION REINFORCEMENT STEEL SHALL BE EPOXY COATED.
- THE FOUNDATION SHALL BE POURED MONOLITHICALLY AND SHALL HAVE NO CONSTRUCTION JOINTS.
- ANCHOR RODS AND ALL ASSOCIATED HARDWARE ARE SHOWN AS MINIMUMS. SIZING SHALL BE DETERMINED BY THE TOWER MANUFACTURER AND APPROVED BY THE ENGINEER. EACH FOUNDATION SHALL HAVE A MINIMUM OF 8 ANCHOR RODS.



D160W28-SHT-D1-Detail-(BE-511B).dgn
 USER NAME = auyeungh
 PLOT SCALE = 50.0000' / in.
 PLOT DATE = 3/24/2014

DESIGNED - R. TOMSONS
 DRAWN -
 CHECKED -
 DATE - 03-12-10

REVISED - 02-27-13
 REVISED -
 REVISED -
 REVISED -

**STATE OF ILLINOIS
 DEPARTMENT OF TRANSPORTATION**

**HIGH MAST LIGHT TOWER
 150 FT TO 160 FT FOUNDATION DETAIL**

SCALE: SHEET 17 OF 40 SHEETS STA. TO STA.

F.A.I. RTE.	SECTION	COUNTY	TOTAL SHEETS	SHEET NO.
90/94/290	2013-010R	COOK	747	601
BE-511b			CONTRACT NO. 60W28	
ILLINOIS FED. AID PROJECT				