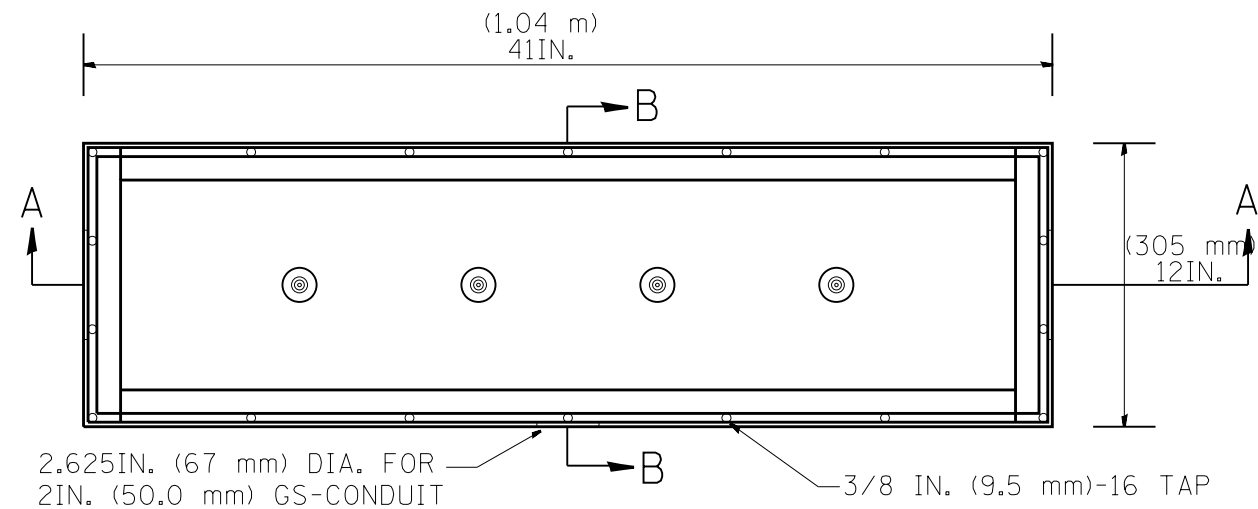


DRILL AND COUNTERSINK TOP OF COVER FOR
3/8" (9.5 mm) 16 X 3/4" (19 mm)
FLAT HEAD STAINLESS STEEL SLOTTED SCREWS

BACK VIEW

STAINLESS STEEL COVER WITH NEOPRENE GASKET

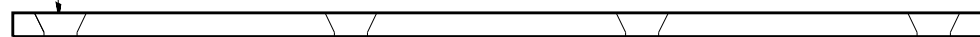


2.625 IN. (67 mm) DIA. FOR
2 IN. (50.0 mm) GS-CONDUIT

3/8 IN. (9.5 mm)-16 TAP

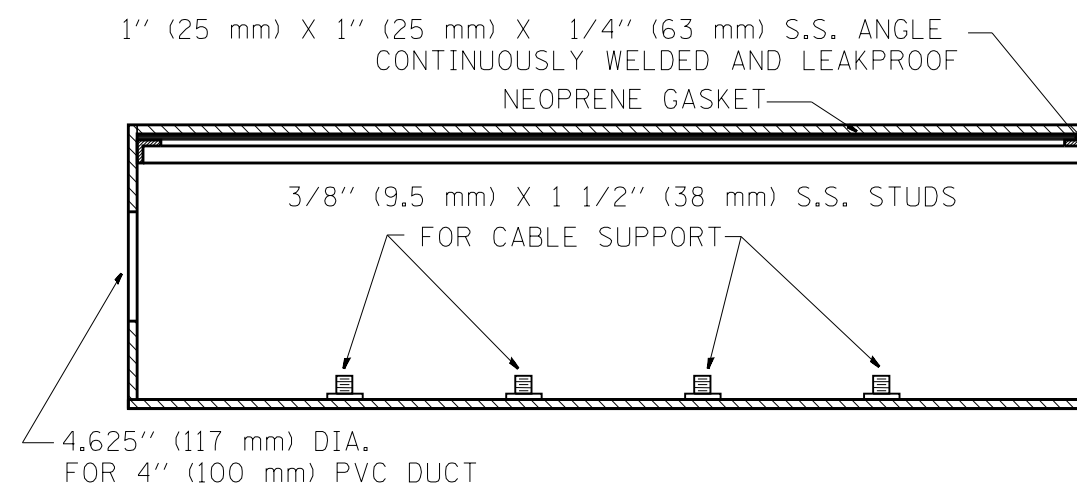
TOP VIEW

STAINLESS STEEL JUNCTION BOX TYPE "J"

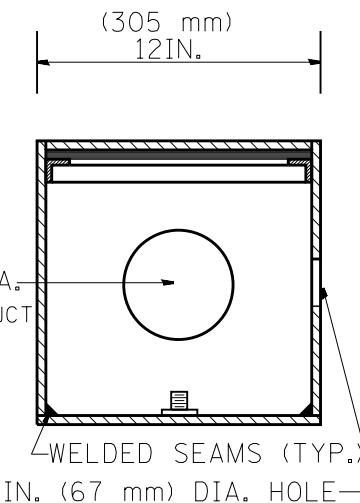


SIDE VIEW

STAINLESS STEEL COVER



SIDE VIEW SECTION A-A



SIDE VIEW SECTION B-B

NOTE:

JUNCTION BOX TO BE CONSTRUCTED OF
1/4 IN. (6.3 mm) TYPE 316 STAINLESS STEEL
ALL WELDS SHALL BE CONTINUOUS AND LEAKPROOF
ALL COVERS SHALL BE UNIVERSAL IN FIT.

BARRIER WALL SHALL BE GAPPED A MINIMUM OF 15FT. (4.57 m) FOR PROPER PLACEMENT OF JUNCTION BOX TYPE "J" AND FOR A SMOOTH TRANSITION OF 4IN. (100 mm) PVC SURVEILLANCE DUCT(S) FROM BARRIER WALL FOOTER INTO JUNCTION BOX.

FILE NAME =	USER NAME = mezag	DESIGNED - R.L.	REVISED - 06/94	STATE OF ILLINOIS DEPARTMENT OF TRANSPORTATION TRAFFIC SYSTEMS CENTER	CONCRETE BARRIER WALL JUNCTION BOX TYPE "J"			F.A. RTE.	SECTION	COUNTY	TOTAL SHEETS	SHEET NO.
et:\pw\work\p\idot\mezag\d0287541\TSCTYP.dgn	DRAWN - G.M.	REVISED - 10/96								747	633	
PLOT SCALE = 100.0000' / 1in.	CHECKED - R.L.	REVISED -								CONTRACT NO. 60W28		
PLOT DATE = 2/7/2013	DATE - 06/22/94	REVISED -						SCALE: NONE	SHEET NO.	OF SHEETS	STA. TO STA.	FED. ROAD DIST. NO.