

- 1. COVER SHEET
- 2. GENERAL NOTES
- 3. SUMMARY OF QUANTITIES
- 4 - 5. TYPICALS
- 6 - 7. SCHEDULES
- 8. LUMINAIRE PERFORMANCE TABLE
- 9 - 13. EXISTING PLAN DETAILS - FOR INFORMATION ONLY

HIGHWAY STANDARDS

- 000001-08 STANDARD SYMBOLS, ABBREVIATIONS AND PATTERNS
- 701001-02 OFF-ROAD OPERATIONS 2L, 2W, MORE THAN 15' AWAY
- 701006-05 OFF-ROAD OPERATIONS 2L, 2W, 15' TO 24" FROM PAVEMENT EDGE
- 701101-05 OFF-ROAD OPERATIONS, MULTILANE, 15' TO 24" FROM PAVEMENT EDGE
- 701106-02 OFF-ROAD OPERATIONS, MULTILANE, MORE THAN 15' AWAY
- 701201-05 LANE CLOSURE, 2L, 2W, DAY ONLY, FOR SPEEDS ≥ 45 MPH
- 701301-04 LANE CLOSURE, 2L, 2W, SHORT TIME OPERATIONS
- 701400-11 APPROACH TO LANE CLOSURE, FREEWAY/EXPRESSWAY
- 701406-13 LANE CLOSURE, FREEWAY/EXPRESSWAY, DAY OPERATIONS ONLY
- 701411-09 LANE CLOSURE, MULTILANE, AT ENTRANCE OR EXIT RAMP FOR SPEEDS ≥ 45 MPH
- 701426-09 LANE CLOSURE, MULTILANE INTERMITTENT OR MOVING OPERATION, FOR SPEEDS ≥ 45 MPH
- 701427-05 LANE CLOSURE, MULTILANE INTERMITTENT OR MOVING OPERATION, FOR SPEEDS ≤ 40 MPH
- 701428-01 TRAFFIC CONTROL, SETUP AND REMOVAL, FREEWAY/EXPRESSWAY
- 701456-05 PARTIAL EXIT RAMP CLOSURE FREEWAY/EXPRESSWAY
- 701601-09 URBAN LANE CLOSURE, MULTILANE, 1W OR 2W WITH NONTRAVERSABLE MEDIAN
- 701901-08 TRAFFIC CONTROL DEVICES
- 821101-02 LUMINAIRE WIRING IN POLE
- 830021-03 LIGHT POLE STEEL TENON TOP
- 836001-04 LIGHT POLE FOUNDATION
- 838001-01 BREAKAWAY DEVICES

STATE OF ILLINOIS
DEPARTMENT OF TRANSPORTATION

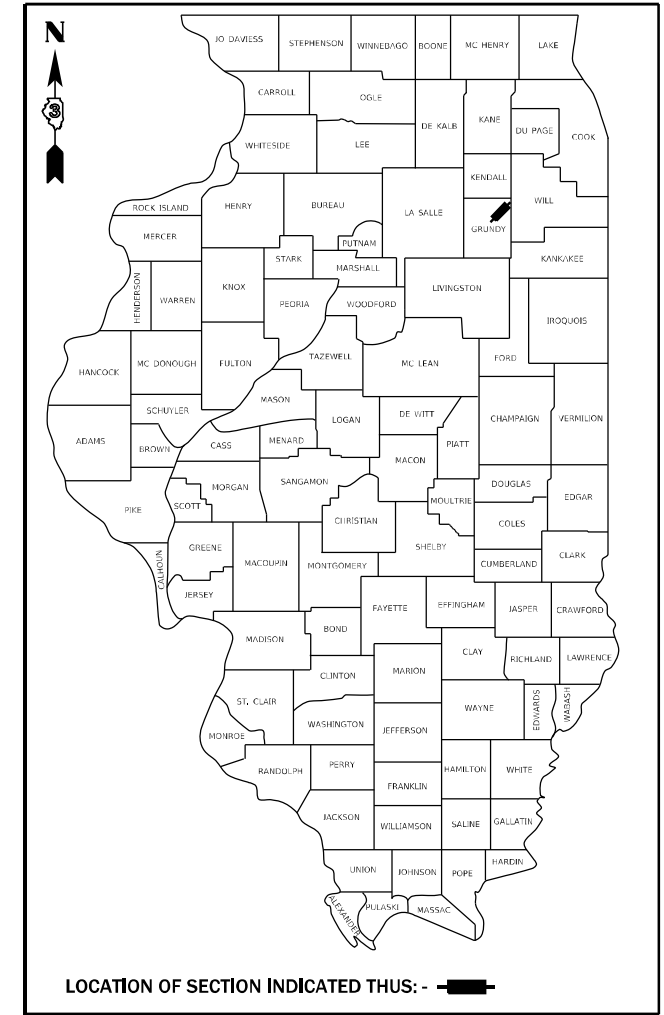
**PROPOSED
HIGHWAY PLANS**

**F.A.I. ROUTE 80 (I-80)
SECTION (32-3)HL
LIGHT POLE, LUMINAIRE AND
BREAKAWAY DEVICE REPLACEMENT
GRUNDY COUNTY**

C-93-077-22

F.A.I. RTE.	SECTION	COUNTY	TOTAL SHEETS	SHEET NO.
80	(32-3)HL	GRUNDY	13	1
		ILLINOIS	CONTRACT NO. 66M52	

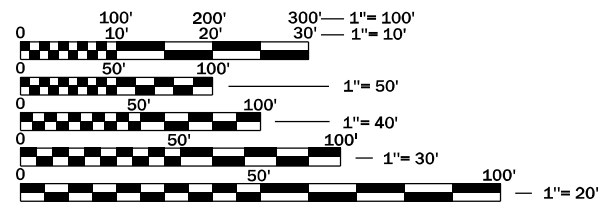
D-93-055-22



FUNCTIONAL CLASSIFICATION	FUNCTIONAL CLASSIFICATION
URBAN INTERSTATE	URBAN OTHER PRINCIPAL ARTERIAL
F.A.I. ROUTE 80 (I-80)	F.A.I. ROUTE 326 (IL 47)
2019 ADT = 40,500	2019 ADT = 15,600
P.V. 69.4 % S.U. 4.2 % M.U. 26.4 %	P.V. 66.4 % S.U. 13 % M.U. 20.5 %

PROJECT LOCATION

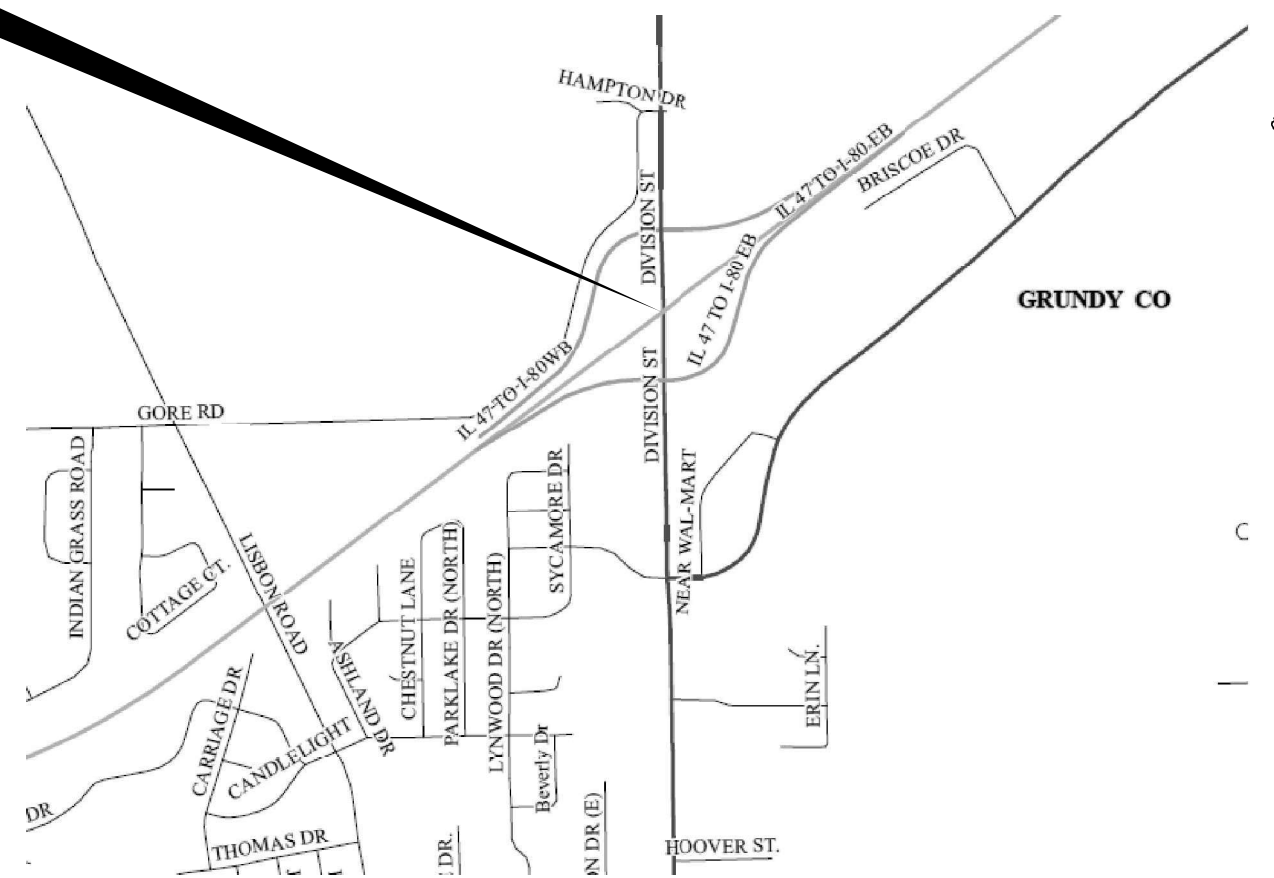
**INTERCHANGE F.A.I. ROUTE 80 (I-80)
AND IL ROUTE 47 IN MORRIS**



FULL SIZE PLANS HAVE BEEN PREPARED USING STANDARD ENGINEERING SCALES. REDUCED SIZED PLANS WILL NOT CONFORM TO STANDARD SCALES. IN MAKING MEASUREMENTS ON REDUCED PLANS, THE ABOVE SCALES MAY BE USED.

J.U.L.I.E.
JOINT UTILITY LOCATION INFORMATION FOR EXCAVATION
1-800-892-0123
OR 811

PROJECT ENGINEER: YOGESH PATEL P.E.
UNIT CHIEF: RON WOODSHANK
DISTRICT 3 NO. (815) 434-6131
CONTRACT NO. 66M52



STATE OF ILLINOIS
DEPARTMENT OF TRANSPORTATION

SUBMITTED April 28, 2022

[Signature]
REGIONAL ENGINEER

June 10, 2022 *[Signature]*
ENGINEER OF DESIGN AND ENVIRONMENT

June 10, 2022 *[Signature]*
DIRECTOR OF HIGHWAYS PROJECT IMPLEMENTATION

**PRINTED BY THE AUTHORITY
OF THE STATE OF ILLINOIS**

GENERAL NOTES

PLAN DIMENSIONS AND DETAILS RELATIVE TO EXISTING PLANS ARE SUBJECT TO NOMINAL CONSTRUCTION VARIATIONS. THE CONTRACTOR SHALL FIELD VERIFY EXISTING DIMENSIONS AND DETAILS AFFECTING NEW CONSTRUCTION AND MAKE NECESSARY APPROVED ADJUSTMENTS PRIOR TO CONSTRUCTION OR ORDERING OF MATERIALS. SUCH VARIATIONS SHALL NOT BE CAUSE FOR ADDITIONAL COMPENSATION FOR A CHANGE IN SCOPE OF WORK; HOWEVER, THE CONTRACTOR WILL BE PAID FOR THE QUANTITY ACTUALLY FURNISHED AT THE UNIT PRICE BID FOR THE WORK.

ALL EXCAVATED MATERIAL, WHICH INCLUDES DIGGING OR GRADING OF ANY SOIL OR FILL MATERIAL, WITH THE EXCEPTION OF AGGREGATE FILLS, MUST BE INCORPORATED WITHIN THE IDOT RIGHT OF WAY.

THE CONTRACTOR SHALL BE RESPONSIBLE FOR PROTECTING UTILITY PROPERTY DURING CONSTRUCTION OPERATIONS AS OUTLINED IN ARTICLE 107.31 OF THE STANDARD SPECIFICATIONS. A MINIMUM OF 48 HOURS ADVANCE NOTICE IS REQUIRED FOR NON-EMERGENCY WORK. THE JULIE NUMBER IS 800-892-0123.

ALL TRAFFIC CONTROL AND OTHER ADVISORY SIGNS NEEDED FOR CONSTRUCTION ARE TO BE FURNISHED BY THE CONTRACTOR IN ACCORDANCE WITH SECTION 701 OF THE STANDARD SPECIFICATIONS.

THE CONTRACTOR'S ATTENTION IS DIRECTED TO THE PRESENCE OF DEPARTMENT-OWNED UNDERGROUND ELECTRICAL CABLE WITHIN THE LIMITS OF THE PROPOSED IMPROVEMENT. THE CONTRACTOR SHALL REQUEST THE ILLINOIS DEPARTMENT OF TRANSPORTATION IN OTTAWA (815-434-8417) TO LOCATE THE UNDERGROUND FACILITIES, PROVIDING A MINIMUM OF 72 HOURS NOTICE. THE DEPARTMENT IS NOT A MEMBER OF THE JOINT UTILITY LOCATING INFORMATION FOR EXCAVATORS (JULIE) SYSTEM.

ALL DAMAGE TO DEPARTMENT OWNED UNDERGROUND FACILITIES, CAUSED BY THE CONTRACTOR SHALL BE REPAIRED TO THE SATISFACTION OF THE ENGINEER AND AT NO EXPENSE TO THE DEPARTMENT. THIS SHALL INCLUDE ALL TEMPORARY REPAIRS REQUIRED TO KEEP THE FACILITY OPERATIONAL WHILE MATERIAL IS BEING OBTAINED TO MAKE PERMANENT REPAIRS. SPLICING OF ELECTRIC CABLE WILL NOT BE ALLOWED. ELECTRIC CABLE SHALL BE REPLACED FROM POLE TO POLE OR CONTROLLER.

COMMITMENTS

STATE OF ILLINOIS
DEPARTMENT OF TRANSPORTATION
DISTRICT THREE
AS BUILT INFORMATION

SUPERVISING CONSTRUCTION FIELD ENGINEER

RESIDENT ENGINEER / TECHNICIAN

START & END DATES
OF CONSTRUCTION:

INSPECTORS:

STATE OF ILLINOIS
DEPARTMENT OF TRANSPORTATION
DISTRICT THREE

PREPARED BY: _____
DISTRICT STUDIES & PLANS ENGINEER

DATE: _____

EXAMINED BY: _____
DISTRICT CONSTRUCTION ENGINEER

DISTRICT MATERIALS ENGINEER

DISTRICT OPERATIONS ENGINEER

MODEL: Default
FILE NAME: p:\build\paw-bee\paw.com\FWIDOT\Documents\IDOT Office\DistDir\3\Project\ID366M52\CADD\DATA\ID366M52-PLANS.dgn

USER NAME = woodshank	DESIGNED - RW	REVISED -
	DRAWN - RW	REVISED -
PLOT SCALE = 100,0000' / in.	CHECKED - YP	REVISED -
PLOT DATE = 4/27/2022	DATE - 2/10/2022	REVISED -

**STATE OF ILLINOIS
DEPARTMENT OF TRANSPORTATION**

GENERAL NOTES

SCALE: SHEET 1 OF 1 SHEETS STA. TO STA.

F.A.I. RTE.	SECTION	COUNTY	TOTAL SHEETS	SHEET NO.
80	(32-3)HL	GRUNDY	13	2
CONTRACT NO. 66M52				
ILLINOIS			FED. AID PROJECT	

CODE NO.	ITEM	UNIT	TOTAL QUANTITY	CONSTRUCTION CODE	
				CONTRACT MAINTENANCE 100% STATE HIGHWAY LIGHTING 0021 URBAN	
67100100	MOBILIZATION	L SUM	1	1	
70107025	CHANGEABLE MESSAGE SIGN	CAL DA	28	28	
81702415	ELECTRIC CABLE IN CONDUIT, 600V (XLP-TYPE USE) 3-1/C NO. 6	FOOT	3270	3270	
82110008	LUMINAIRE, LED, ROADWAY, OUTPUT DESIGNATION H	EACH	4	4	
83060840	LIGHT POLE, GALVANIZED STEEL, 50 FT. M.H., TENON MOUNT	EACH	4	4	
83800650	BREAKAWAY DEVICE, COUPLING WITH STAINLESS STEEL SCREEN	EACH	288	288	
89502300	REMOVE ELECTRIC CABLE FROM CONDUIT	FOOT	3270	3270	
X0323927	MAINTENANCE OF LIGHTING SYSTEM	EACH	1	1	
X0324599	ROD AND CLEAN EXISTING CONDUIT	FOOT	3270	3270	
X8210402	LUMINAIRE MOUNTING BRACKET - SPECIAL	EACH	4	4	

MODEL: Default
 FILE NAME: p:\u0000\paw_bentley.com\P\I\DOT\Documents\DOT Office\Dir\dir: 3\Project\0366M52\CAD\Draw: 0366M52-PLANS.dgn

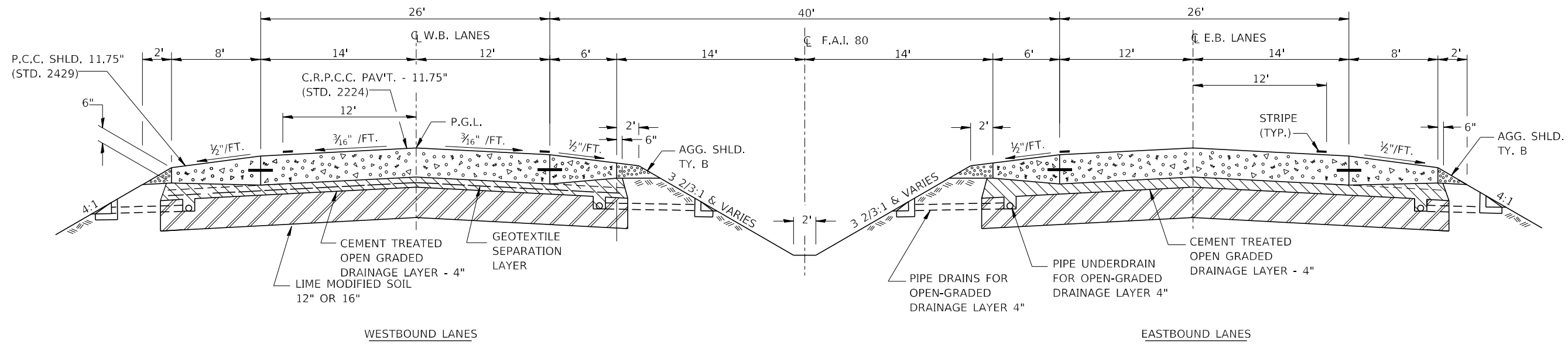
USER NAME = woodshank	DESIGNED - RW	REVISED -
	DRAWN - RW	REVISED -
PLOT SCALE = 100,0000 ' / in.	CHECKED - YP	REVISED -
PLOT DATE = 4/28/2022	DATE - 2/10/2022	REVISED -

**STATE OF ILLINOIS
DEPARTMENT OF TRANSPORTATION**

SUMMARY OF QUANTITIES

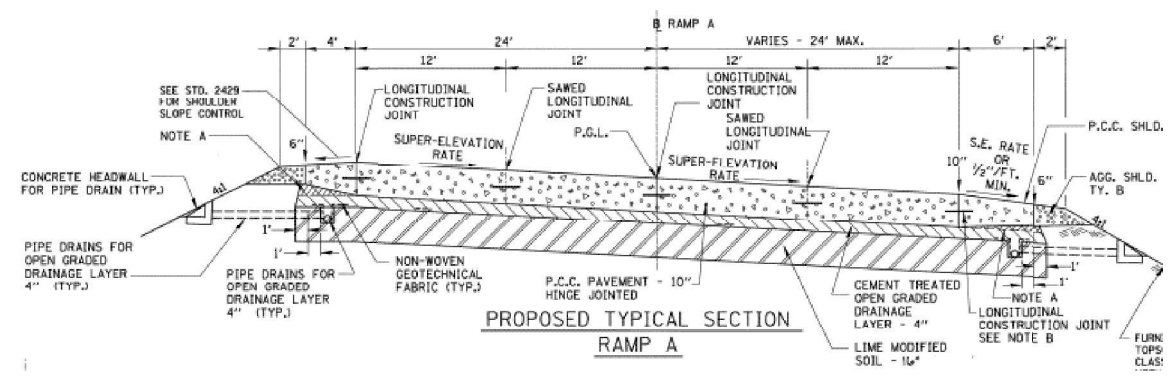
SCALE: SHEET 1 OF 1 SHEETS STA. TO STA.

F.A.I. RTE.	SECTION	COUNTY	TOTAL SHEETS	SHEET NO.
80	(32-3)HL	GRUNDY	13	3
CONTRACT NO. 66M52				
ILLINOIS FED. AID PROJECT				

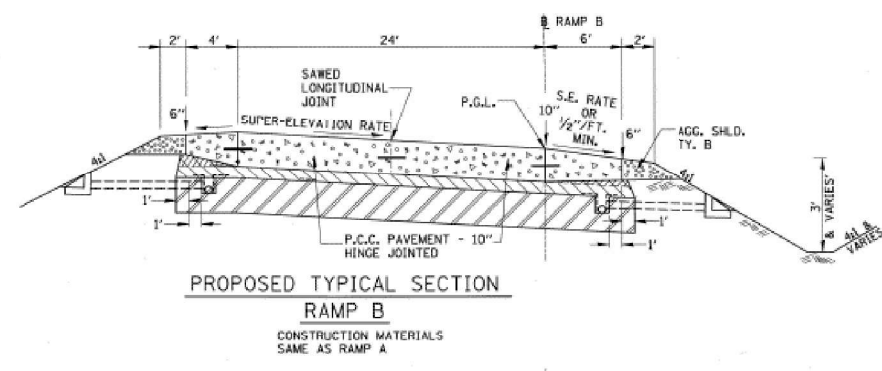


WESTBOUND LANES

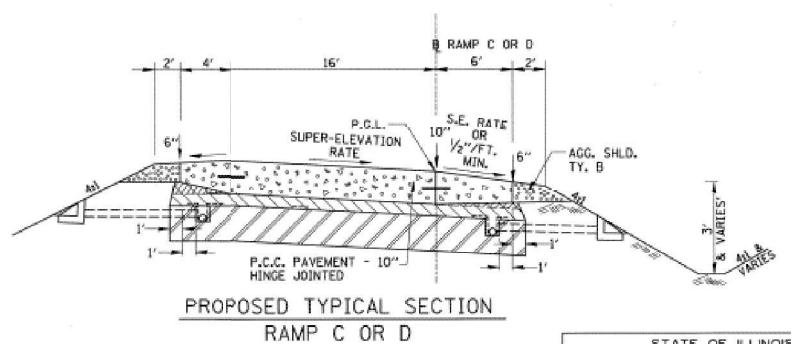
EASTBOUND LANES



PROPOSED TYPICAL SECTION RAMP A



PROPOSED TYPICAL SECTION RAMP B



PROPOSED TYPICAL SECTION RAMP C OR D

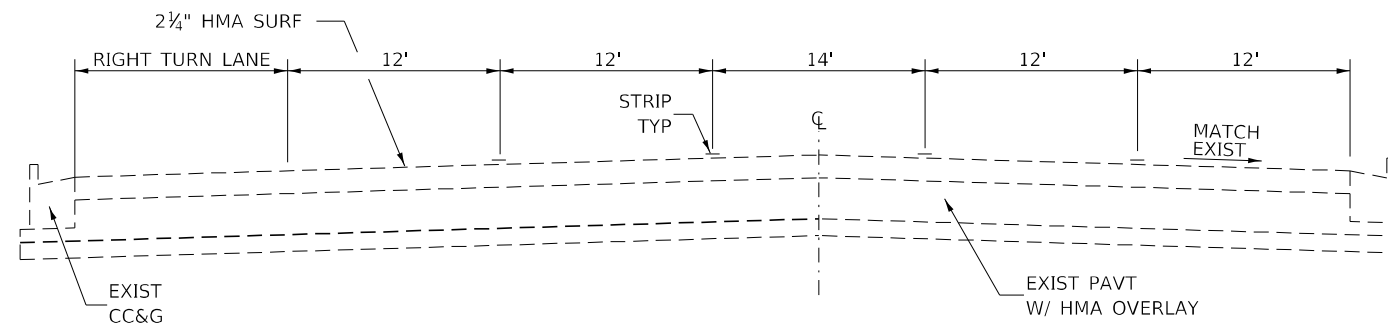
MODEL: Default
 FILE NAME: p:\project-paw-bead\paw.com\p\w\dot\Documents\DOT Office\Drawings\Project\3666453\CADD\Drawings\3666453-2-PAAS.dgn
 PROJECT: 3666453

USER NAME = woodshank1	DESIGNED - RW	REVISED -
DRAWN - RW	CHECKED - YP	REVISED -
PLOT SCALE = 100,0000' / in.	DATE - 2/10/2022	REVISED -
PLOT DATE = 4/27/2022		

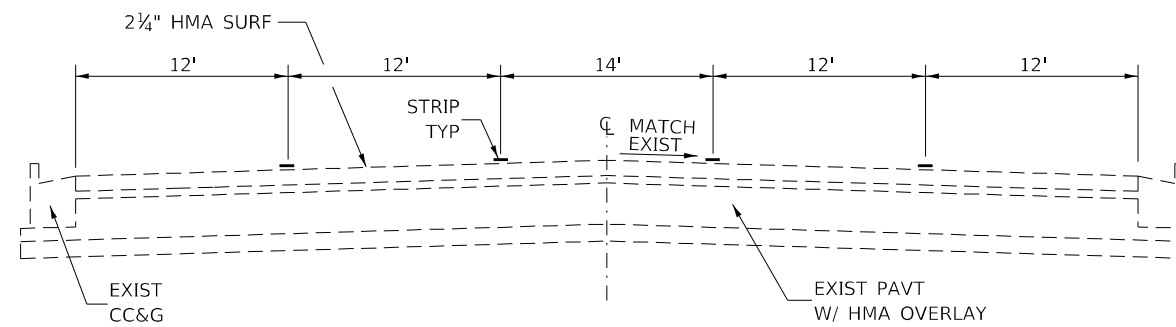
**STATE OF ILLINOIS
DEPARTMENT OF TRANSPORTATION**

TYPICAL SECTIONS F.A.I. ROUTE 80 (I-80)		F.A.I. RTE.	SECTION	COUNTY	TOTAL SHEETS	SHEET NO.
		80	(32-3)HL	GRUNDY	13	4
SCALE:		SHEET 1 OF 1 SHEETS		STA.	TO STA.	

CONTRACT NO. 66M52	
ILLINOIS	FED. AID PROJECT



TYPICAL SECTION
STA 65+00 TO STA 71+09



TYPICAL SECTION
STA 61+91 TO STA 65+00
STA 71+09 TO STA 97+26

MODEL: Default
 FILE: \\nafe-pw-bentley.com\PW\DOT\Documents\DOT Office\Dir\dir: 3\Project\0366M52\CADD\0366M52-PLANS.dgn

USER NAME = woodshank	DESIGNED - RW	REVISED -
	DRAWN - RW	REVISED -
PLOT SCALE = 100,0000' / in.	CHECKED - YP	REVISED -
PLOT DATE = 4/27/2022	DATE - 2/10/2022	REVISED -

**STATE OF ILLINOIS
DEPARTMENT OF TRANSPORTATION**

**TYPICAL SECTIONS
IL ROUTE 47**

SCALE: SHEET 1 OF 1 SHEETS STA. TO STA.

F.A.I. RTE.	SECTION	COUNTY	TOTAL SHEETS	SHEET NO.
80	(32-3)HL	GRUNDY	13	5
CONTRACT NO. 66M52				
ILLINOIS FED. AID PROJECT				

SCHEDULE

LOCATION		LUMINAIRE , LED, ROADWAY , OUTPUT DESIGNATION H	LIGHT POLE GALVANIZED STEEL , 50 FT, M.H. TENON MOUNT	BREAKWAY DEVICE , COUPLING WITH STAINLESS STEEL SCREEN	LUMINAIRE MOUNTING BRACKET SPECIAL
TENON MOUNT	TWIN TENON MOUNT	EACH	EACH	EACH	EACH
POLE	NO.				
1				4	
2				4	
	3/4			4	
5				4	
6				4	
7				4	
8				4	
9				4	
10				4	
11				4	
12				4	
13				4	
19				4	
20				4	
21				4	
22				4	
32				4	
33				4	
34				4	
35				4	
36				4	
37				4	
38				4	
43				4	
44				4	
	45/46			4	
47				4	
48				4	
	49/50			4	
51				4	
52				4	
53				4	
54				4	
56				4	
57				4	
58				4	
59				4	
60				4	
64				4	
	65/66			4	
SUBTOTALS		0	0	160	0

SCHEDULE CON'T

LOCATION		LUMINAIRE , LED, ROADWAY , OUTPUT DESIGNATION H	LIGHT POLE GALVANIZED STEEL , 50 FT, M.H. TENON MOUNT	BREAKWAY DEVICE , COUPLING WITH STAINLESS STEEL SCREEN	LUMINAIRE MOUNTING BRACKET SPECIAL
TENON MOUNT	TWIN TENON MOUNT	EACH	EACH	EACH	EACH
POLE	NO.				
67				4	
68				4	
69				4	
70				4	
71				4	
72				4	
75		1	1	4	1
76		1	1	4	1
77				4	
78				4	
79				4	
80				4	
81				4	
82				4	
83				4	
84				4	
85				4	
86				4	
87				4	
88				4	
89				4	
90				4	
91				4	
92				4	
93				4	
94				4	
96				4	
97				4	
98				4	
99		1	1	4	1
100				4	
101		1	1	4	1
SUBTOTALS		4	4	128	4
TOTALS		4	4	288	4

MODEL: Default
 FILE: \\nafe-pw-beadley.com\PI\DOT\Documents\DOT Office\Dir\dir: 3\Project\0366M52\CADD\0366M52-PLAN.dgn

USER NAME = woodshank	DESIGNED - RW	REVISED -
	DRAWN - RW	REVISED -
PLOT SCALE = 100,0000' / in.	CHECKED - YP	REVISED -
PLOT DATE = 4/27/2022	DATE - 2/10/2022	REVISED -

STATE OF ILLINOIS
DEPARTMENT OF TRANSPORTATION

SCHEDULES SCALE:		SHEET 1 OF 2 SHEETS		STA.	TO STA.

F.A.I. RTE.	SECTION	COUNTY	TOTAL SHEETS	SHEET NO.
80	(32-3)HL	GRUNDY	13	6
CONTRACT NO. 66M52				
ILLINOIS FED. AID PROJECT				

SCHEDULE - CABLE

LOCATION			REMOVE ELECTRIC CABLE FROM CONDUIT	ROD AND CLEAN EXISTING CONDUIT	CABLE IN CONDUIT 600V (XLP-TYP USE) 3 - 1 / C NO. 6
			FOOT	FOOT	FOOT
LIGHTING CONTROLLER	TO	LIGHT POLE 75	1990	1990	1990
LIGHT POLE 75	TO	LIGHT POLE 76	220	220	220
LIGHT POLE 76	TO	LIGHT POLE 77	220	220	220
LIGHT POLE 98	TO	LIGHT POLE 99	280	280	280
LIGHT POLE 99	TO	LIGHT POLE 100	280	280	280
LIGHT POLE 100	TO	LIGHT POLE 101	280	280	280
TOTALS			3270	3270	3270

MODEL: Default
 FILE NAME: p:\ulsect-pw-beadley.com\PIV\DOT\Documents\DOT Office\Dir\dir: 3\Project\0366M52\CAD\Date: 0366M52-PLANS.dgn

USER NAME = woodshank	DESIGNED - RW	REVISED -	STATE OF ILLINOIS DEPARTMENT OF TRANSPORTATION	SCHEDULES		F.A.I. RTE.	SECTION	COUNTY	TOTAL SHEETS	SHEET NO.
PLOT SCALE = 100,0000' / in.	DRAWN - RW	REVISED -				80	(32-3)HL	GRUNDY	13	7
PLOT DATE = 4/27/2022	CHECKED - YP	REVISED -		SCALE: SHEET 2 OF 2 SHEETS STA. TO STA.		CONTRACT NO. 66M52				
DATE - 2/10/2022	DATE - 2/10/2022	REVISED -		ILLINOIS FED. AID PROJECT						

LUMINAIRE PERFORMANCE TABLE

PROJECT			
DATE	CONTRACT NUMBER	SECTION NUMBER	COUNTY
2/16/22	66M52	(32-2)HL	GRUNDY

MARKED ROUTE NUMBER	MUNICIPALITY
I-80 AT IL RT 47	MORRIS

ROADWAY				
LANE WIDTH	#OF LANES	MEDIAN WIDTH	I.E.S SURFACE CLASSIFICATION	Q-ZERO VALUE
12	2	N/A	R3	0.07

Structure			
MOUNTING HEIGHT	ARM LENGTH	SET BACK	NUMBER OF LUMINAIRES (HIGHMAST & SIGN LIGHTING ONLY)
45 FT	1 FT	30 FT	N/A

LUMINAIRE			
DESCRIPTION	I.E.S. LATERAL DISTRIBUTION	I.E.S. VERTICAL DISTRIBUTION	
ROADWAY, OUTPUT DESIGNATION H	TYPE III	MEDIUM	
TOTAL LIGHT LOSS FACTOR (LLF)	BUG RATING	SHIELDS	DIMMING PROTOCOL
0.7	U = 0	N/A	0-10V

LAYOUT	
SPACING (TO NEAREST 5 FT)	CONFIGURATION (OPPOSITE, STAGGERED, 1 SIDED, OR MEDIAN)
180 ft	OPPOSITE

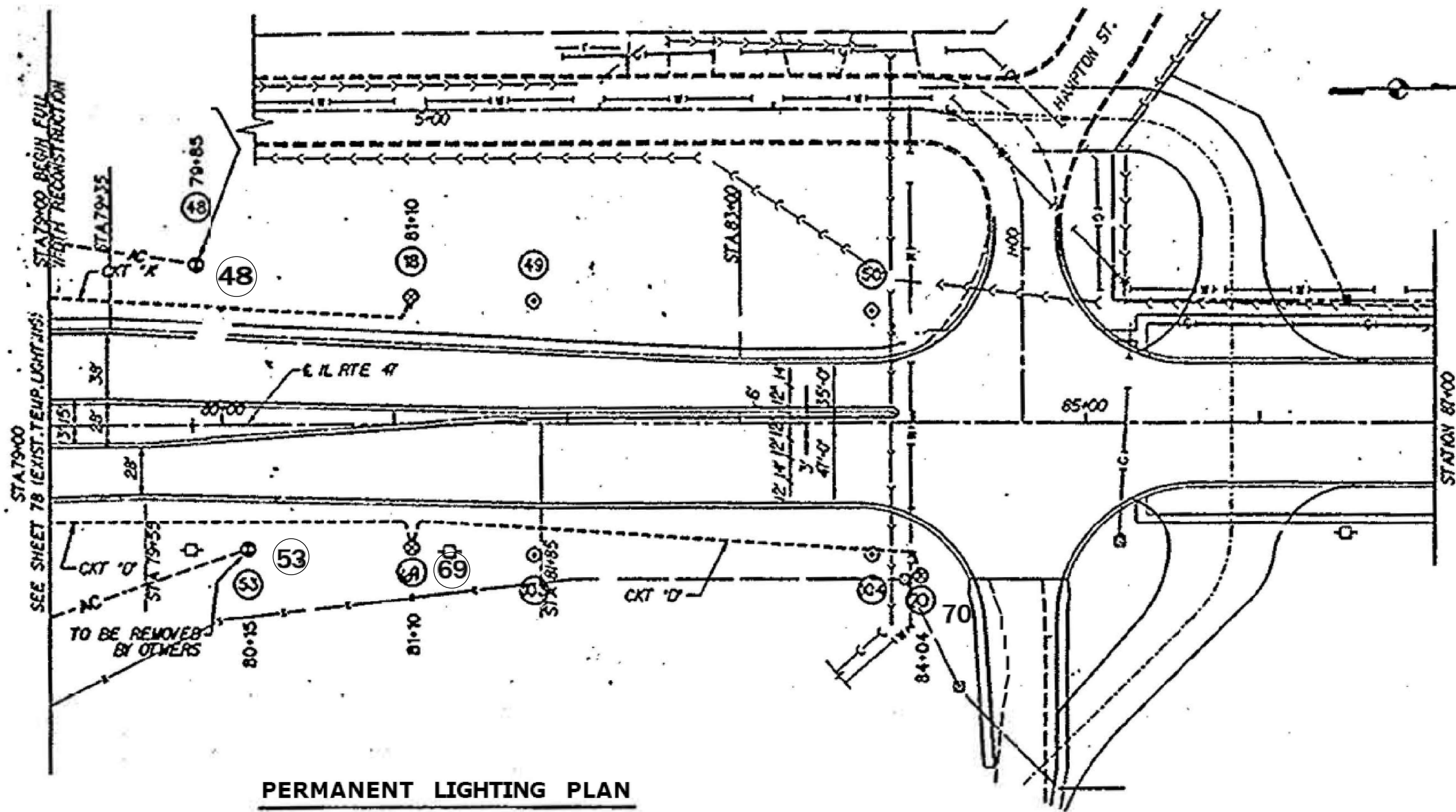
PERFORMANCE			
AVERAGE ILLUMINANCE, E_{AVE} (FC)	UNIFORMITY RATIO, E_{AVE}/E_{MIN}		
GREATER THAN OR EQUAL TO 0.8	LESS THAN OR EQUAL TO 3.0:1		
AVERAGE LUMINANCE, L_{AVE} (CD/M ²)	UNIFORMITY RATIO, L_{AVE}/L_{MIN}	UNIFORMITY RATIO, L_{MAX}/L_{MIN}	VEILING LUMINANCE RATIO, L_V/L_{MIN}
GREATER THAN OR EQUAL TO 0.6	LESS THAN OR EQUAL TO 3.5:1	LESS THAN OR EQUAL TO 6.0:1	LESS THAN OR EQUAL TO 0.3:1

LIGHT TRESSPASS		
DISTANCE TO ROW (BEHIND POLE)	MAX. HORIZONTAL ILLUMINANCE AT ROW, E	MAX. VERTICAL ILLUMINANCE AT ROW, E_v
N/A	N/A	N/A

- NOTES
1. SET BACK IS FROM EDGE OF PAVEMENT (WHITE LINE) EXCEPT FOR SIGN LUMINAIRES WHEN IT IS VERTICAL AND HORIZONTAL DISTANCE FROM THE SIGN TO THE LUMINAIRE.
 2. LIGHTING CALCULATIONS SHALL BE PERFORMED WITH ALL LUMINAIRES ORIENTED TOWARD AND PERPENDICULAR TO ROADWAY.
 3. TOTAL LIGHT LOSS FACTOR (LLF) = THE PRODUCT OF "LUMEN MAINTENANCE" (LLD) = 0.9, "DIRT DEPRECIATION" (LDD) = 0.8, AND "EQUIPMENT FACTORS" (EF) = 0.95.
 4. PERFORMANCE REQUIREMENTS SHALL BE THE MINIMUM ACCEPTABLE STANDARDS OF PHOTOMETRIC PERFORMANCE FOR THE LUMINAIRE, BASED ON THE GIVEN CONDITIONS ABOVE.
 5. PHOTOMETRIC CALCULATIONS SHALL BE PERFORMED WITH THREE LANES IN EACH DIRECTION.
 6. COMPLIANCE WITH PERFORMANCE CRITERIA SHALL BE HELD TO ONE SIGNIFICANT DIGIT.
 7. INITIAL LUMENS OF THE PROPOSED LUMINAIRE MAY VARY FROM THE VALUES SPECIFIED IN THE TABLE GIVEN IN ARTICLE 1067.06 OF THE BDE SPECIAL PROVISION FOR LUMINAIRE, LED.

MODEL: Default
 FILE: lumperfaw_beaufay.com\FW\DOT\Documents\DOT Office\Dir\drf_3\Project\66M52\CADD\Draws\66M52-PLANS.dgn

USER NAME = woodshank	DESIGNED - RW	REVISED -	STATE OF ILLINOIS DEPARTMENT OF TRANSPORTATION	LUMINAIRE PERFORMANCE TABLE		F.A.I. RTE.	SECTION	COUNTY	TOTAL SHEETS	SHEET NO.
	DRAWN - RW	REVISED -				80	(32-3)HL	GRUNDY	13	8
PLOT SCALE = 100,0000' / in.	CHECKED - YP	REVISED -		SCALE:		SHEET 1 OF 1 SHEETS	STA.	TO STA.	CONTRACT NO. 66M52	
PLOT DATE = 4/27/2022	DATE - 2/10/2022	REVISED -		ILLINOIS FED. AID PROJECT						



PERMANENT LIGHTING PLAN
STA. 79.00 TO STA. 87.00

- LEGEND**
- BREAKWAY DEVICE, COUPLING
 - LUMINAIRE/LIGHTPOLE
 - REMOVAL/REPLACEMENT ELECTRIC CABLE ROD & CLEAN EXISTING CONDUIT

"FOR INFORMATION ONLY"

USER NAME = woodshank1	DESIGNED - RW	REVISED -
	DRAWN - RW	REVISED -
PLOT SCALE = 100,0000' / in.	CHECKED - YP	REVISED -
PLOT DATE = 4/27/2022	DATE - 2/10/2022	REVISED -

STATE OF ILLINOIS
DEPARTMENT OF TRANSPORTATION

EXISTING LIGHTING PLANS FOR INFORMATION ONLY	
SCALE:	SHEET 1 OF 9 SHEETS STA. TO STA.

F.A.I. RTE.	SECTION	COUNTY	TOTAL SHEETS	SHEET NO.
80	(32-3)HL	GRUNDY	13	9
CONTRACT NO. 66M52				
ILLINOIS FED. AID PROJECT				

MODEL: Default
 FILE NAME: p:\subject-pw\beefw.com\PIV\DOT\Documents\DOT Office\Dir\drct_3\Project\66M52\CADD\DATA\0366M52-PLANS.dgn

SECTION	COUNTY	TOTAL SHEETS	SHEET NO.
80	GRUNDY	145	67
FED. AID PROJ. NO. 7			
FED. AID PROJECT			
4 (32-3)HR-13			

WIRE SIZE TABLE

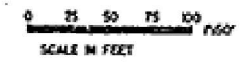
CKT	WIRE SIZE
A	#10
B	#8
C	#6
D	#8
E	#6
F	#6

*USE No. 4 WIRE TO FIRST POLE ON CKT.

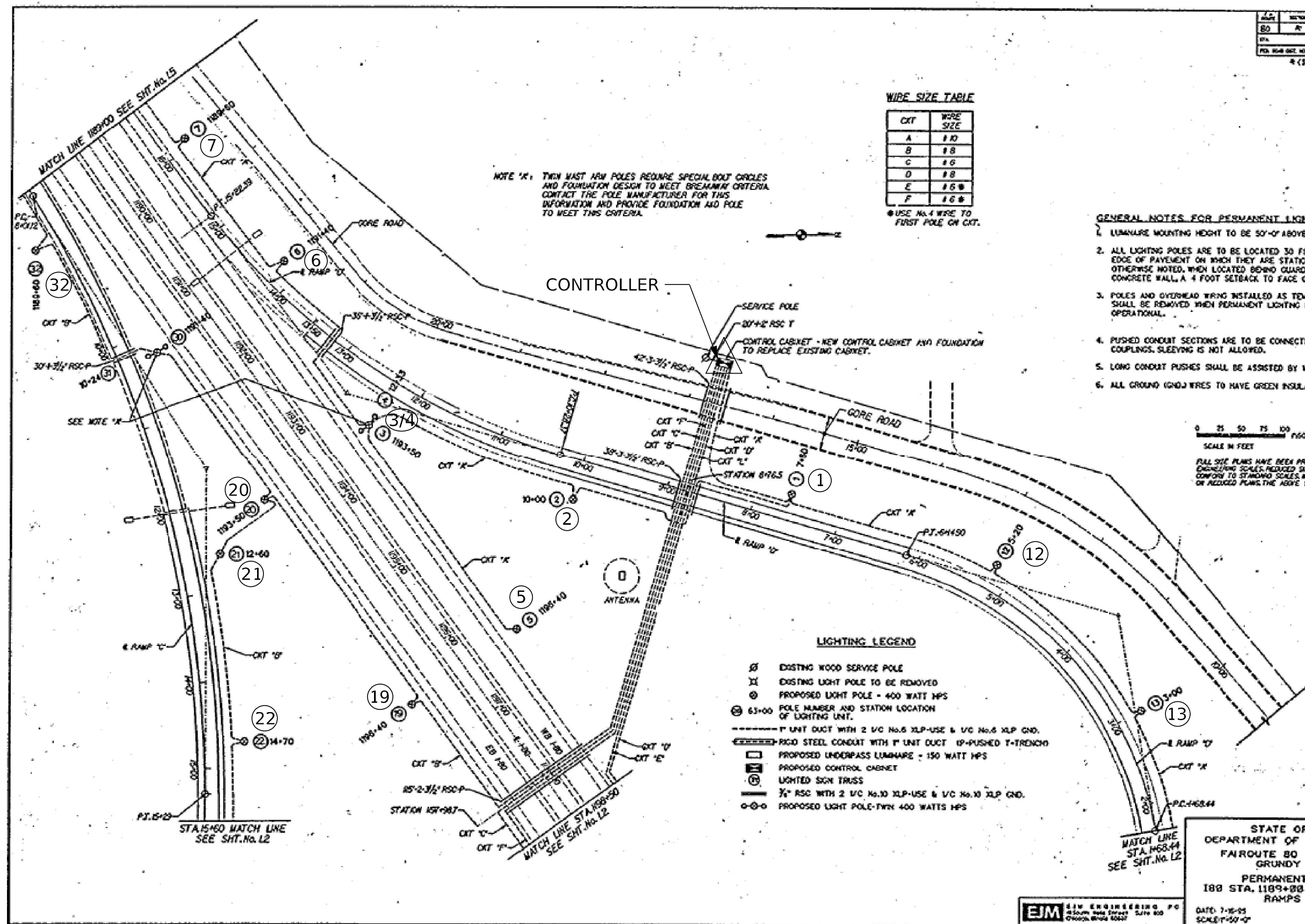
NOTE 'K': TWIN WAST ARM POLES REQUIRE SPECIAL BOLT CIRCLES AND FOUNDATION DESIGN TO MEET BREAKWAY CRITERIA. CONTACT THE POLE MANUFACTURER FOR THIS INFORMATION AND PROVIDE FOUNDATION AND POLE TO MEET THIS CRITERIA.

GENERAL NOTES FOR PERMANENT LIGHTING

- LUMINAIRE MOUNTING HEIGHT TO BE 50'-0" ABOVE GRADE.
- ALL LIGHTING POLES ARE TO BE LOCATED 30 FEET FROM EDGE OF PAYEMENT ON WHICH THEY ARE STATIONED, UNLESS OTHERWISE NOTED, WHEN LOCATED BEHIND GUARD RAIL OR CONCRETE WALL, A 4 FOOT SETBACK TO FACE OF POLE IS REQUIRED.
- POLES AND OVERHEAD WIRING INSTALLED AS TEMPORARY LIGHTING SHALL BE REMOVED WHEN PERMANENT LIGHTING IS COMPLETED AND OPERATIONAL.
- PUSHED CONDUIT SECTIONS ARE TO BE CONNECTED BY THREADED COUPLINGS. SLEEVING IS NOT ALLOWED.
- LONG CONDUIT PUSHES SHALL BE ASSISTED BY MICRO-TUNNELING.
- ALL GROUND (GND) WIRES TO HAVE GREEN INSULATION.



FULL SIZE PLANS HAVE BEEN PREPARED USING STANDARD ENGINEERING SCALES. REDUCED SIZED PLANS WILL NOT CONFORM TO STANDARD SCALES. IN MAKING READINGS OF REDUCED PLANS THE ABOVE SCALE MAY BE USED.



LIGHTING LEGEND

- ⊗ EXISTING WOOD SERVICE POLE
- ⊗ EXISTING LIGHT POLE TO BE REMOVED
- ⊗ PROPOSED LIGHT POLE - 400 WATT MFS
- ⊗ 63+00 POLE NUMBER AND STATION LOCATION OF LIGHTING UNIT.
- 1" UNIT DUCT WITH 2 1/2" No. 6 XLP-USE & 1/2" No. 6 XLP GND.
- RIGID STEEL CONDUIT WITH 1" UNIT DUCT (PUSHED T-TRENCH)
- PROPOSED UNDERPASS LUMINAIRE - 150 WATT MFS
- PROPOSED CONTROL CABINET
- ⊗ LIGHTED SIGN TRUSS
- 3/4" RSC WITH 2 1/2" No. 10 XLP-USE & 1/2" No. 10 XLP GND.
- ⊗ PROPOSED LIGHT POLE-TWIN 400 WATT MFS

LEGEND

- BREAKWAY DEVICE, COUPLING
- LUMINAIRE/LIGHTPOLE
- △ REMOVAL/REPLACEMENT ELECTRIC CABLE ROD & CLEAN EXISTING CONDUIT

"FOR INFORMATION ONLY"

USER NAME = woodshank1	DESIGNED - RW	REVISED -
PLOT SCALE = 100,000' / in.	DRAWN - RW	REVISED -
PLOT DATE = 4/27/2022	CHECKED - YP	REVISED -
	DATE - 2/10/2022	REVISED -

STATE OF ILLINOIS
DEPARTMENT OF TRANSPORTATION

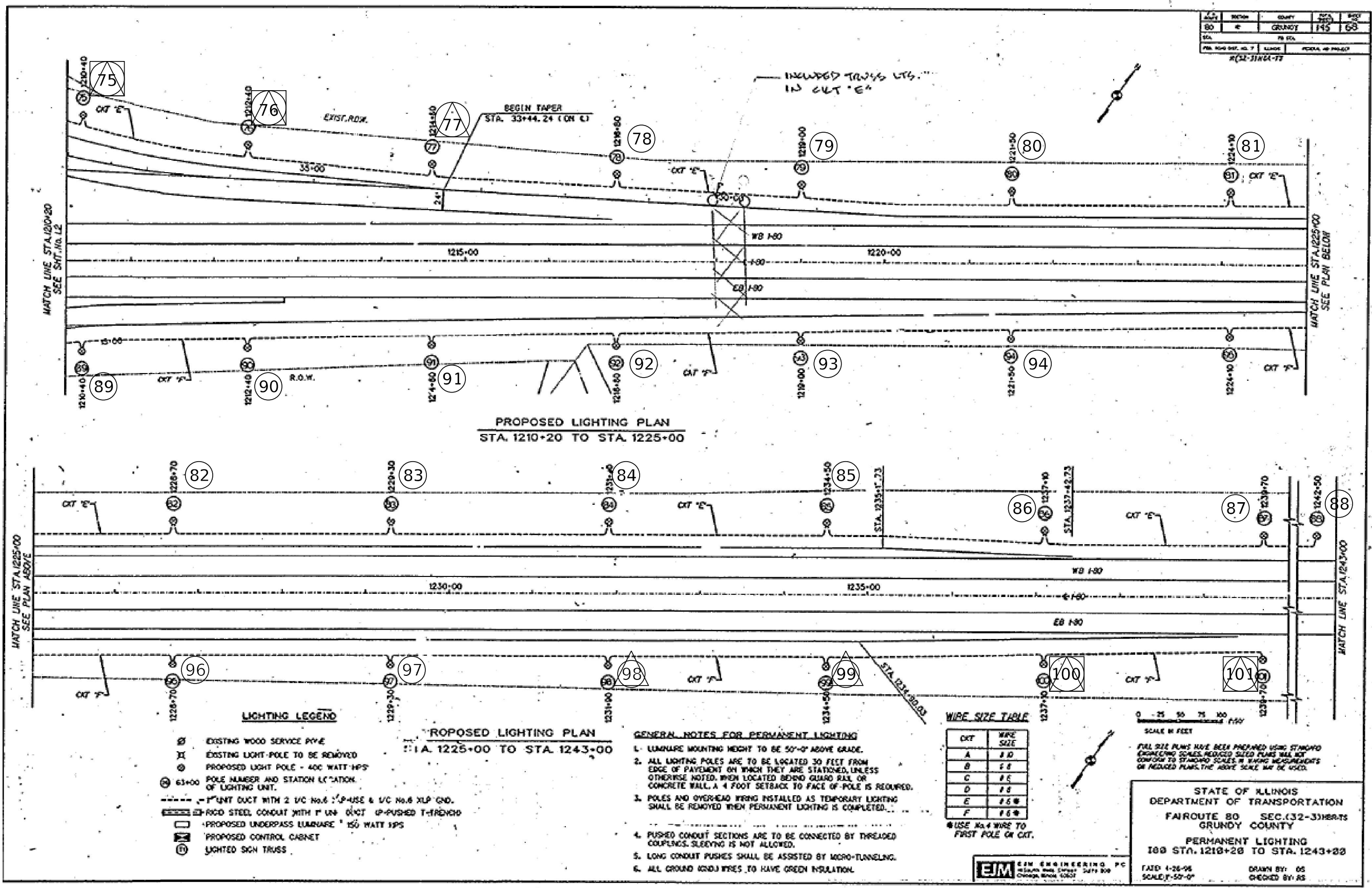
EXISTING LIGHTING PLANS
FOR INFORMATION ONLY

SCALE: SHEET 3 OF 9 SHEETS STA. TO STA.

F.A.I. RTE.	SECTION	COUNTY	TOTAL SHEETS	SHEET NO.
80	(32-3)HL	GRUNDY	13	11
CONTRACT NO. 66M52				
ILLINOIS FED. AID PROJECT				

MODEL: Default
 FILE NAME: p:\project\paw_beaufay.com\PROJECT\Documents\1\DOT Office\Drawings\3\Project\1\3266M52\CADD\32-3)HR-13\3266M52-2)ANS.dgn
 PLOT DATE: 4/27/2022

DATE	SECTION	COUNTY	TOTAL SHEETS	SHEET NO.
80	8	GRUNDY	145	68
SCALE: 1" = 50'-0"				
PROJECT NO. 66M52-2P ANS.dgn				



LEGEND

○ BREAKWAY DEVICE, COUPLING □ LUMINAIRE/LIGHTPOLE △ REMOVAL/REPLACEMENT ELECTRIC CABLE ROD & CLEAN EXISTING CONDUIT

"FOR INFORMATION ONLY"

USER NAME = woodshank	DESIGNED - RW	REVISED -
PLOT SCALE = 100,0000' / 1in.	DRAWN - RW	REVISED -
PLOT DATE = 4/27/2022	CHECKED - YP	REVISED -
	DATE - 2/10/2022	REVISED -

STATE OF ILLINOIS
DEPARTMENT OF TRANSPORTATION

EXISTING LIGHTING PLANS FOR INFORMATION ONLY	SCALE: SHEET 4 OF 9 SHEETS STA. TO STA.
---	---

F.A.I. RTE. 80	SECTION (32-3)HL	COUNTY GRUNDY	TOTAL SHEETS 13	SHEET NO. 12
CONTRACT NO. 66M52				
ILLINOIS FED. AID PROJECT				

MODEL: Default
 FILE NAME: p:\project\paw\bea\paw.com\PROJECT\Documents\11001\Office\Drawings\31\Project\10366453\CADD\DATA\12366452-2P ANS.dgn

