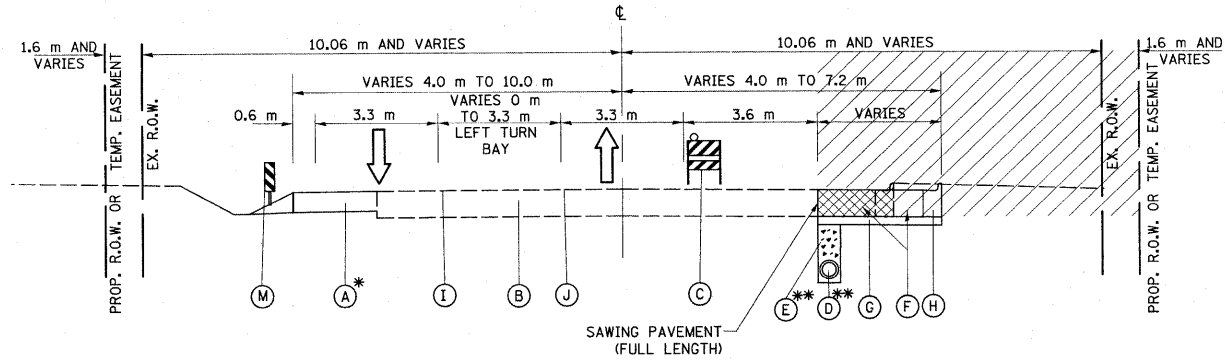
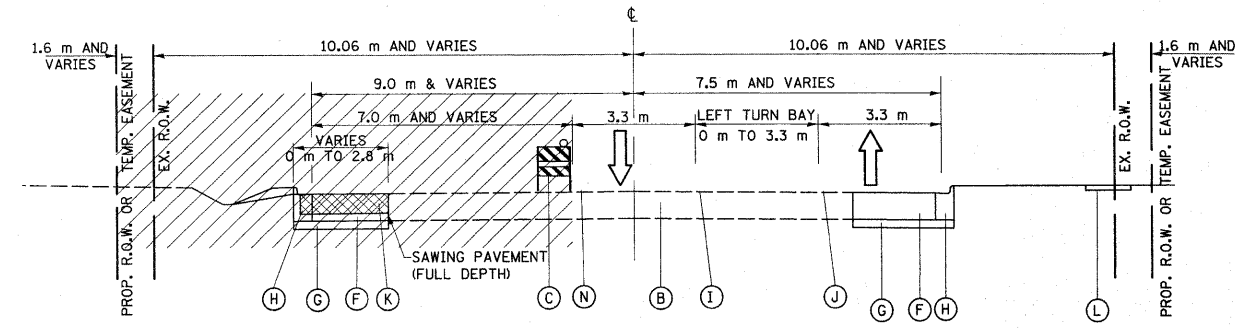


F.A.P. RTE.	SECTION	COUNTY	TOTAL SHEETS	SHEET NO.
866	4N-1	LAKE	165	37
STA. 0+687		TO STA. 1+250		
FED. ROAD DIST. NO. 1		ILLINOIS	FED. AID PROJECT	



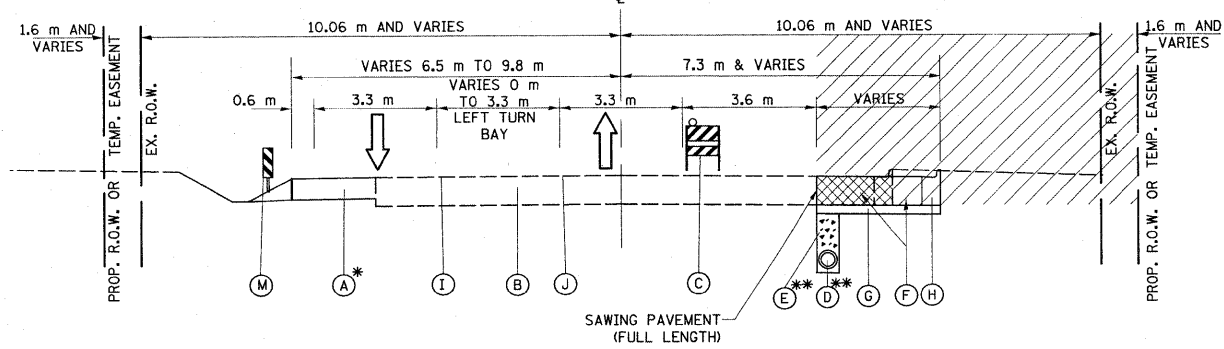
IL RTE 83
STAGE I CONSTRUCTION

- *TEMPORARY PAVEMENT STA. 0+613 TO STA. 1+078
- **PROP. STORM SEWER SOUTH SIDE STA. 0+645 TO STA. 1+078 TO STA. TO STA.
- (A*) TWO LINES 100 mm YELLOW @ 250 mm C-C (SOUTH LEG) ONE LINE 100 mm WHITE (NORTH LEG)



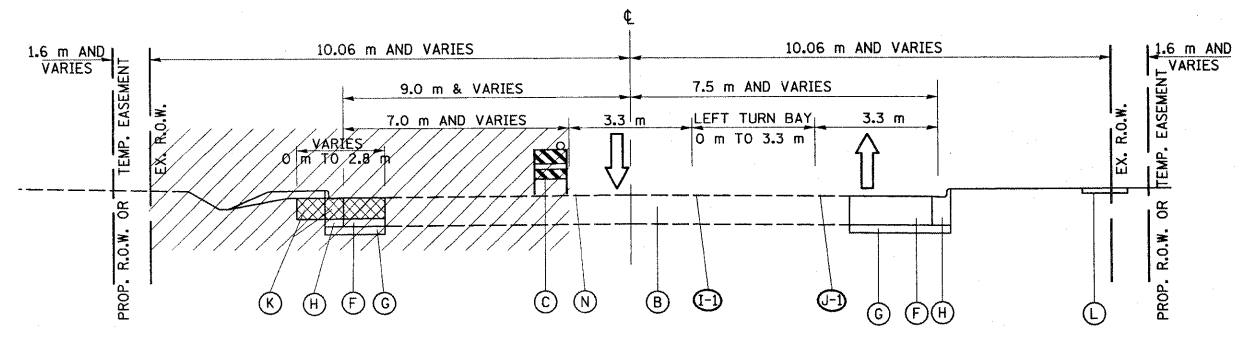
IL RTE 83
STAGE II CONSTRUCTION

- LEGEND**
- (A) TEMPORARY PAVEMENT, 260 mm
 - (B) EXISTING RESURFACED PAVEMENT ±368 mm
 - (C) DRUMS OF BARRICADES W/ STEADY BURNING LIGHT
 - (D) PROPOSED STORM SEWER
 - (E) PROPOSED TRENCH BACKFILL
 - (F) PROPOSED HMA BASE COURSE WIDENING 260 mm
 - (G) PROPOSED 100mm SUBBASE GRANULAR MATERIAL, TYPE B
 - (H) PROPOSED COMBINATION CONCRETE CURB & GUTTER, TYPE B-15.60
 - (I) TEMPORARY PAVEMENT MARKING (2-100 mm YELLOW @ 280 mm C-C SOUTH LEG; ONE LINE 100 mm WHITE - NORTH LEG) ONE LINE 100 mm YELLOW - NORTH LEG)
 - (I-1) TEMPORARY PAVEMENT MARKING (2-100 mm YELLOW @ 280 mm C-C EAST LEG; ONE LINE 100 mm WHITE - WEST LEG) ONE LINE 100 mm YELLOW - WEST LEG)
 - (J) TEMPORARY PAVEMENT MARKING (ONE LINE 100 mm WHITE - SOUTH LEG; 2-100 mm @ 280 mm C-C YELLOW - NORTH LEG)
 - (J-1) TEMPORARY PAVEMENT MARKING (ONE LINE 100 mm WHITE - WEST LEG, 2-100 mm C-C YELLOW EAST LEG) ONE LINE 100 mm YELLOW - EAST LEG)
 - (K) TEMPORARY PAVEMENT REMOVAL
 - (L) PROPOSED P.C.C. SIDEWALK, 125 mm
 - (M) VERTICAL PANELS
 - (N) TEMPORARY PAVEMENT MARKING (ONE LINE 150 mm - WHITE)
 - (O) TEMPORARY PAVEMENT MARKING (ONE LINE 150 mm - DOTTED WHITE)
- [Cross-hatched] REMOVAL ITEMS
 - [Diagonal lines] CONSTRUCTION AREA
 - [Vertical line with top bar] VERTICAL PANEL
 - [Arrow] DIRECTION OF TRAFFIC



IL RTE. 132
STAGE I CONSTRUCTION

- *TEMPORARY PAVEMENT STA. 2+835 TO STA. 3+232
- **PROP. STORM SEWER EAST SIDE STA. 2+630 TO STA. 2+987 AND STA. 2+998 TO STA. 3+317±



IL RTE. 132
STAGE II CONSTRUCTION

NOTE: FOR THE DRYLAND BRIDGE SEE SEPERATE CROSS SECTION

REVISIONS	
NAME	DATE

ILLINOIS DEPARTMENT OF TRANSPORTATION
 IL. RTE. 83 (MILWAUKEE AVE.)
 IL. RTE. 132 (GRAND AVE.)
 SUGGESTED TRAFFIC CONTROL AND STAGES OF CONSTRUCTION TYPICAL SECTIONS

SCALE: _____ DRAWN BY _____
 DATE: 11/9/2009 CHECKED BY _____