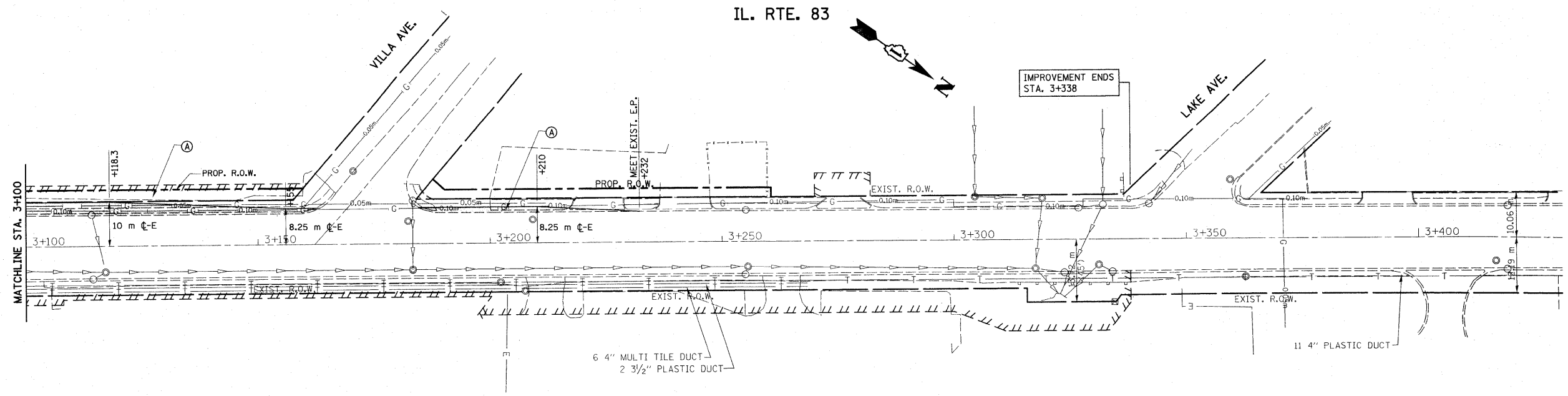
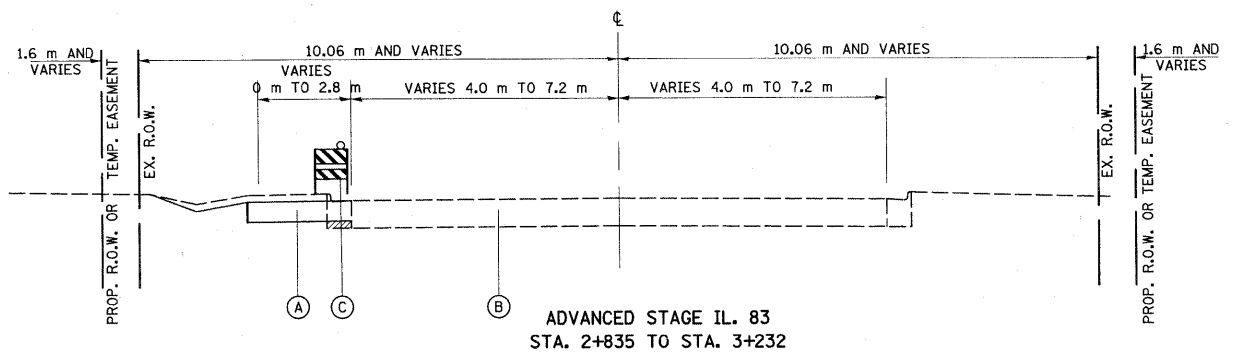


F.A.P. RTE.	SECTION	COUNTY	TOTAL SHEETS	SHEET NO.
866	4N-1	LAKE	165	39
STA.		TO STA.		
FED. ROAD DIST. NO. 1		ILLINOIS FED. AID PROJECT		



LEGEND

- Ⓐ TEMPORARY PAVEMENT, 260 mm
 - Ⓑ EXISTING RESURFACED PAVEMENT ±368 mm
 - Ⓒ DRUMS OR BARRICADES W/ STEADY BURNING LIGHT
 - Ⓓ PROPOSED STORM SEWER
 - Ⓔ PROPOSED TRENCH BACKFILL
 - Ⓕ PROPOSED HMA BASE COURSE WIDENING 260 mm
 - Ⓖ PROPOSED 100mm SUBBASE GRANULAR MATERIAL, TYPE B
 - Ⓗ PROPOSED COMBINATION CONCRETE CURB & GUTTER, TYPE B-15.60
 - Ⓙ TEMPORARY PAVEMENT MARKING (2-100 m YELLOW Ⓢ 3280 mm C-C SOUTH LEG)
 - Ⓚ ONE LINE 100 mm WHITE - NORTH LEG
 - Ⓛ TEMPORARY PAVEMENT MARKING (ONE LINE 100 mm WHITE - SOUTH LEG)
 - Ⓜ 2-100 mm Ⓢ 50 mm C-C W/ YELLOW - NORTH LEG
 - Ⓨ TEMPORARY PAVEMENT REMOVAL
 - Ⓩ PROPOSED P.C.C. SIDEWALK, 125 mm
- ▨ REMOVAL ITEMS
 - ▨ CONSTRUCTION AREA
 - ▨ VERTICAL PANEL
 - ➔ DIRECTION OF TRAFFIC



REVISIONS		ILLINOIS DEPARTMENT OF TRANSPORTATION
NAME	DATE	
		<p style="text-align: center;">IL. RTE. 83 (MILWAUKEE AVE.) Ⓢ IL. RTE. 132 (GRAND AVE.) SUGGESTED ADVANCED TRAFFIC CONTROL AND STAGES OF CONSTRUCTION</p> <p>SCALE: _____ DRAWN BY _____</p> <p>DATE: 11/9/2009 CHECKED BY _____</p>