

F.A. RTE.	SECTION	COUNTY	TOTAL SHEETS	SHEET NO.
866	4N-1	LAKE	165	100
STA. 3 + 318.69		TO STA. 3 + 324.15		
FED. ROAD DIST. NO.		ILLINOIS	FED. AID PROJECT	

CONTRACT: 60931

NOTE:

- THE CONTRACTOR SHALL SUBMIT A SOIL RETENTION SYSTEM DESIGN INCLUDING PLAN DETAILS AND CALCULATIONS FOR REVIEW AND ACCEPTANCE BY THE ENGINEER.
- FIELD CUT AND SHORE EXISTING PIPES TO FIT SITE CONDITIONS.

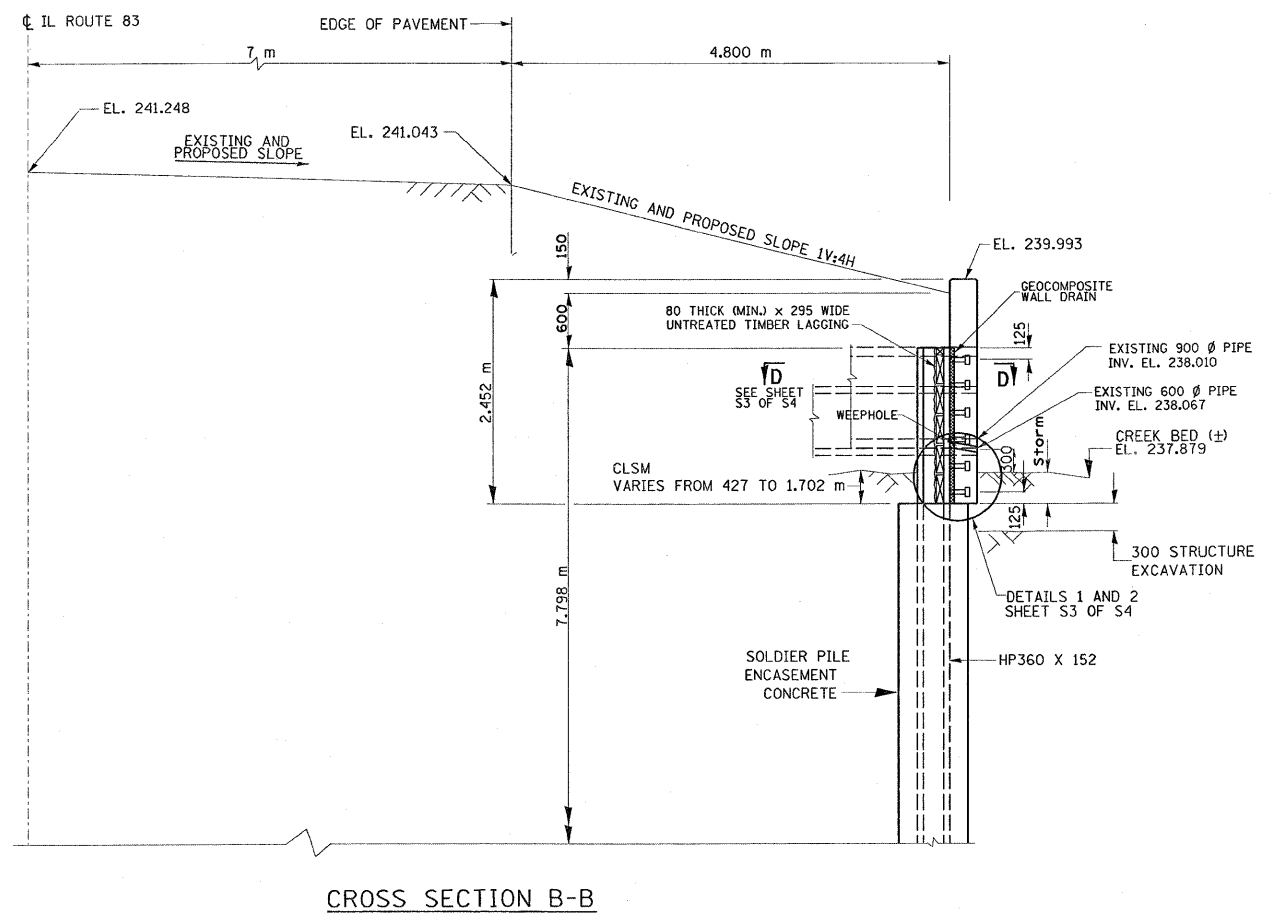
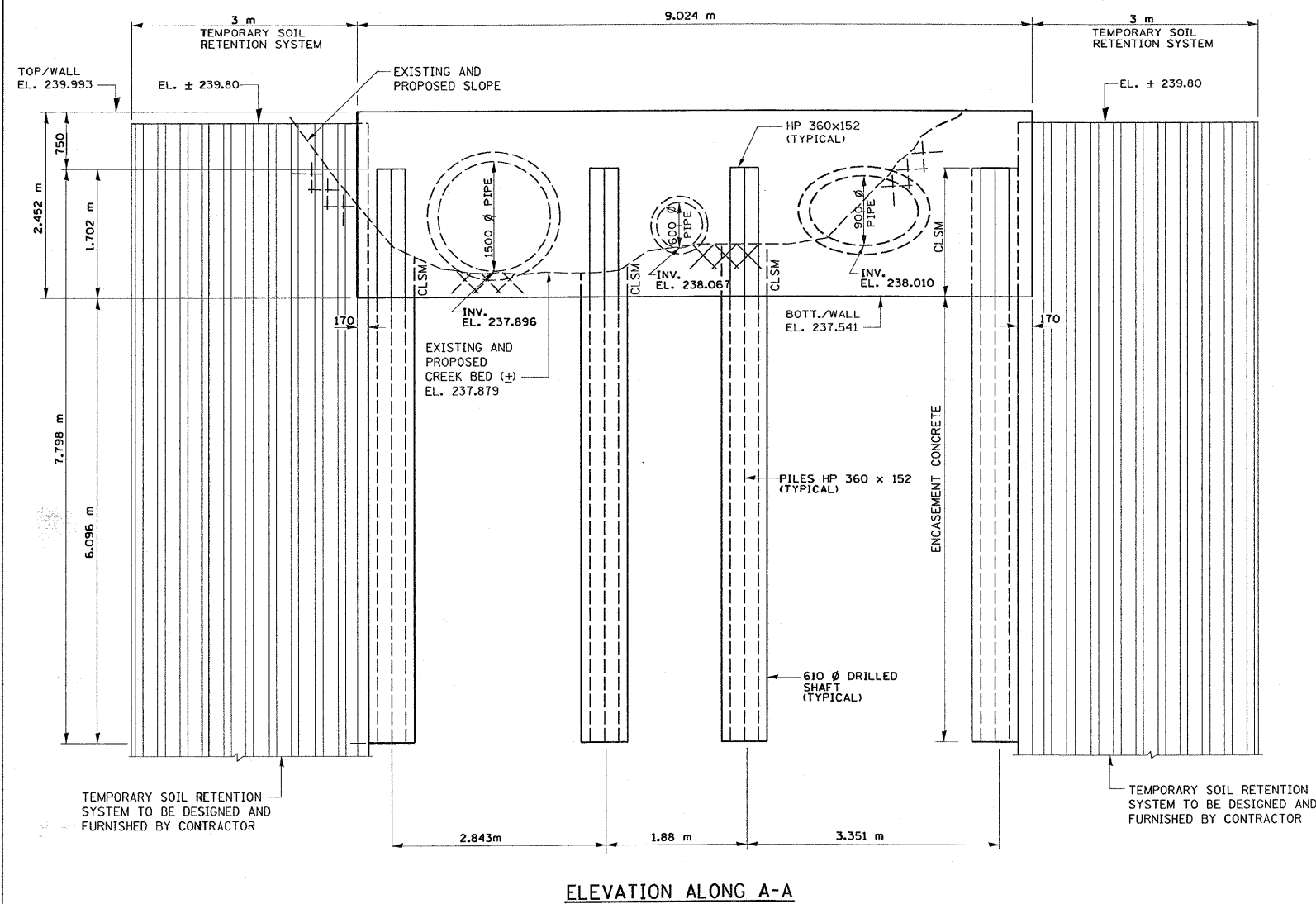
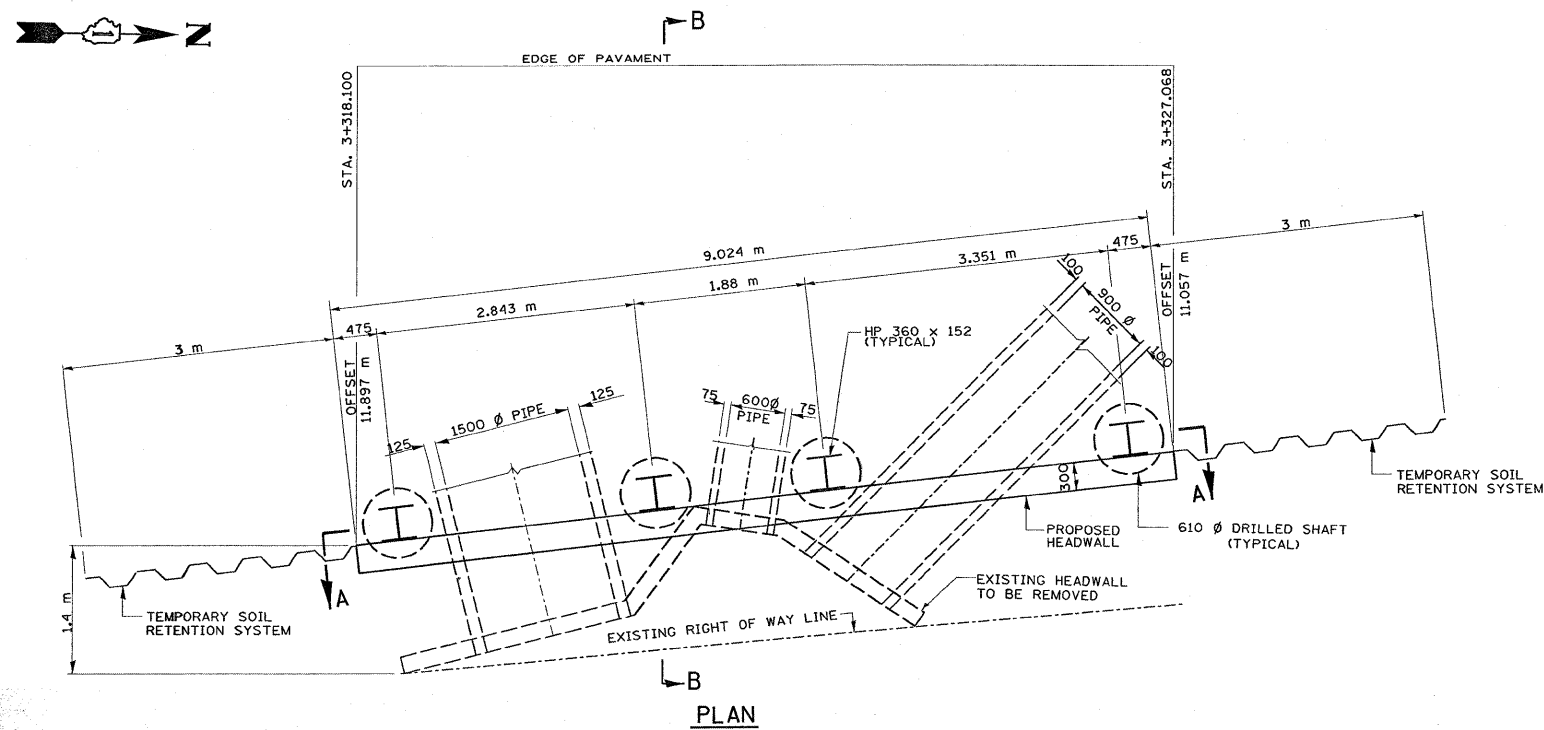
BILL OF MATERIALS

ITEM	UNIT	QUANTITY
CONCRETE REMOVAL	CU. M.	3.0
STRUCTURE EXCAVATION	CU. M.	36.8
CONCRETE STRUCTURES	CU. M.	6.7
REMOVE AND RE ERCT EXISTING GRATING (*)	EACH	1
CUT SHORE AND ADJUST PIPE 1500 mm	EACH	1
CUT SHORE AND ADJUST PIPE 900 mm	EACH	1
CUT SHORE AND ADJUST PIPE 600 mm	EACH	1
FURNISHING SOLDIER PILES HP 360 x 152	M.	31.2
DRILLING AND SETTING SOLDIER PILE (IN SOIL)	CU. M.	8.2
STUD SHEAR CONNECTORS	EACH	48
TEMPORARY SOIL RETENTION SYSTEM	SQ. M.	27

* COST INCLUDED IN CONCRETE STRUCTURES.

CLSM, INCLUDED IN COST OF DRILLING AND SETTING PILES, APPROX. QTY. = 1.0 CU.M.

ENCASEMENT CONCRETE, INCLUDED IN COST OF DRILLING AND SETTING PILES. APPROX. QTY. = 7.2 CU.M.



REVISIONS		ILLINOIS DEPARTMENT OF TRANSPORTATION IL 83 (MILWAUKEE AVENUE) AT IL 132 (GRAND AVENUE) CULVERT HEADWALL/ RETAINING WALL PLAN AND ELEVATION
NAME	DATE	
		SCALE : NONE DATE : 02/26/04 DRAWN BY: MVT CHECKED BY: RSS

10/21/2009
 c:\pwworking\pwworking\dwg\101016714\1183\11132.dgn
 DISTRICT ONE - DESIGN
 PLAN PREPARATION ENGINEER JOHN FORTMANN / RUSS SINHA (847) 705-4209 / ATTENTION MARK V. TINIAKOS (847) 705-4266