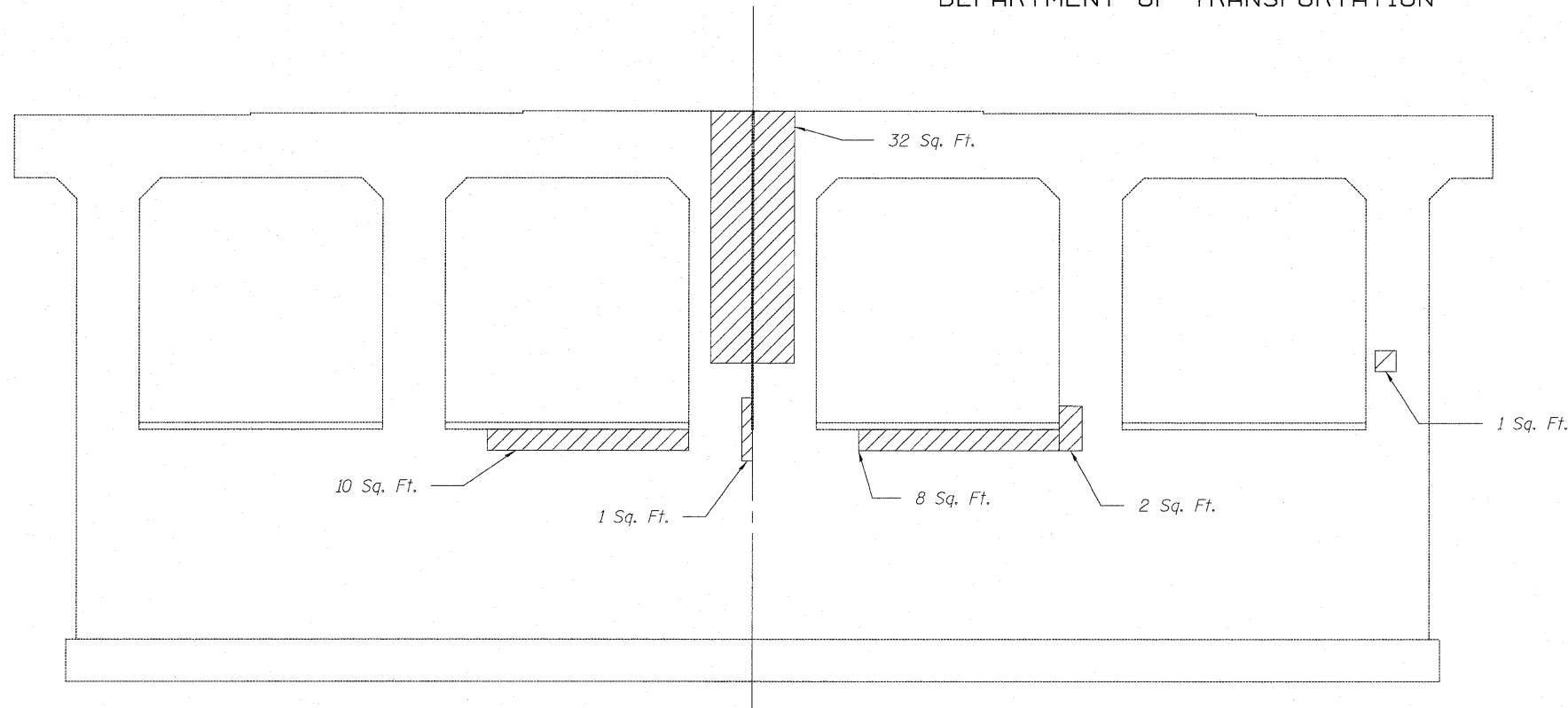
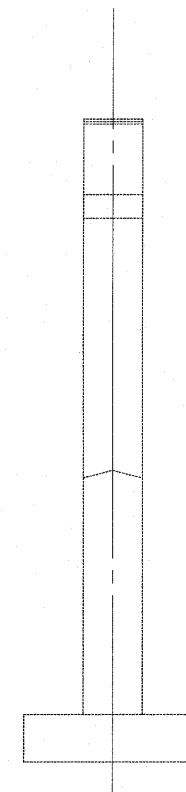


STATE OF ILLINOIS
DEPARTMENT OF TRANSPORTATION

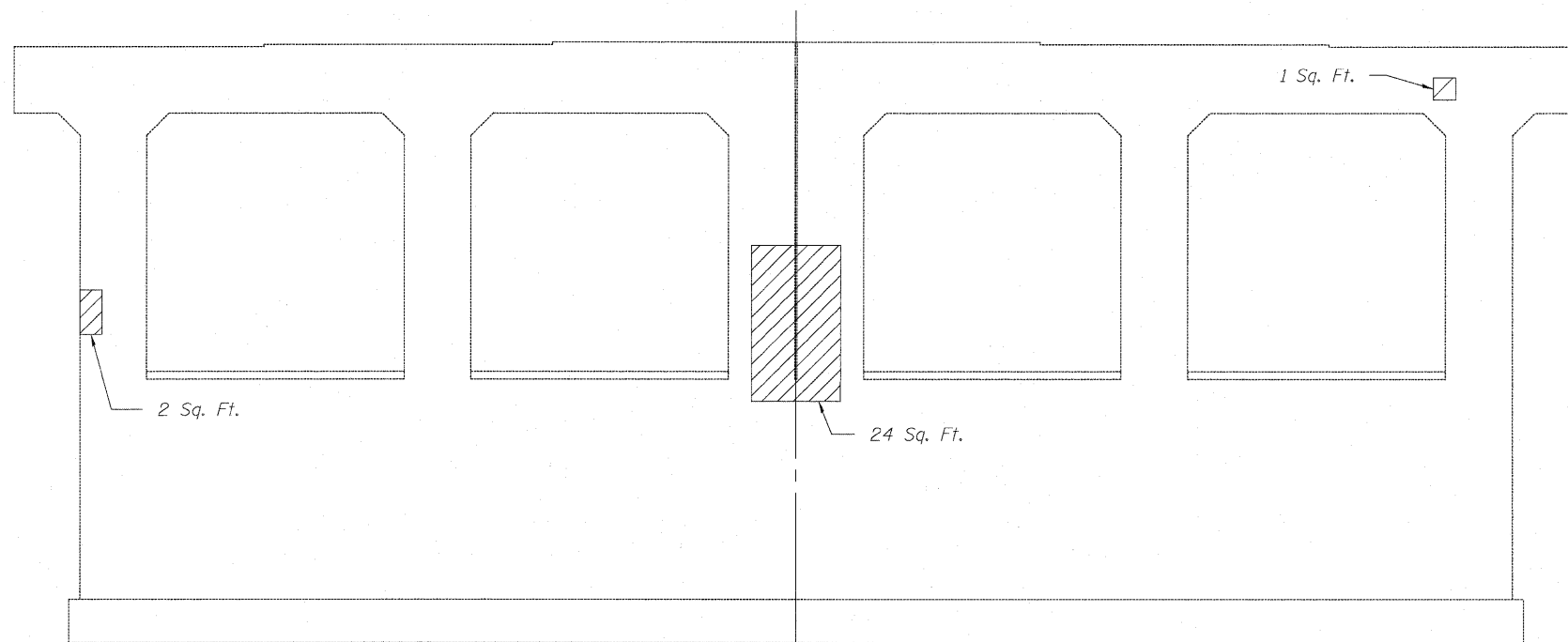


WEST FACE



ELEVATION

Note:
The quantities shown are for estimating purposes only.
Area to be repaired will be determined by the Engineer
at the time of construction.



EAST FACE

BILL OF MATERIAL

Item	Unit	Quantity
Structural Repair of Concrete (Depth equal to or less than 5 inches)	Sq. Ft.	81

PIER 1
REPAIR DETAILS
STRUCTURE NO. 016-0519

DESIGNED	JPM
CHECKED	TG
DRAWN	MPS
CHECKED	JPM, TG



LEGEND

Structural Repair of Concrete
(Depth Equal to or Less Than 5")

SHEET NO. S26	F.A.U. RTE.	SECTION	COUNTY	TOTAL SHEETS	SHEET NO.
	1548	461 (VB&VF) I	COOK	52	38
S34 SHEETS			CONTRACT NO. 60H65		
DATE: 06-22-2010		ILLINOIS FED. AID PROJECT			