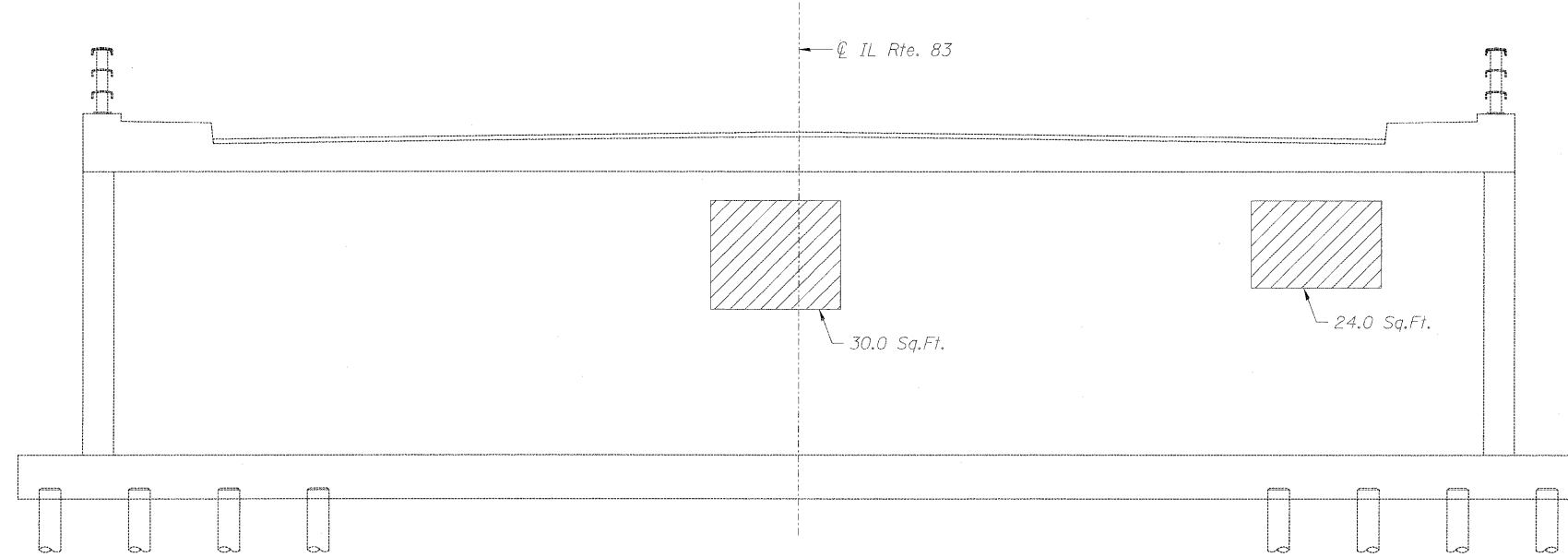
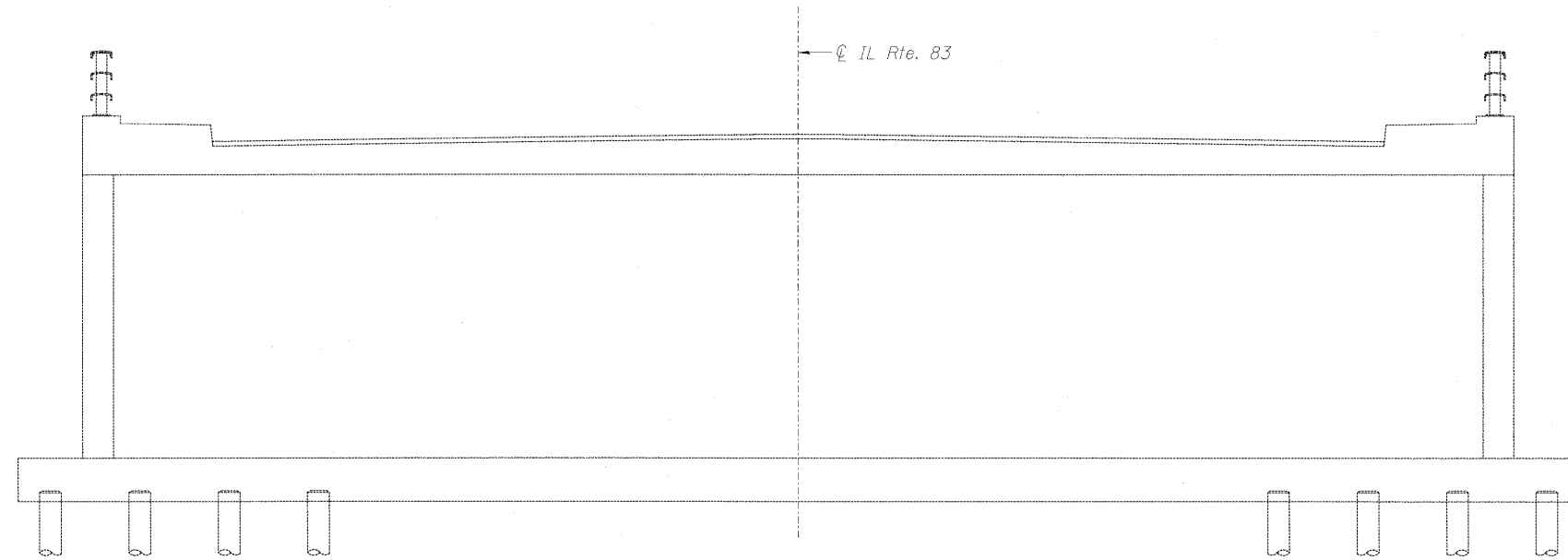


STATE OF ILLINOIS
DEPARTMENT OF TRANSPORTATION

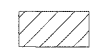


NORTH ABUTMENT ELEVATION



SOUTH ABUTMENT ELEVATION

LEGEND:

 Structural Repair of Concrete
(Depth equal or less than 5 inches)

Note:
Repair of existing abutments shall include
but may not be limited to the areas shown.
The actual areas to be repaired will be
determined by the Engineer at the time
of construction.

BILL OF MATERIAL

ITEM	UNIT	QUANTITY
Structural Repair of Concrete (Depth equal or less than 5 inches)	Sq.Ft.	54

ABUTMENT REPAIR DETAILS
STRUCTURE NO. 016-0558

DESIGNED	JPM
CHECKED	TG
DRAWN	MPS
CHECKED	JPM, TG



100 S. WACKER DRIVE SUITE 700 CHICAGO, IL 60606 P.312.686.0110 F.312.686.0415

SHEET NO.	F.A.P. RTE.	SECTION	COUNTY	TOTAL SHEETS	SHEET NO.
S5	344	97 B-I-1	COOK	16	12
S5 SHEETS			CONTRACT NO. 60J60		
ILLINOIS FED. AID PROJECT					