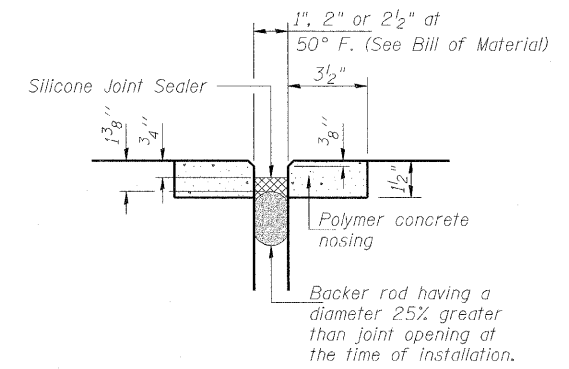
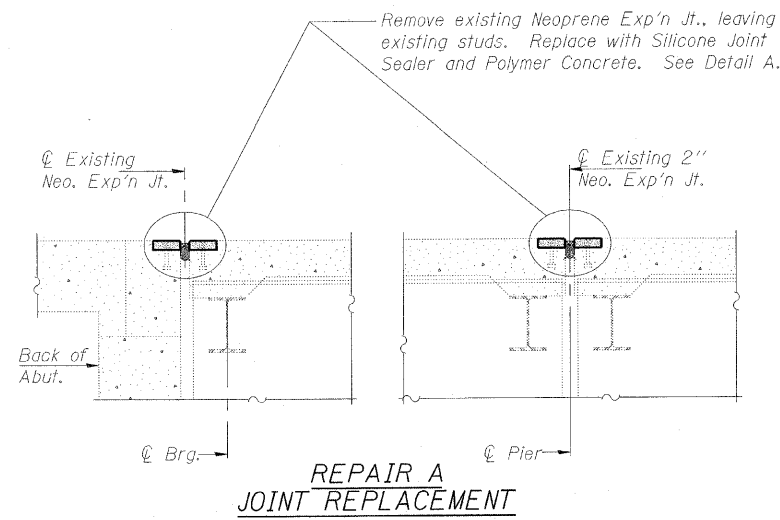
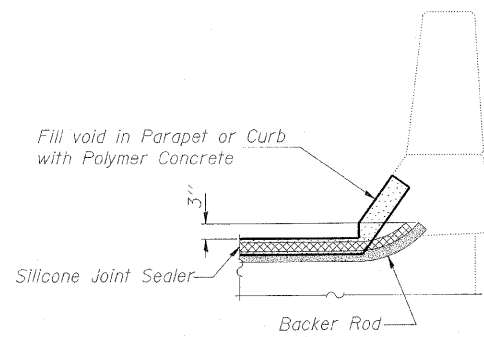


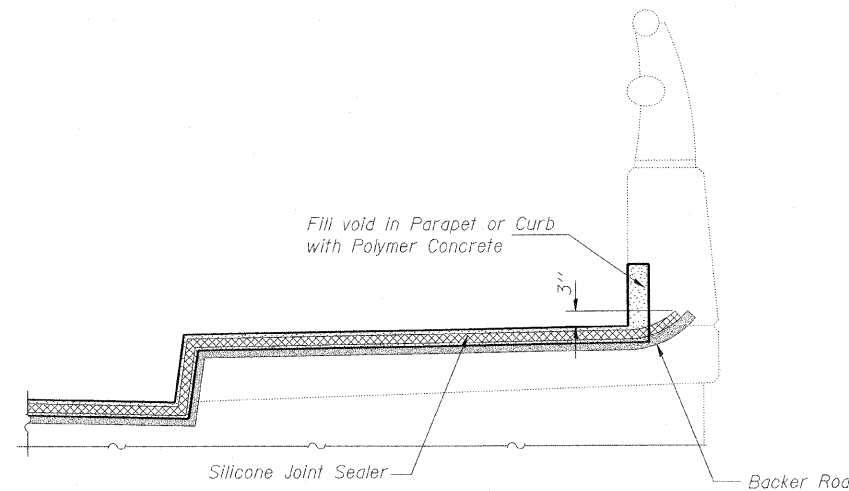
STATE OF ILLINOIS
DEPARTMENT OF TRANSPORTATION



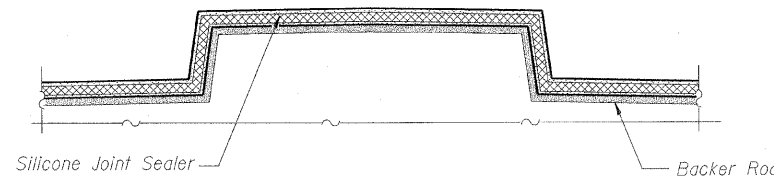
**DETAIL A
SILICONE JOINT SEALER DETAIL**



**TYPICAL END OF SEAL TREATMENT
AT WEST PARAPET
(Looking South)**



**TYPICAL END OF SEAL TREATMENT
AT EAST PARAPET
(Looking North)**



**TYPICAL SEAL TREATMENT
AT MEDIAN
(Looking North)**

BILL OF MATERIAL

ITEM DESCRIPTION	UNIT	QUANTITY
Silicone Joint Sealer, 1" (At S. Abut., Pier 2, Pier 3 and N. Abut.)	Foot	254.4
Silicone Joint Sealer, 2" (At Pier 4)	Foot	63.6
Silicone Joint Sealer, 2 1/2" (At Pier 1)	Foot	63.6
Polymer Concrete	Cu. Ft.	27.8

**SILICONE JOINT SEALER WITH
POLYMER CONCRETE NOSING
STRUCTURE NO. 016-2124**

DESIGNED <u>JWK</u>	2010
CHECKED <u>JMH</u>	EXAMINED
DRAWN <u>DR</u>	ENGINEER OF STRUCTURAL SERVICES
CHECKED <u>JWK</u>	PASSED
	ENGINEER OF BRIDGES AND STRUCTURES

SHEET NO. S5 OF S6 SHEETS	F.A.U. RTE.	SECTION	COUNTY	TOTAL SHEETS	SHEET NO.
	2729	1617-I-1	COOK	13	9
CONTRACT NO. 60J69					
ILLINOIS FED. AID PROJECT					