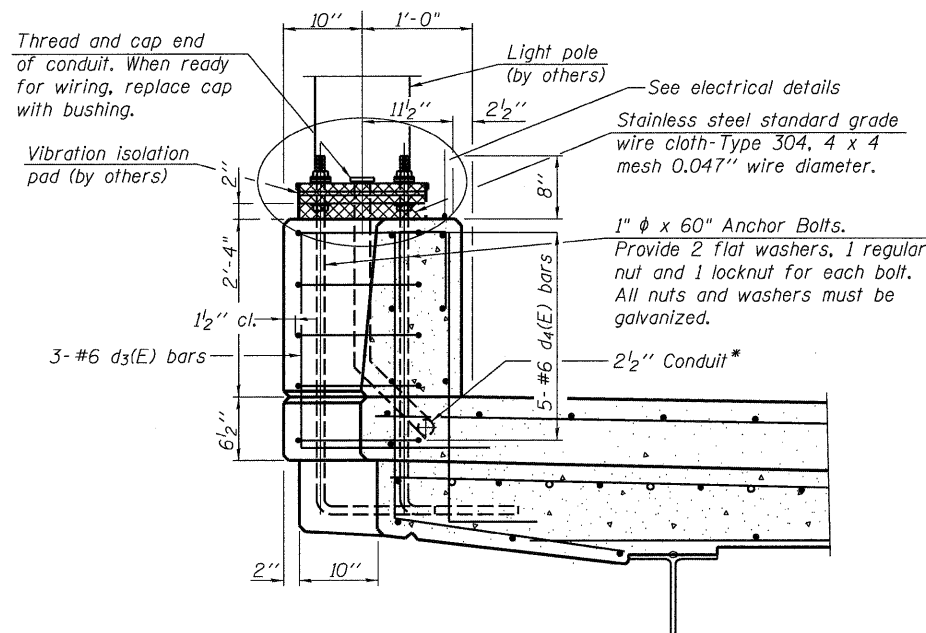


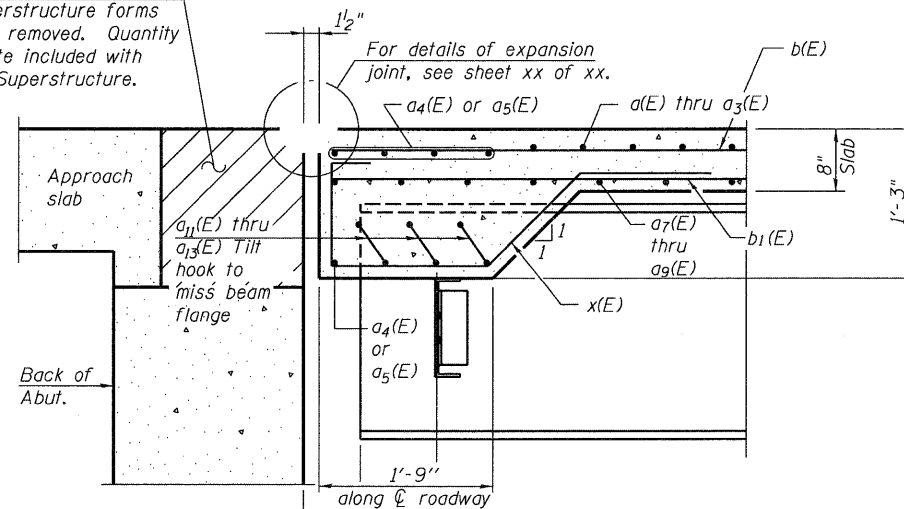
STATE OF ILLINOIS  
DEPARTMENT OF TRANSPORTATION



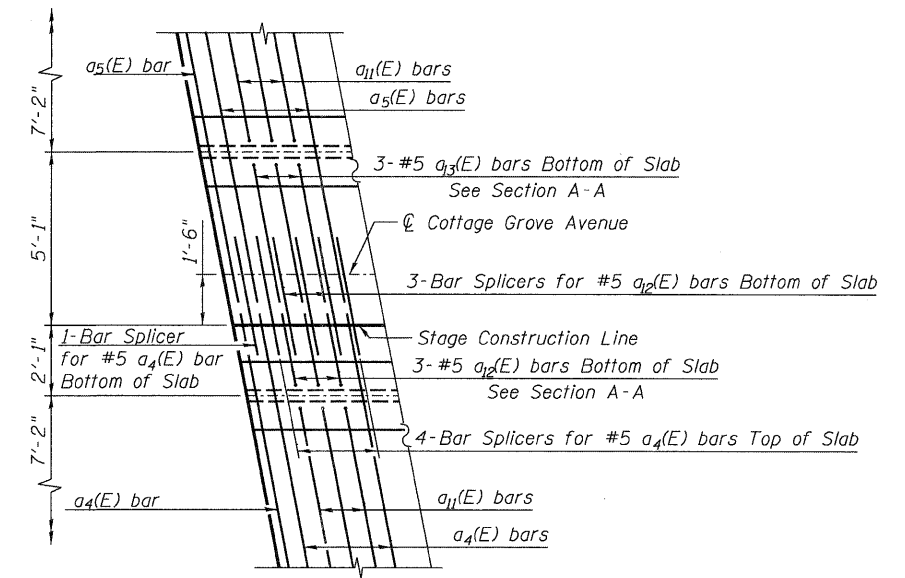
**SECTION B-B**

\*Conduit shall have minimum 1/2" clearance from all reinforcement.

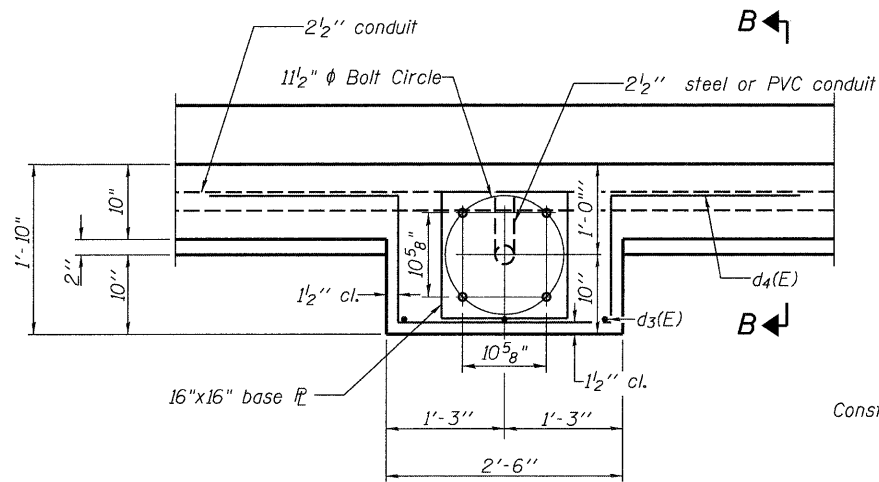
Hatched area to be poured after superstructure forms have been removed. Quantity of concrete included with Concrete Superstructure.



**SECTION A-A**

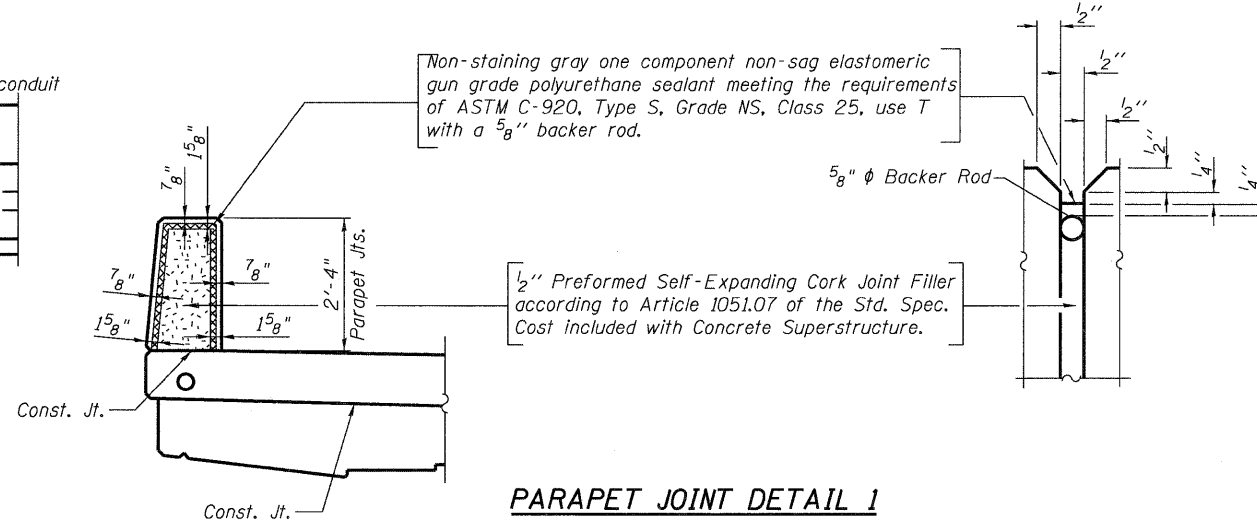


**DETAIL 1**  
(at Expansion Joint)  
Typical Slab Reinforcement  
not shown for clarity

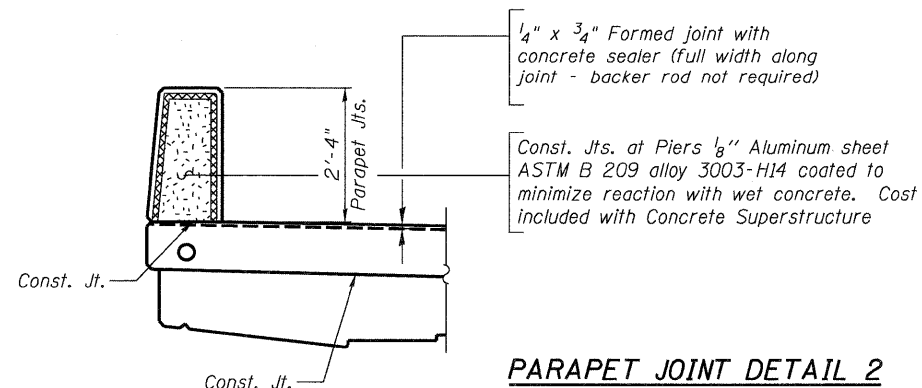


**DETAIL 2**  
2 locations

Note:  
Cost of anchor rods and conduit is included with Concrete Superstructure.



**PARAPET JOINT DETAIL 1**



**PARAPET JOINT DETAIL 2**

Notes:

1. For location of Details 1 and 2, see sheet 9 of 19.
2. For location of Parapet Joint Details 1 and 2, see Sheet 11 of 19.

DESIGNED	EV
CHECKED	PC
DRAWN	JCP
CHECKED	JPO

**FOR INFORMATION ONLY**

 600 W FULTON ST CHICAGO, ILLINOIS 60661 1259	TEL 312 454 8100 FAX 312 559 1217 WEB www.epstein-si.com	SHEET NO. 8	F.A.I. RTE. 94	SECTION 1314B-1-F	COUNTY COOK	TOTAL SHEETS 19	SHEET NO. 10
		S17 SHEETS	ILLINOIS FED. AID PROJECT			CONTRACT NO. 60K91	

**SUPERSTRUCTURE DETAILS 1**  
**STRUCTURE NO. 016-2119**