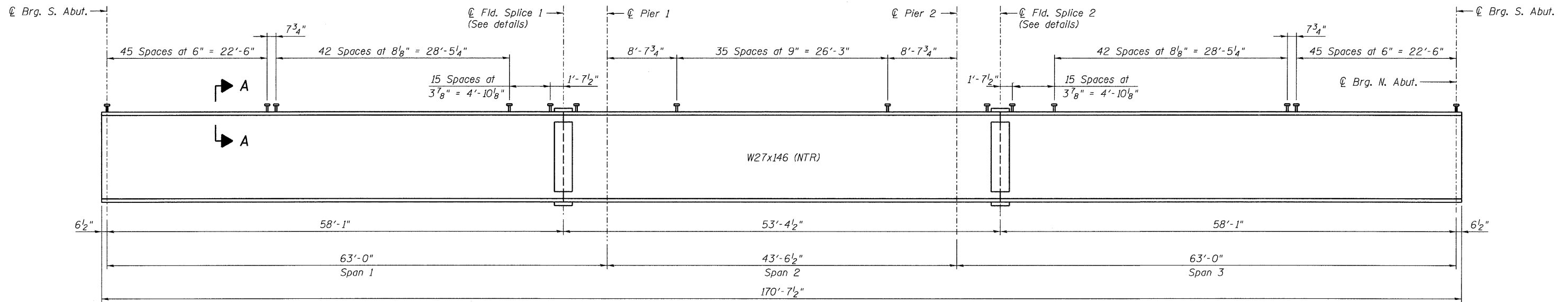


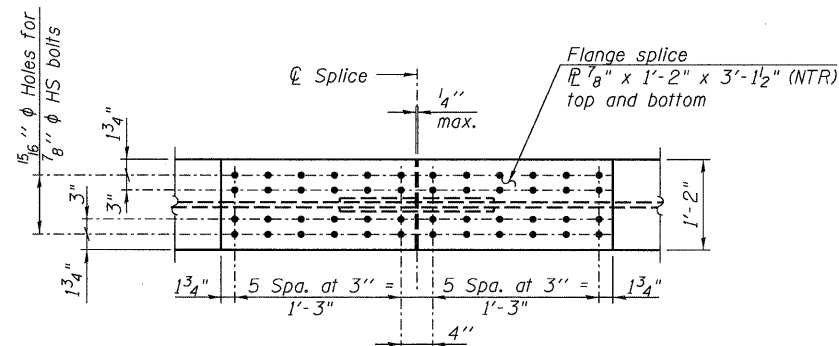
STATE OF ILLINOIS
DEPARTMENT OF TRANSPORTATION



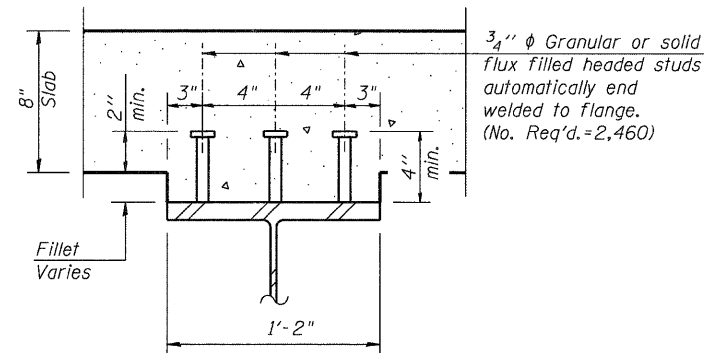
TYPICAL BEAM ELEVATION

TOP OF BEAM ELEVATIONS
(For Fabrication only)

	℄ Brg. S. Abut.	℄ Splice 1	℄ Brg. Pier 1	℄ Brg. Pier 2	℄ Splice 1	℄ Brg. N. Abut.
Beam 1	590.31	591.76	591.85	592.63	592.73	593.36
Beam 2	590.38	591.82	591.91	592.68	592.78	593.40
Beam 3	590.53	591.96	592.05	592.82	592.91	593.52
Beam 4	590.69	592.10	592.19	592.95	593.04	593.64
Beam 5	590.84	592.24	592.33	593.08	593.17	593.76
Beam 6	590.88	592.27	592.36	593.10	593.19	593.77
Beam 7	590.81	592.18	592.27	593.00	593.09	593.66
Beam 8	590.73	592.10	592.19	592.91	593.00	593.55
Beam 9	590.66	592.02	592.10	592.82	592.91	593.45
Beam 10	590.67	592.02	592.10	592.81	592.89	593.43



VIEW B-B



SECTION A-A

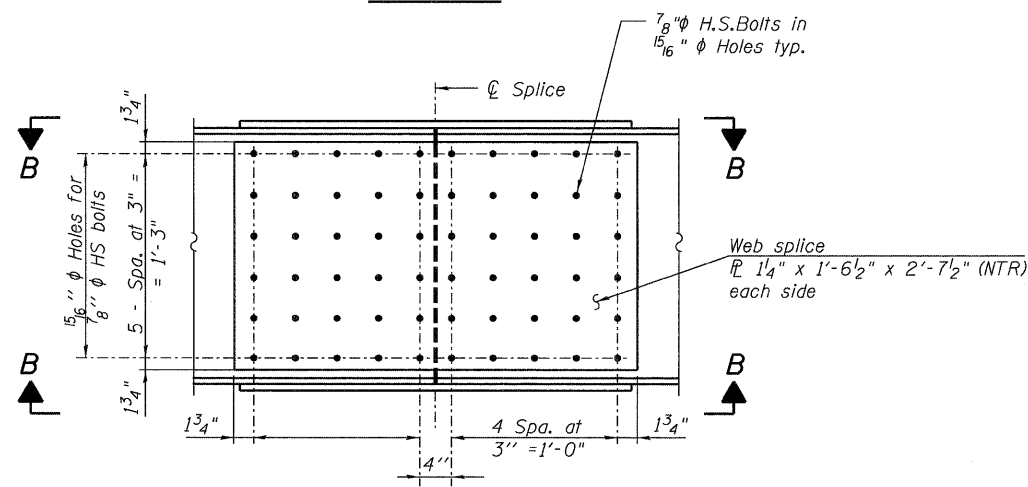
- Notes:
- Load carrying components designated "NTR" shall conform to the Supplemental Requirements for Notch Toughness, Zone 2.
 - AASHTO M270 Grade 50 steel shall be used for all wide flange beams and splice plates.

BILL OF MATERIALS

Item	Unit	Total
Furnishing Structural Steel	L. Sum	1
* Stud Shear Connectors	Each	6,420

* Stud Shear Connectors not included in this Contract

BEAM DETAILS
STRUCTURE NO. 016-2119



TYPICAL SPLICE ELEVATION

SPLICE DETAIL
(20 Required)

DESIGNED	EV
CHECKED	PC
DRAWN	JCP
CHECKED	JPO

 600 W FULTON ST CHICAGO, ILLINOIS 60661 1259 TEL 312 454 9100 FAX 312 559 1217 WEB www.epstein-isl.com	SHEET NO. 12 S17 SHEETS	F.A.I. RTE.	SECTION	COUNTY	TOTAL SHEETS	SHEET NO.
		94	1314B-1-F	COOK	19	14
CONTRACT NO. 60K91						ILLINOIS FED. AID PROJECT