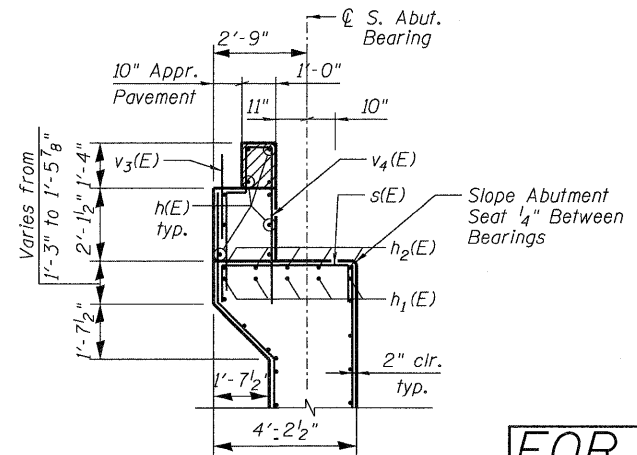
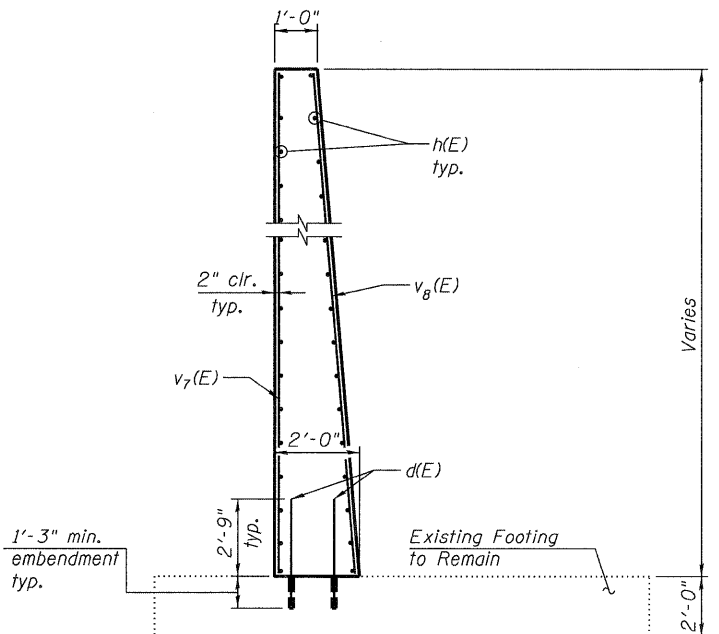
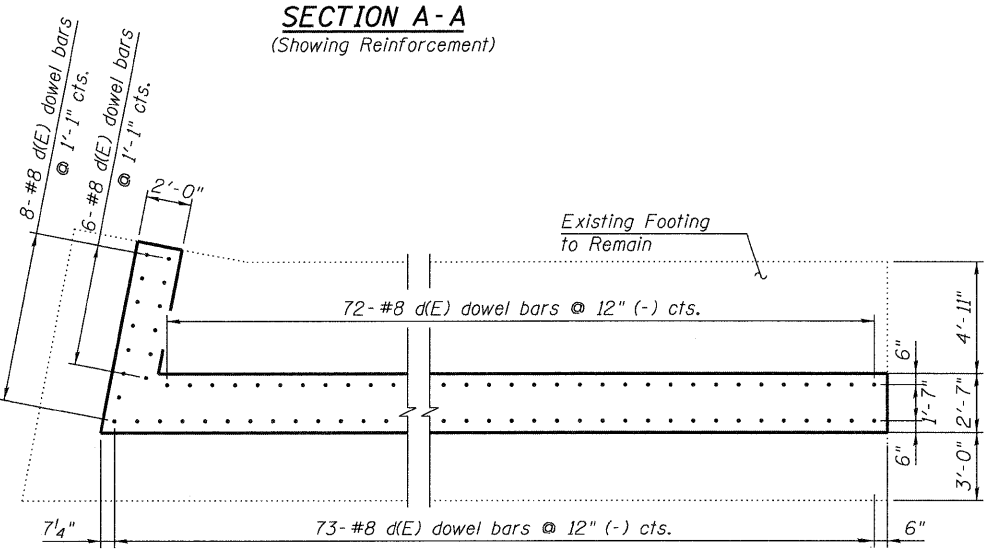
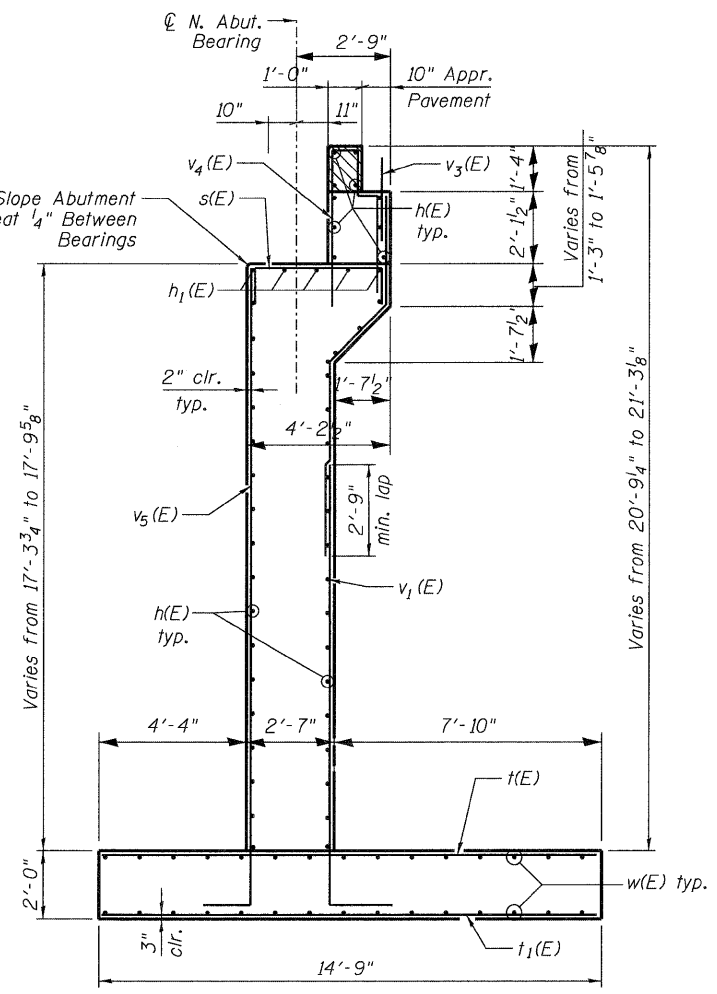
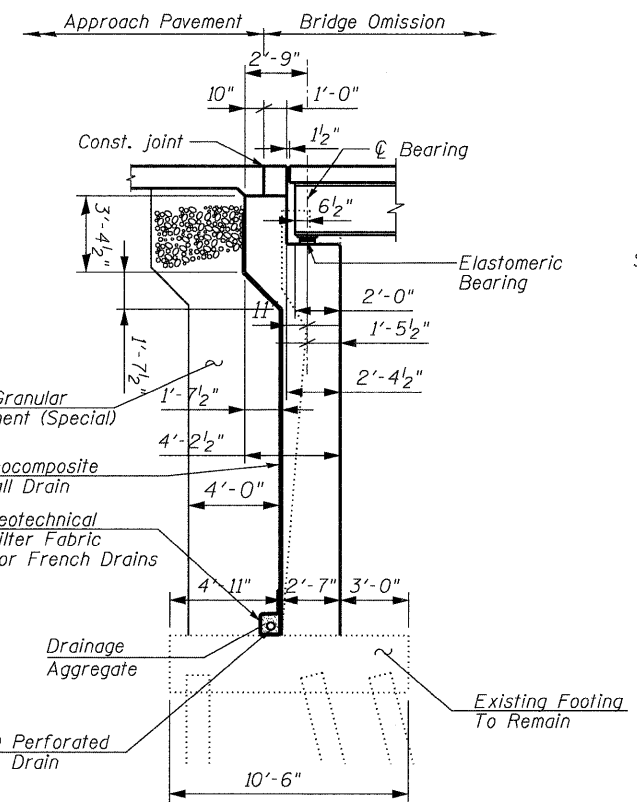
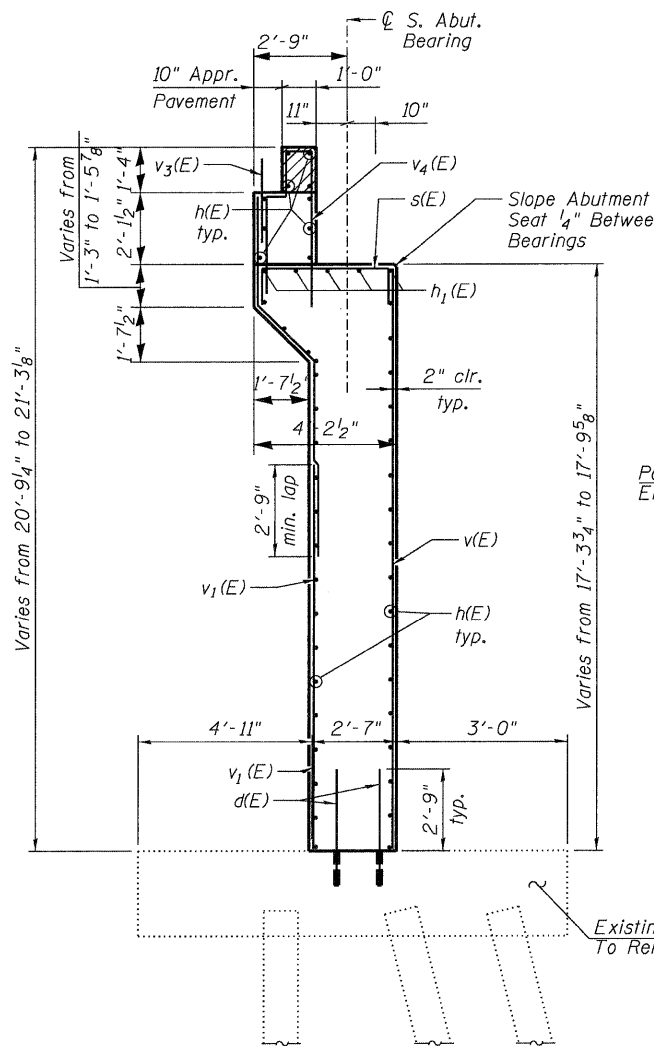


STATE OF ILLINOIS
DEPARTMENT OF TRANSPORTATION

BILL OF MATERIAL

Bar	No.	Size	Length	Shape
h(E)				
h ₁ (E)				
h ₂ (E)				
h ₃ (E)				
h ₄ (E)				
h ₅ (E)				
h ₆ (E)				
h ₇ (E)				
h ₈ (E)				
h ₉ (E)				
h ₁₀ (E)				
h ₁₁ (E)				
n(E)				
p(E)				
s(E)				
t(E)				
t ₁ (E)				
v(E)				
v ₁ (E)				
v ₂ (E)				
v ₃ (E)				
v ₄ (E)				
v ₅ (E)				
v ₆ (E)				
v ₇ (E)				
v ₈ (E)				
v ₉ (E)				
w(E)				
Structure Excavation			Cu. Yd.	
Concrete Structures			Cu. Yd.	
Reinforcement Bars, Epoxy Coated			Pound	
Concrete Sealer			Sq. Ft.	



FOR INFORMATION ONLY

ABUTMENT DETAILS
STRUCTURE NO. 016-2119

DESIGNED	EV
CHECKED	PC
DRAWN	JCP
CHECKED	JPO

 600 W FULTON ST CHICAGO, ILLINOIS 60661 1259 TEL 312 454 9100 FAX 312 559 1217 WEB www.epstein-ill.com	SHEET NO. 16 S17 SHEETS	F.A.I. RTE.	SECTION	COUNTY	TOTAL SHEETS	SHEET NO.
		94	1314B-1-F	COOK	19	18
CONTRACT NO. 60K91						ILLINOIS FED. AID PROJECT

6/10/2010 5:22:16 PM P:\Projects\2010\20225 - DOT PTB 1520\CAD\CADD Sheets\Beam Fabrication\0161243-016-AbutDetails.dgn