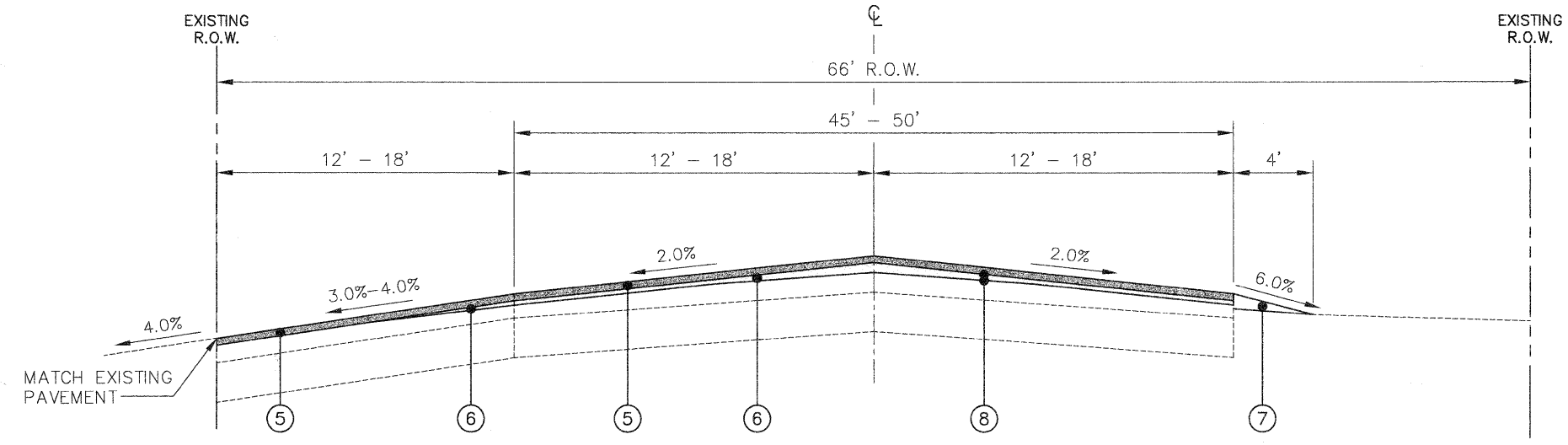
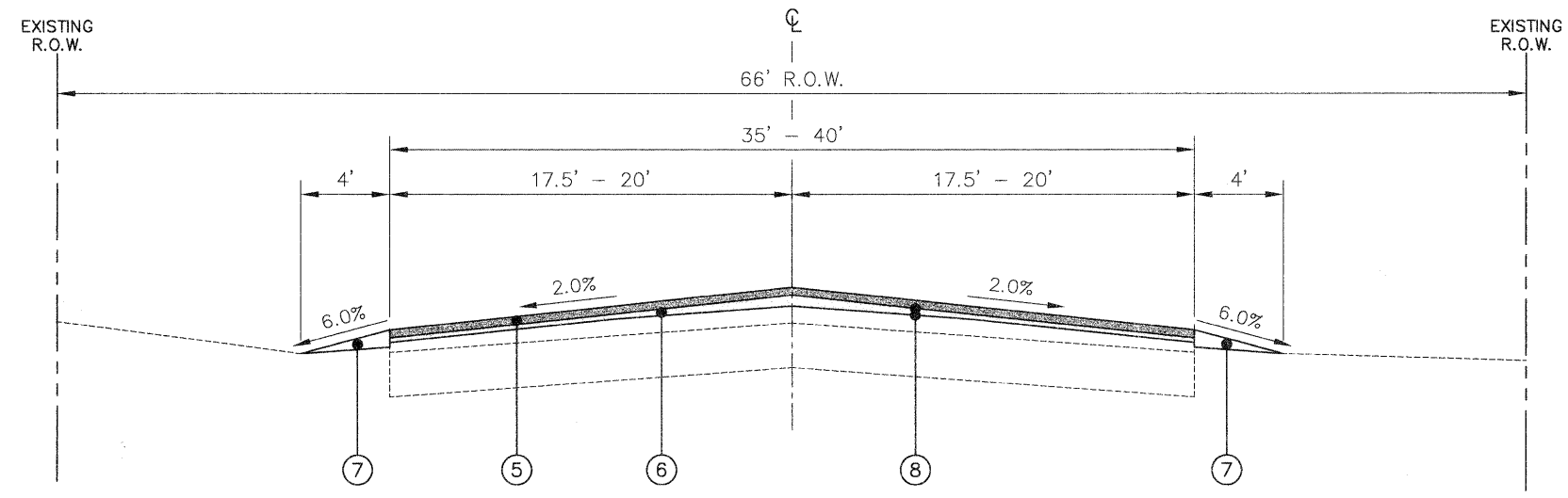


F.A.U. RTE.	SECTION	COUNTY	TOTAL SHEETS	SHEET NO.
2321	10-00018-00-RS	KANE	14	5
CONTRACT NO. 63460				



**PROPOSED TYPICAL SECTION
STA 10+00 TO STA 15+43, DIETRICH ROAD**
N.T.S.



**PROPOSED TYPICAL SECTION
STA 15+43 TO STA 17+36, DIETRICH ROAD**
N.T.S.

LEGEND	
① EXISTING ASPHALT PAVEMENT, 6"	⑤ HOT-MIX ASPHALT SURFACE COURSE, MIX "C", N50, 2.0"
② EXISTING AGGREGATE BASE, 12"	⑥ LEVELING BINDER (MACHINE METHOD), N50, 1.25"
③ EXISTING AGGREGATE SHOULDER	⑦ AGGREGATE SHOULDERS (SPECIAL)
④ HOT-MIX ASPHALT SURFACE REMOVAL, 1.5"	⑧ BITUMINOUS MATERIALS (PRIME COAT) AND AGGREGATE (PRIME COAT)

CONTRACTOR SHALL MILL BEFORE PATCHING.

HOT-MIX ASPHALT MIXTURE REQUIREMENTS	
MIXTURE TYPE	AIR VOID @ Ndes
PAVEMENT RESURFACING	
HOT-MIX ASPHALT SURFACE COURSE, MIX "C", N50 (IL-9.5 MM), 2"	4% @ 50 GYR.
LEVELING BINDER (MACHINE METHOD), N50 (IL-9.5 MM), 1 1/4"	4% @ 50 GYR.
PATCHING	
CLASS D PATCHES (HMA BINDER IL-19.0 MM)	4% @ 70 GYR.

THE "AC TYPE" FOR POLYMERIZED HMA MIXES SHALL BE "SBS/SBR PG 70-22" AND FOR NON-POLYMERIZED HMA THE "AC TYPE" SHALL BE "PG 64-22" UNLESS MODIFIED BY DISTRICT ON SPECIAL PROVISIONS. FOR "PERCENT OF RAP" SEE DISTRICT ONE SPECIAL PROVISIONS.

THE UNIT WEIGHT USED TO CALCULATE ALL HOT-MIX ASPHALT QUANTITIES IS 112 LBS/SQ.YD./INCH.

Plotfile: May 24, 2010 @ 10:50 AM By: Larry Nelson - Tab: 05 Typ: Sections 22x34

COPYRIGHT © 2010 ENGINEERING ENTERPRISES, INC.

Engineering Enterprises, Inc.
CONSULTING ENGINEERS
52 Wheeler Road
Sugar Grove, Illinois 60554
630.466.6700 / www.eeiweb.com

VILLAGE OF HAMPSHIRE
KANE COUNTY, ILLINOIS

NO.	DATE	REVISIONS

**DIETRICH ROAD
LAPP IMPROVEMENTS**

**TYPICAL PROPOSED
SECTIONS**

DATE:	JANUARY 2010
PROJECT NO:	HA0957
FILE:	HA0957-CVR
SHEET	5 OF 14

Path: \\SBSRPROG\100957\DWG\DWG_FINAL_ENG\100957-CVR