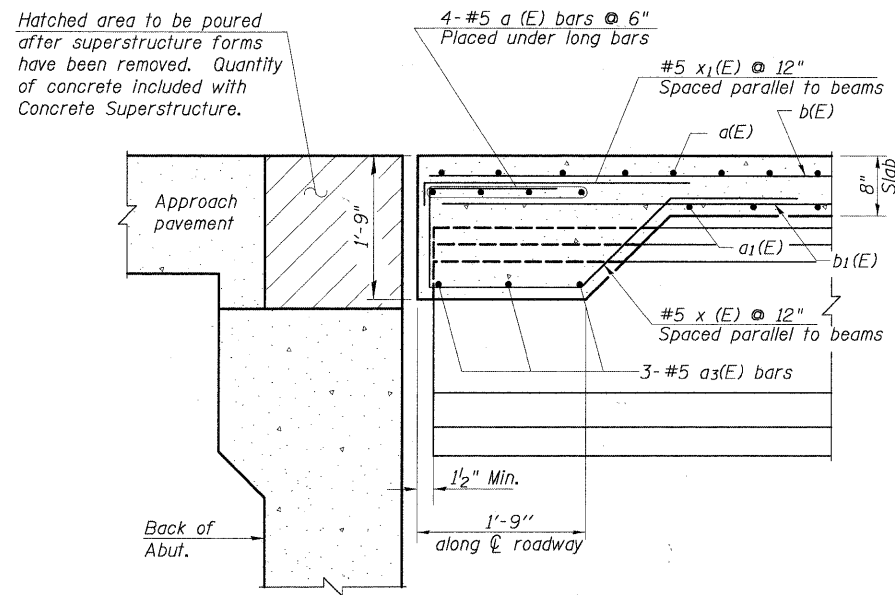
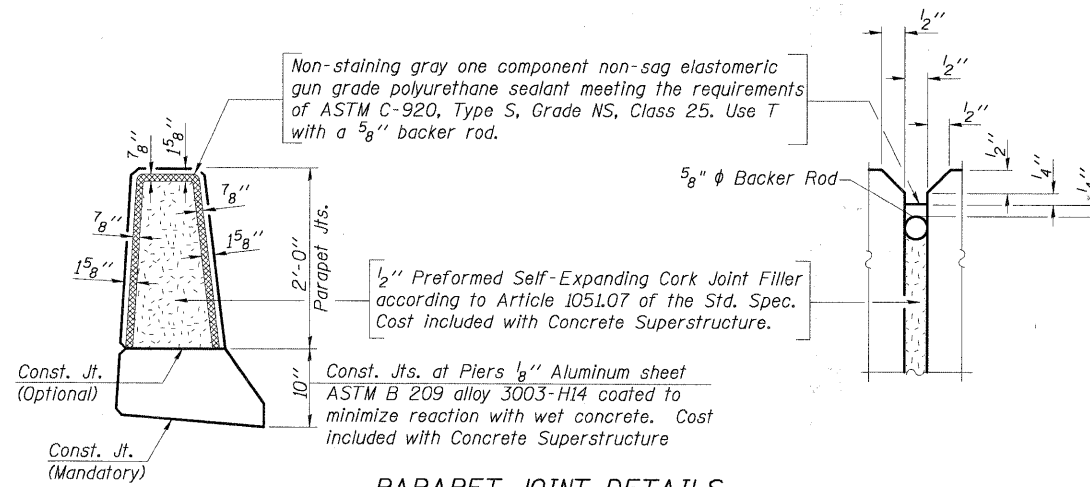


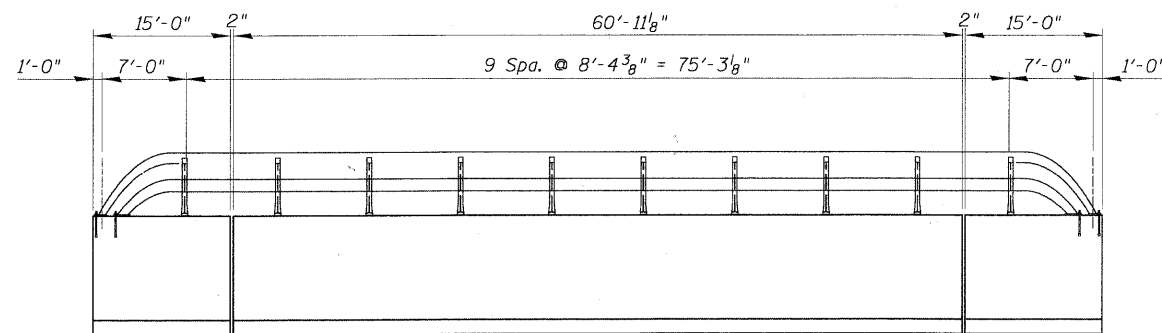
STATE OF ILLINOIS
DEPARTMENT OF TRANSPORTATION



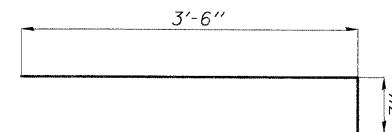
SECTION A-A



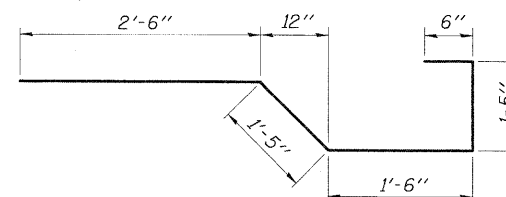
PARAPET JOINT DETAILS



RAIL POST SPACING



BAR x1(E)



BAR x(E)

DECK DETAILS
IL RTE 53 E. FRONTAGE ROAD
OVER SALT CREEK
F.A.U. ROUTE 2594
SEC. 04-00091-00-BR
COOK COUNTY
STATION 21+81.13
STRUCTURE NO. 016-1123

DESIGNED -	200
CHECKED -	EXAMINED
DRAWN -	PASSED
CHECKED -	ENGINEER OF BRIDGES AND STRUCTURES

SHEET NO. S-8 SHEETS	F.A.U. RTE.	SECTION	COUNTY	TOTAL SHEETS	SHEET NO.
	2594	04-00091-00-BR	COOK	50	15
CONTRACT NO. 63471					
FED. ROAD DIST. NO. 1 ILLINOIS FED. AID PROJECT					