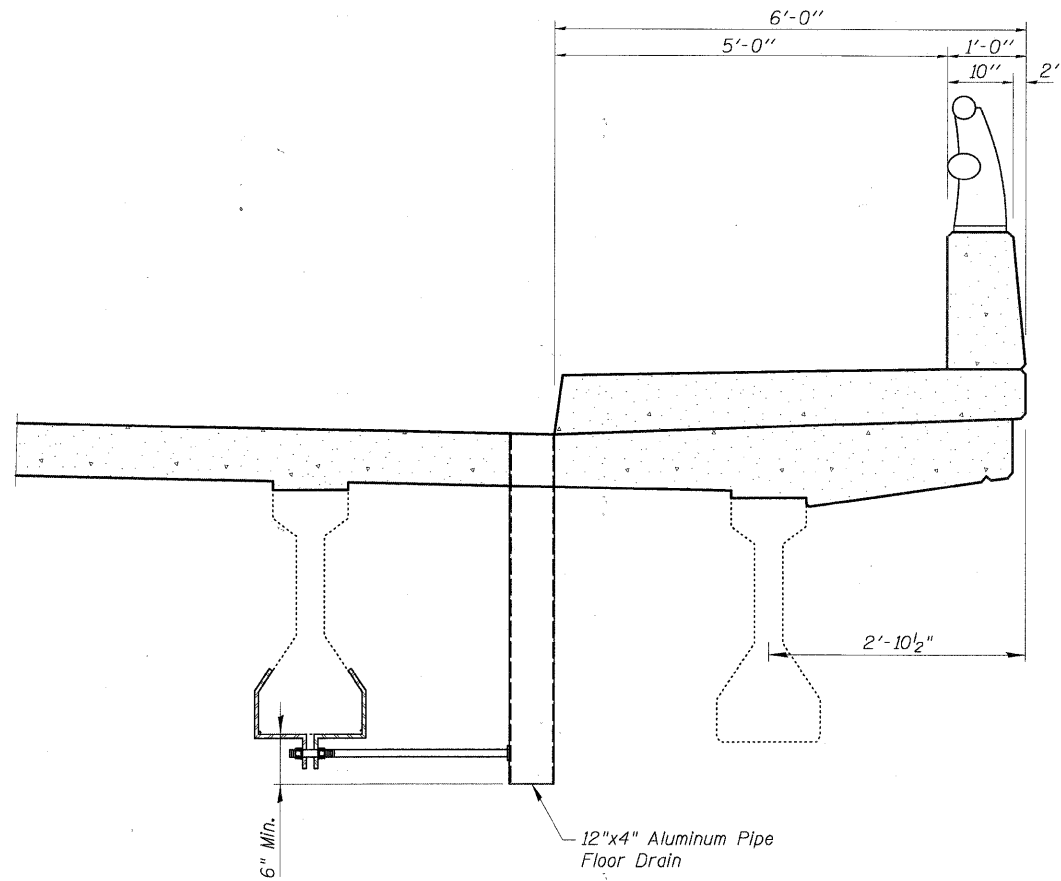
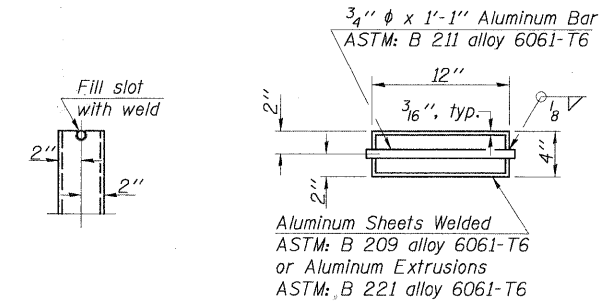


STATE OF ILLINOIS  
DEPARTMENT OF TRANSPORTATION

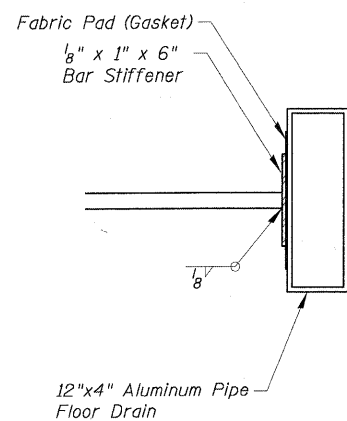


SECTION AT SIDEWALK

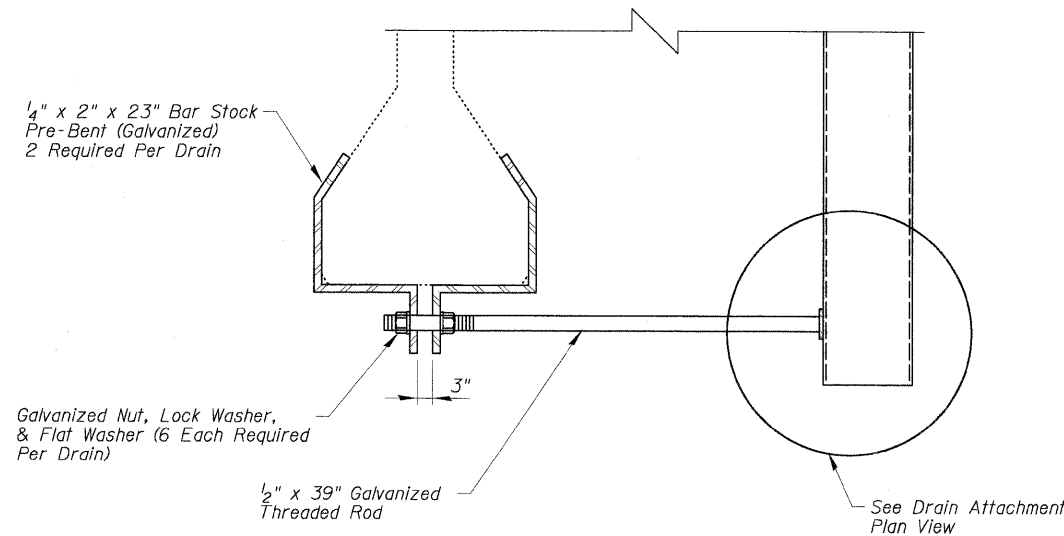
Notes:  
Drains shall be located clear of all diaphragms.  
Floor drains need not be painted.  
Fiberglass pipe shall conform to ASTM D 2996, with short-time rupture strength hoop tensile stress of 30,000 p.s.i. minimum.  
Galvanize clamping device according to AASHTO M232. Cost of clamping device and inserts is included with "Floor Drains (Special)".



TOP PLAN OF FLOOR DRAIN

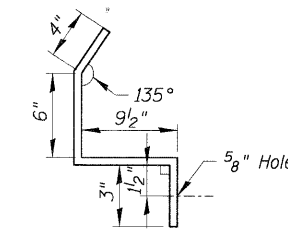


DRAIN ATTACHMENT PLAN VIEW



ATTACHMENT DETAILS

Notes:  
Pop Rivet the 1/8" x 1" Bar to Floor Drain. Weld or Securely Attach Rod to Both the Bracket and Bar Stiffener. Use 3/16" Stainless Steel Pop Rivets of Sufficient Length.  
Cost of Floor Drain Attachments is Included with "Floor Drains (Special)".



BRACKET DETAIL

FLOOR DRAIN DETAILS  
IL RTE 53 E. FRONTAGE ROAD  
OVER SALT CREEK  
F.A.U. ROUTE 2594  
SEC. 04-00091-00-BR  
COOK COUNTY  
STATION 21+81.13  
STRUCTURE NO. 016-1123

DESIGNED	200
CHECKED	EXAMINED ENGINEER OF BRIDGE DESIGN
DRAWN	PASSED ENGINEER OF BRIDGES AND STRUCTURES
CHECKED	

SHEET NO. S-9 SHEETS	F.A.U. RTE.	SECTION	COUNTY	TOTAL SHEETS	SHEET NO.
	2594	04-00091-00-BR	COOK	50	16
CONTRACT NO. 63471					
FED. ROAD DIST. NO. 1 ILLINOIS FED. AID PROJECT					