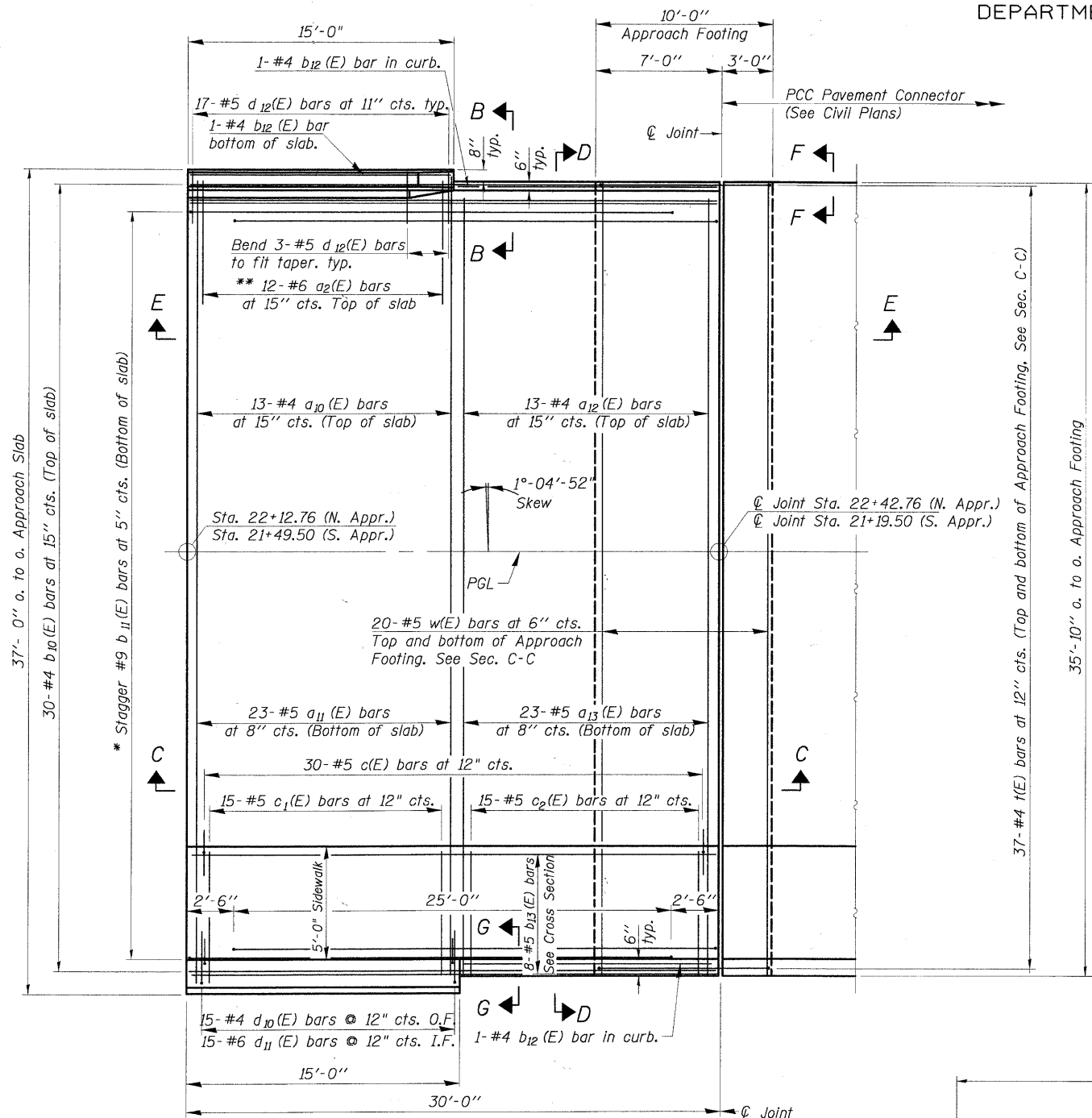


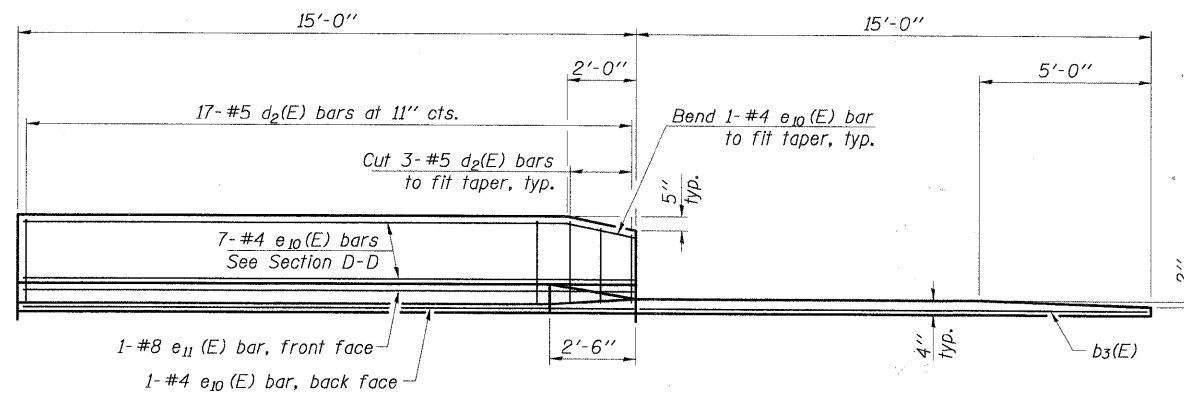
STATE OF ILLINOIS  
DEPARTMENT OF TRANSPORTATION

Notes:  
See sheet S-17 for Sections C-C & D-D.  
 $a_{10}(E)$ ,  $a_{11}(E)$ ,  $a_{12}(E)$ ,  $a_{13}(E)$  and  $w(E)$  bar spacings measured perpendicular to  $\bar{C}$  Rdwy.



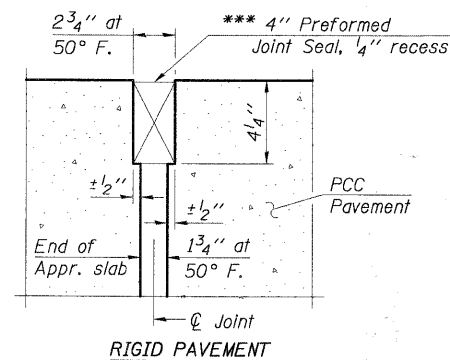
PLAN

\* Tilt #9  $b_{11}(E)$  bars as required to maintain clearance.

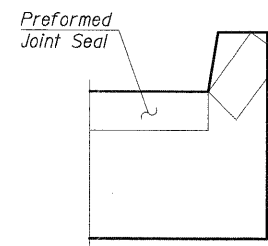


VIEW E-E

\*\*\* Cost included with Concrete Superstructure.

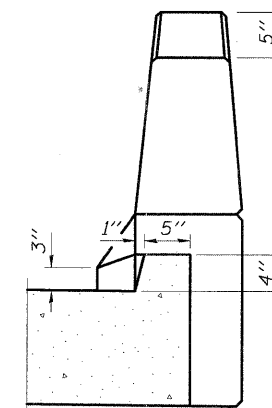


DETAIL A



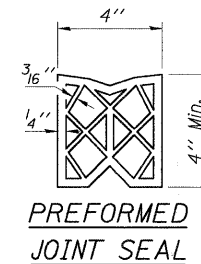
VIEW F-F

Angle Preformed Joint Seal at 45° at curbs when req'd for drainage.

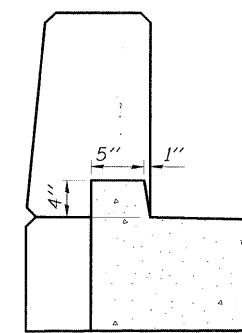


VIEW B-B

(Exit ends only)



PREFORMED JOINT SEAL



VIEW G-G

DESIGNED -	200
CHECKED -	EXAMINED
DRAWN -	PASSED
CHECKED -	

DESIGNED -	200
CHECKED -	EXAMINED
DRAWN -	PASSED
CHECKED -	

(Sheet 1 of 2)  
BRIDGE APPROACH SLAB DETAILS  
IL RTE 53 E. FRONTAGE ROAD  
OVER SALT CREEK  
F.A.U. ROUTE 2594  
SEC. 04-00091-00-BR  
COOK COUNTY  
STATION 21+81.13  
STRUCTURE NO. 016-1123

SHEET NO. S-16 SHEETS	F.A.U. RTE.	SECTION	COUNTY	TOTAL SHEETS	SHEET NO.
	2594	04-00091-00-BR	COOK	50	23
CONTRACT NO. 63471					
FED. ROAD DIST. NO. 1 ILLINOIS FED. AID PROJECT					